

DVE50A8600E

SAMSUNG

Samsung 7.5 cu. ft. Smart Dial Electric Dryer with Super Speed Dry



Features

- AI Powered Smart Dial
- Super Speed Dry
- Steam Sanitize+
- CleanGuard™
- Wi-Fi Connectivity¹
- MultiControl™
- ENERGY STAR® Certified
- Sensor Dry
- Vent Sensor
- Large 7.5 cu. ft. Capacity
- Interior Drum Light
- Reversible Door
- Lint Filter Indicator
- ADA Compliant²
- Stainless Steel Drum
- 19 Preset Drying Cycles
- 14 Options
- 5 Temperature Settings
- 9 Timed Dry Settings
- 4-Way Venting

Convenience

- Child Lock
- Filter Check Indicator

Rating



ENERGY STAR® Rated:
608 kWh/yr

Electrical Requirements

120 V / 240 V / 60 Hz
30 Amps

¹Requires wireless network, Samsung account and Samsung SmartThings App. The Samsung Smart Things App supports Android OS 4.0 (ICS) or later which is optimized for Samsung smartphones (Galaxy S and Galaxy Note series). This app also supports iOS 7 or later for iPhone models. Samsung SmartThings App available in App Store and Play Store.

²ADA Compliant when using 27" wide riser. (Riser model codes: WE272NV, WE272NW, WE272NC)

19 Preset Drying Cycles:

Refresh, Wrinkle Away, Steam Sanitize, Super Speed, Eco Normal, Normal, Heavy Duty, Towels, Permanent Press, Activewear, Bedding, Delicates, Wool, Shirts, Denim, Time Dry, Air Fluff, Quick Dry, Rack Dry

14 Options:

Mixed Load Bell, Wrinkle Prevent, AntiStatic, My Cycle, Smart Control, Eco Dry, Drum Light, Child Lock, Alarm, AI Pattern, Wi-Fi, Language, Vent Blockage Test, Factory Reset

5 Temperature Settings:

High, Medium, Medium Low, Low, Extra Low

5 Dry Levels:

Very Dry, More Dry, Normal Dry, Less Dry, Damp Dry

Warranty

One (1) Year Parts and Labor

Product Dimensions & Weight (WxHxD)

Dimensions: 27" x 38³/₄" x 31⁵/₁₆"

Weight: 123 lbs

Shipping Dimensions & Weight (WxHxD)

Dimensions: 29³/₈" x 42⁹/₁₆" x 34¹¹/₁₆"

Weight: 130 lbs

Available Colors



Ivory



Brushed Black

Electric Dryer	Model #	UPC Code
Ivory	DVE50A8600E	887276521558
Brushed Black	DVE50A8600V	887276517728
Gas Dryer		
Ivory	DVG50A8600E	887276517742
Brushed Black	DVG50A8600V	887276517759
Matching Washer		
Ivory	WF50A8600AE	887276518992
Brushed Black	WF50A8600AV	887276519005
Optional Accessories		
Ivory Pedestal	WE402NE	887276529073
Brushed Black/Black Stainless Steel Pedestal	WE402NV	887276310145
Brushed Black/Black Stainless Steel Riser	WE272NV	887276197630
MultiControl™	DV-MCK	887276528953
Stacking Kit	SKK-8K	887276344034
Vent Kit	DV-2A	887276146416

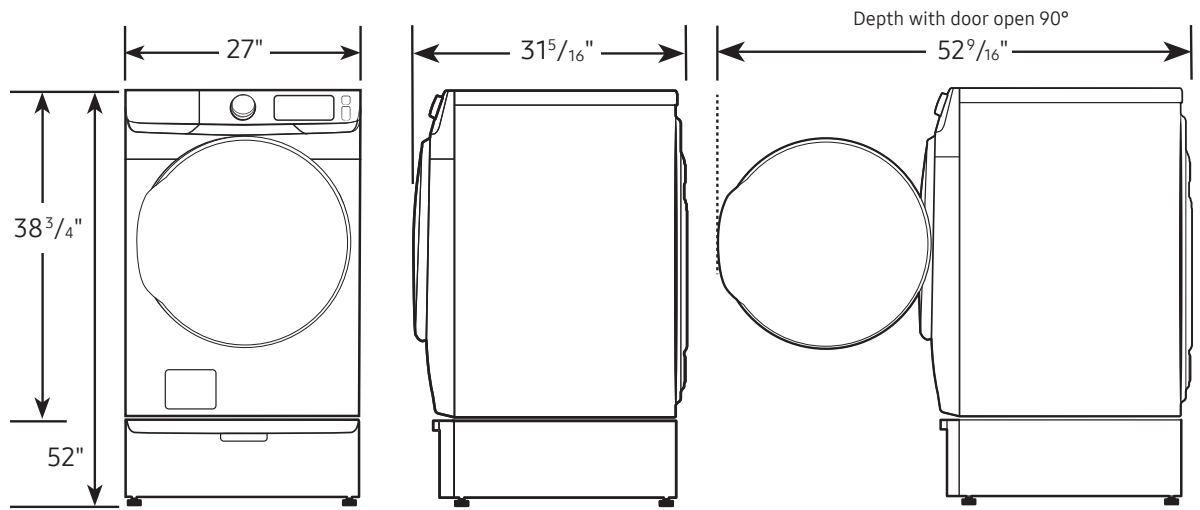
DVE50A8600E

SAMSUNG

Samsung 7.5 cu. ft. Smart Dial Electric Dryer with Super Speed Dry

Dimensions

Required dimensions for installation with pedestal:

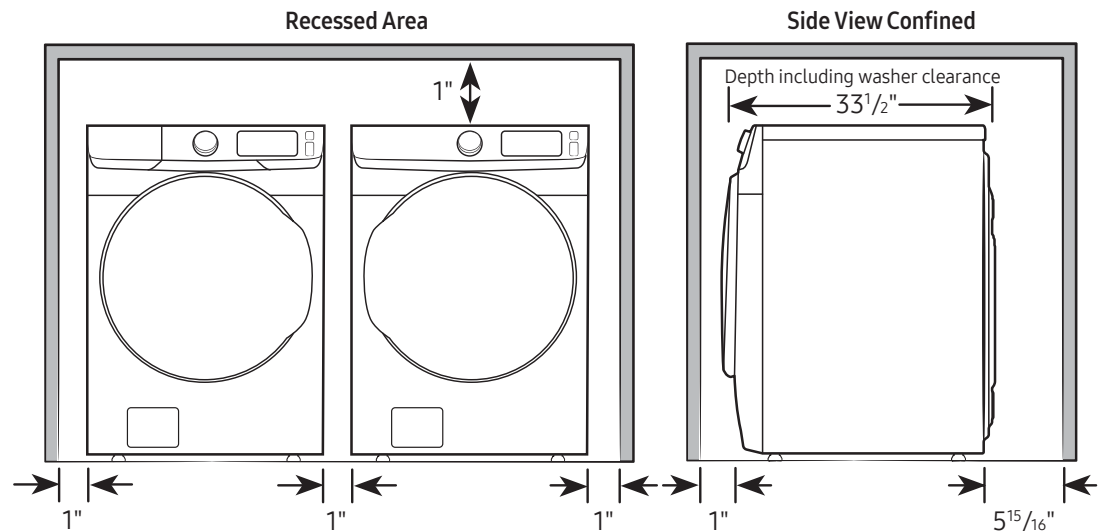


Installation Specifications – Side-by-Side or Stand-Alone

If the washer and dryer are installed together or the dryer alone, the closet front must have two unobstructed air openings for a combined minimum total area of 72-inch². Your washer alone does not require a specific air opening.

Alcove or closet installation

Minimum clearance for closet and alcove installations:



Connection Dimensions

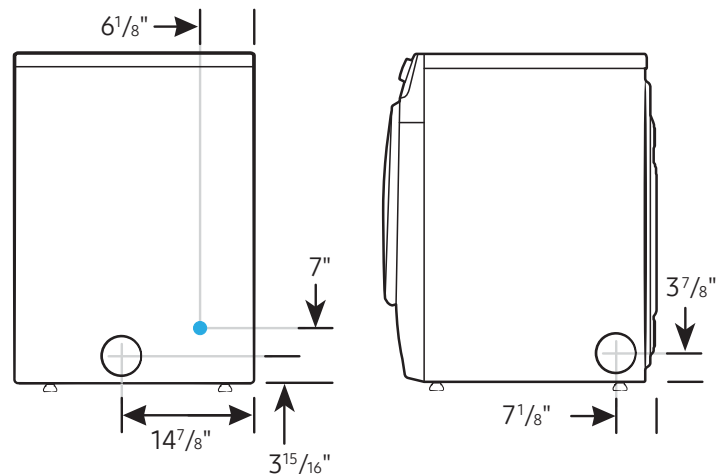
Back and side view of dryer

LEGEND:

● Cold Water Connection

Actual color may vary. Design, specifications, and color availability are subject to change without notice. Non-metric weights and measurements are approximate.

©2021 Samsung Electronics America, Inc., 85 Challenger Road, Ridgefield Park, NJ 07660. Tel: 800-SAMSUNG. samsung.com. Samsung is a registered trademark of Samsung Electronics Co., Ltd.



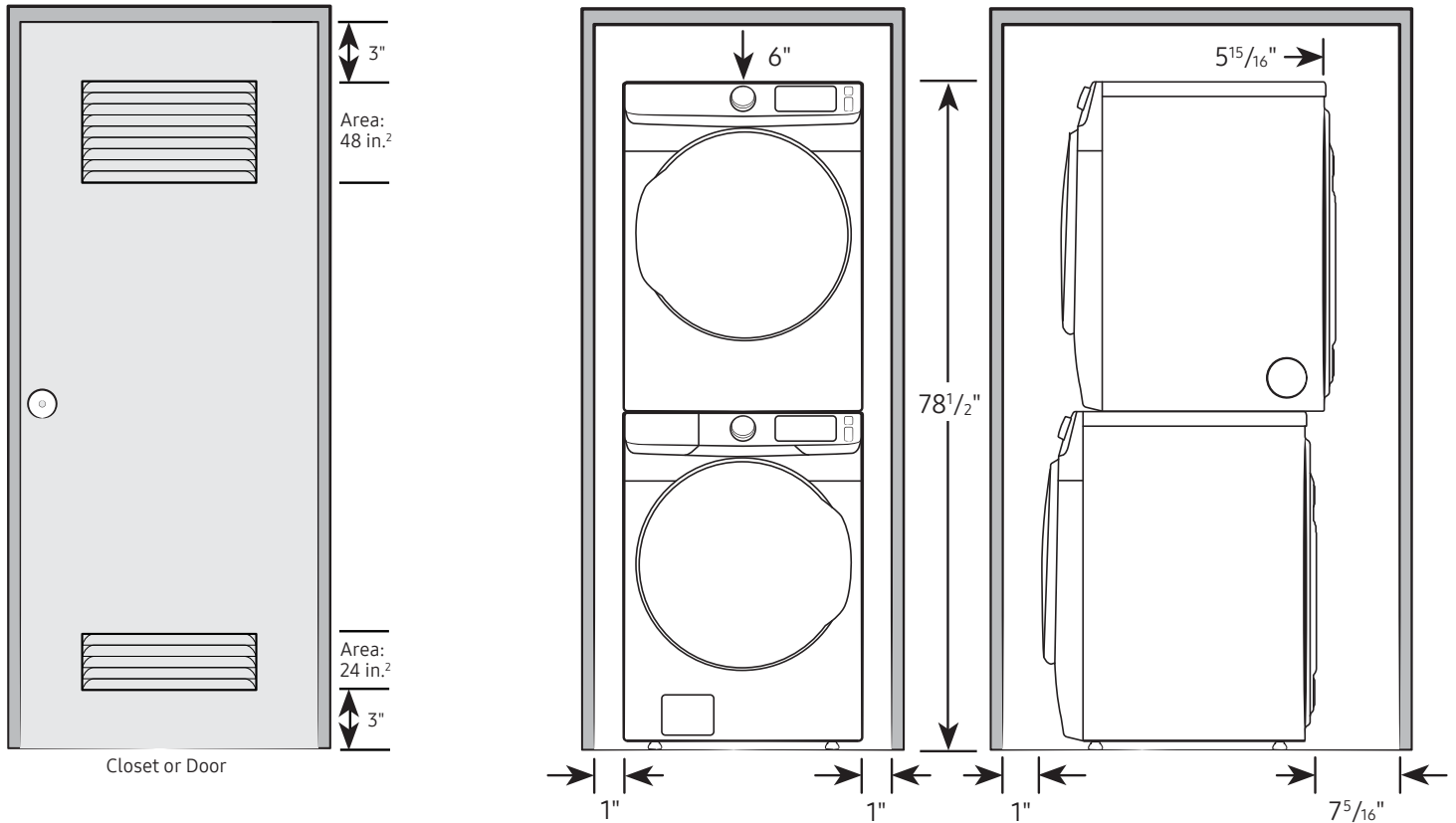
DVE50A8600E

SAMSUNG

Samsung 7.5 cu. ft. Smart Dial Electric Dryer with Super Speed Dry

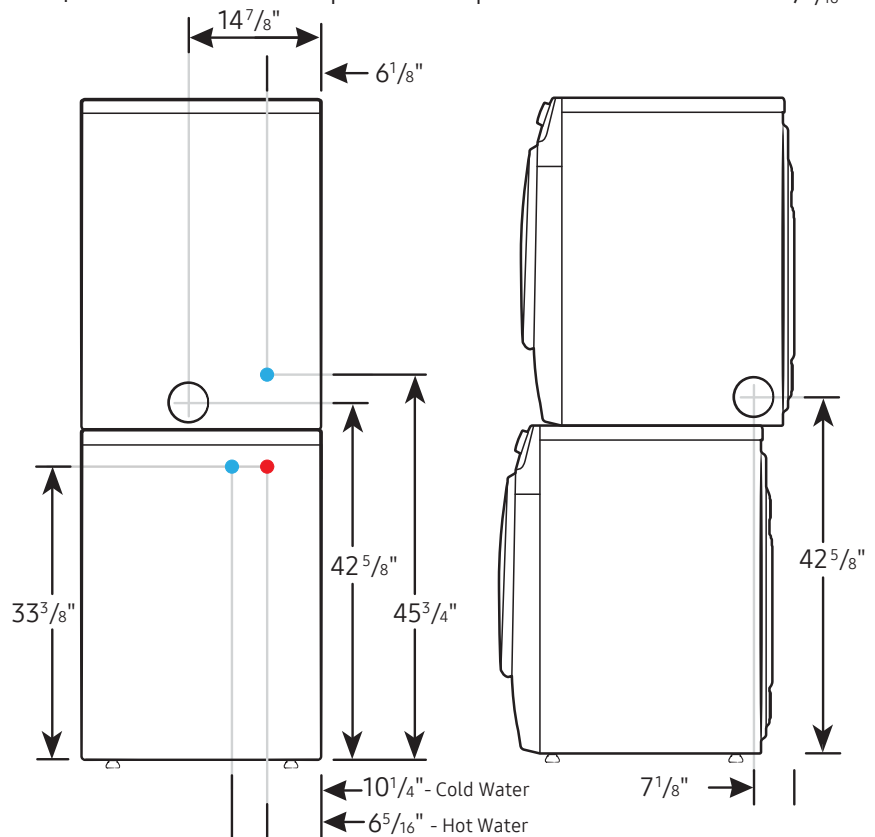
Installation Specifications – Stacked Pair

Clearances indicated are for stacked pairs. The closet front must have two unobstructed air openings for a combined minimum total area of 72-inch².



Connection Dimensions

Back and side views of stacked pair



LEGEND:

- Cold Water Connection
- Hot Water Connection

Actual color may vary. Design, specifications, and color availability are subject to change without notice. Non-metric weights and measurements are approximate.

©2021 Samsung Electronics America, Inc., 85 Challenger Road, Ridgefield Park, NJ 07660. Tel: 800-SAMSUNG. samsung.com. Samsung is a registered trademark of Samsung Electronics Co., Ltd.