

PROAIM 37.5" Boom Arm With Rapid Coupler (BP-BA-01)

Assembly Manual



What's In The Box

Please inspect the contents of your shipped package to ensure you have received everything that is listed below.



Boom Arm w Rapid Coupler



5/8"- 1/4" Converter



Ball Head

5/8"- 3/8" Converter

All rights reserved.

No part of this document may be reproduced, stored in a retrieval system, or transmitted by any form or by any means, electronic, mechanical, photo-copying, recording, or otherwise, except as may be expressly permitted by the applicable copyright statutes or in writing by the Publisher.

INDEX

Sr. No	Particulars	Page No.
1.	Boom Arm W/Rapid Coupler Setup	3
2.	Rapid Coupler Assembly	3
3.	Boom Arm Mounting on Hex Mounting Post	3
4.	Rapid Coupler Rotation	4-5
5.	Length Adjustment of Boom Arm	5-6
6.	Ball Head Mounting	7
7.	Converter (5/8 - 3/4") Mounting	6-7
8.	Ball Head Mounting	7
9.	Converter Rotation	8
10.	Mic Mounting	8
11.	Final Setup	9

Boom Arm W/Rapid Coupler Setup

Rapid Coupler Assembly

- Loosen the knob of the rapid coupler and rotate it.



- Re-tighten its knob to secure it at the desired position.



Boom Arm Mounting on Hex Mounting Post

- Pull the locking cap of the Hex Stand (Not Included) backward.
- Then, mount the Boom Arm on the Hex Stand.



- After mounting the Boom Arm, re-tighten the knob to secure it.



NOTE: Compatible with a tripod stand featuring a hex mounting post, the boom arm seamlessly integrates into your existing equipment setup.



Rapid Coupler Rotation

- Loosen the knob of the rapid coupler.



- Now, adjust the position of the boom arm in any direction at your convenience.

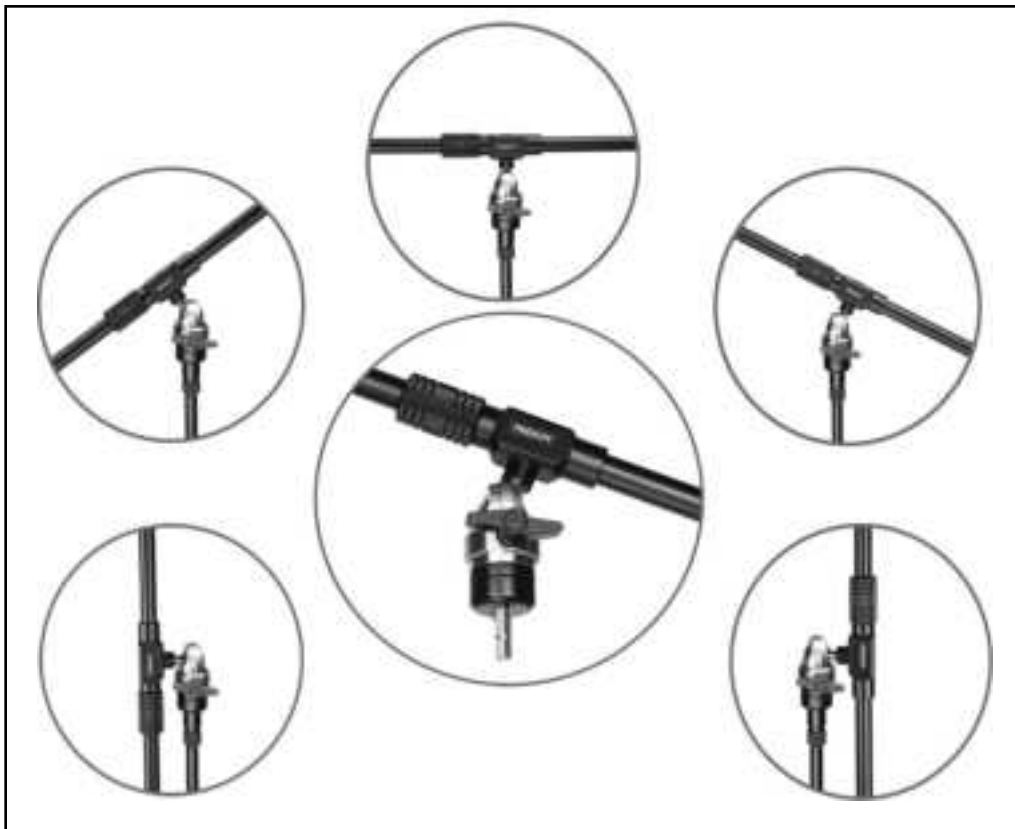
Feature: The ball-swivel mechanism provides a smooth, quiet, and stable range of motion ($360^\circ \times 220^\circ$), allowing you to position the Boom Arm precisely for controlled and centered motion.



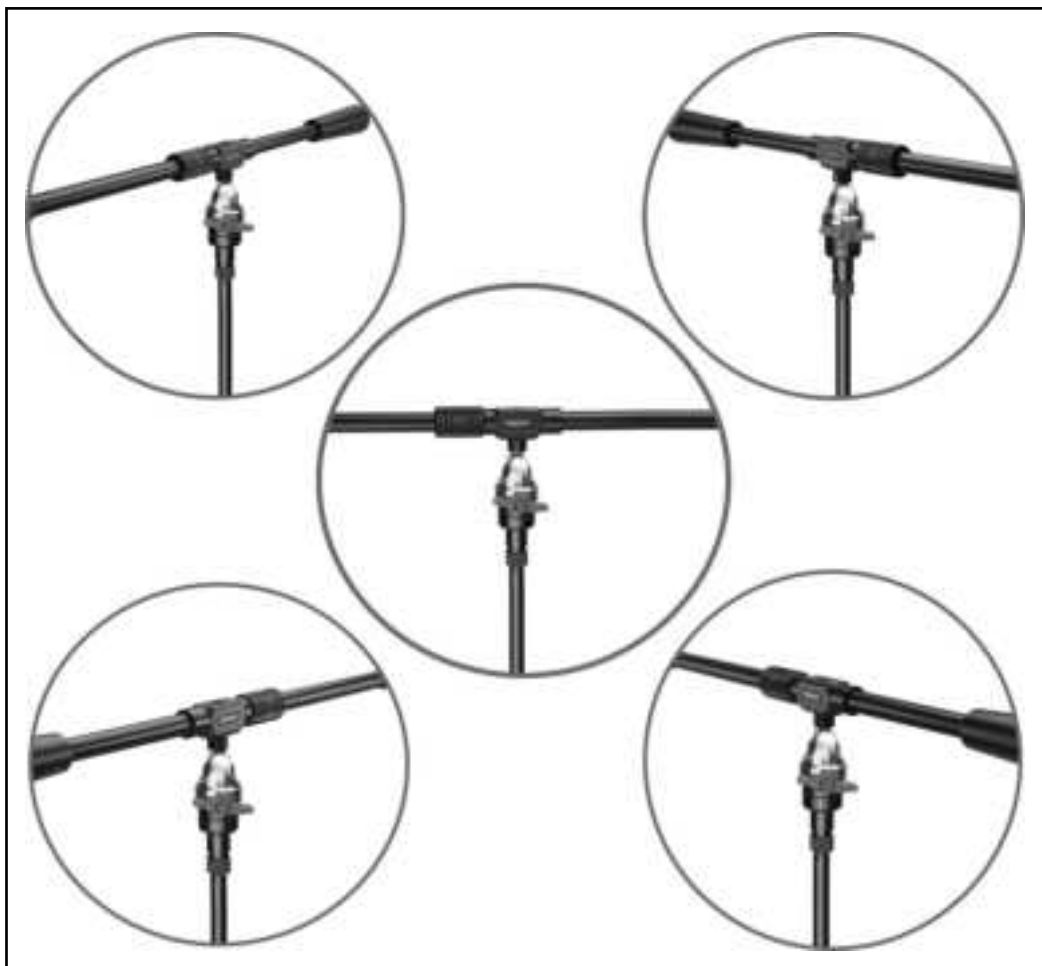
- Once the Boom Arm is at the desired position, re-tighten its knob to secure it at place.



220° Range of Centred Motion

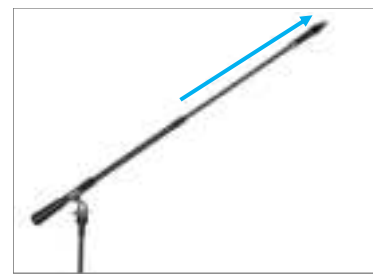


360° Range of Centred Motion



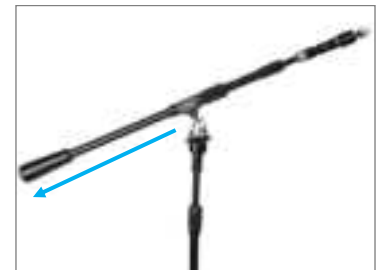
Length Adjustment of Boom Arm

- Rotate the top clutch of the Boom Arm and loosen it.
- Then, slide the Boom Arm in a forward/backward direction.
- Re-tighten the clutch to secure the Boom Arm at the desired length.





- Rotate the bottom clutch of the Boom Arm and loosen it.
- Then, slide the Boom Arm in a forward/backward direction.



- Re-tighten the clutch to secure the Boom Arm at the desired length.

Feature: Featuring a 1kg /2.2 lb counterweight at the end, this boom arm ensures stability, especially when dealing with heavier equipment, providing a steady and reliable performance you can trust.





Ball Head Mounting

- Pull the locking cap of the Boom Arm's tip backward and insert the Ball Head.

Feature: The boom arm's tip has a locking cap that allows you to quickly attach or detach equipment.



Feature: The ball head at the tip of the Boom Arm supports various thread sizes, including 5/8" for mic mounting.



Converter (5/8-3/4") Mounting

- Now, remove the 5/8" -3/8" converter from the Ball Head.



Feature: It includes converters (5/8" -3/8" & 5/8" -1/4") for attaching a range of equipment, ensuring flexibility in your setup.

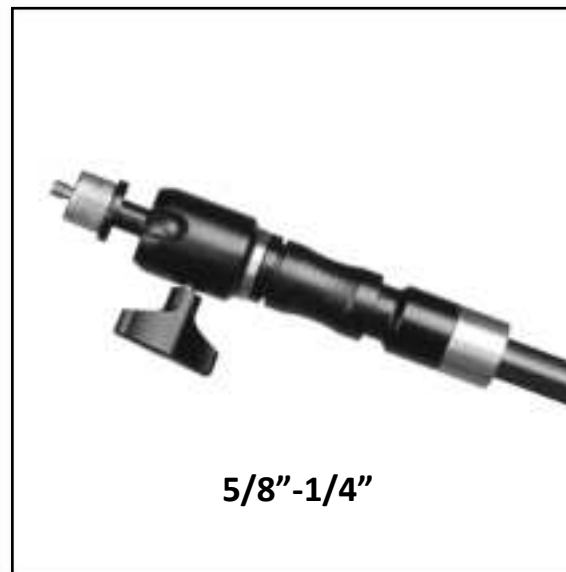


- Mount the 5/8" - 3/4" converter onto the Ball Head.



Versatile Mounting

Ball head w 5/8" - 3/8" & 5/8" - 1/4" Converter



Converter Rotation

- Loosen the Ball Head knob and set the converter at the desired position.

NOTE: Use Knob to set the position of the Blimp.

- Now, set the converter at the desired position.



- Once the converter is at the desired position, re-tighten the knob securely.



Mic Mounting

- Mount the Mic (**Not Included**) onto the Converter.
- Rotate the mic 360° rotation to tighten it. .



- Mic is securely mounted on the converter.
- Your setup is ready to use.



**YOUR PROAIM 37.5" BOOM ARM WITH RAPID COUPLER
ALL DRESSED UP AND READY TO GO!**



(SHOWN WITH OPTIONAL ACCESSORIES)

Warranty: We offer one year warranty for our products from date of purchase. Within this period of time, we will repair it without charge for labor or parts. Warranty doesn't cover transportation costs nor does it cover a product subjected to misuse or accidental damage. Warranty repairs are subjected to inspection and evaluation by us.

Liability: We are not liable for damage caused by products that we do not supply or from mishandling in transit, accident, misuse, neglect, lack of care of the product, or service by anyone other than our company.

Contact Us: In case of any kind of dissatisfaction, please Contact us immediately and we promise our utmost support and care until you use our product.