

# DW/P

DRINKING WATER PANEL

**Copyright** © 2024 Xylem Analytics Germany GmbH  
Printed in Germany.

# Inhaltsverzeichnis

<b>1</b>	<b>Overview</b>	<b>5</b>
1.1	How to use this operating manual	5
1.2	Drinking water panel DW/P	6
1.2.1	Design of the system	6
1.2.2	Functional units on the drinking water panel	7
1.2.3	Components in the liquid circle	9
1.2.4	Components outside of the liquid circle	10
<b>2</b>	<b>Safety instructions</b>	<b>11</b>
2.1	Safety information	11
2.1.1	Safety information in the operating manual	11
2.1.2	Safety signs on the product	11
2.1.3	Further documents providing safety information	11
2.2	Safe operation	12
2.2.1	Authorized use	12
2.2.2	Requirements for safe operation	12
2.2.3	Unauthorized use	12
2.3	User qualification	12
2.4	Personal protective equipment (PPE)	13
<b>3</b>	<b>Installation</b>	<b>14</b>
3.1	Scope of delivery	14
3.2	Basic principles of installation	14
3.2.1	General installation instructions	14
3.2.2	Steps for installation	15
3.2.3	Mounting of the DW/P drinking water panel	16
3.2.4	Connecting the IQ SENSOR NET modules	18
3.2.5	Preparing the turbidimeter for operation	18
3.2.6	Connecting the turbidimeter to the MIQ/IC2 module	18
3.2.7	Installing the power supply	19
3.2.8	Installing the chlorine sensor into the D 19 flow through armature	20
3.2.9	Installing the sensor in the D 17 flow through armature	22
3.2.10	Connecting the sensors to the MIQ/IDS module	23
3.2.11	Connection of sample outlet and sample inlet	24
3.2.12	Tidying up the cables	24
3.2.13	Providing sample flow at the sample inlet	25
3.3	Starting the measuring operation	26

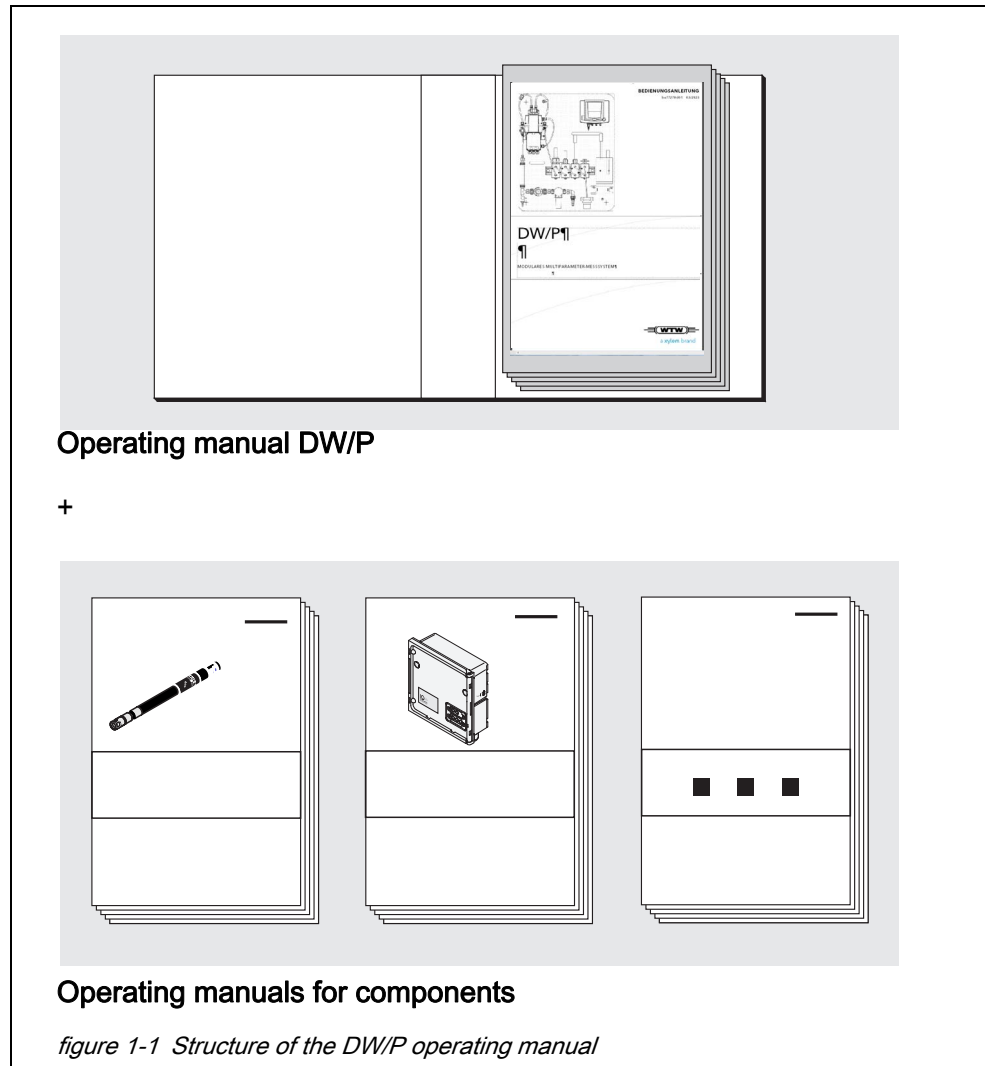
---

<b>4</b>	<b>Maintenance and cleaning</b>	<b>27</b>
4.1	Maintenance	27
4.2	Cleaning	27
4.3	System expansion	28
4.3.1	IQ SENSOR NET	28
4.3.2	Flow through armatures	28
4.3.3	Connect the tube to the click screw connection of the flow through armature	30
<b>5</b>	<b>Technical data</b>	<b>31</b>
5.1	Drinking water panel	31
5.2	Components	32
5.3	Components with power supply	35
<b>6</b>	<b>Accessories, maintenance equipment and replacement parts</b>	<b>36</b>
<b>7</b>	<b>Disposal</b>	<b>37</b>

# 1 Overview

## 1.1 How to use this operating manual

Structure of the DW/P operating manual



The operating manual has a modular structure. It consists of the operating manual for the drinking water panel DW/P and the operating manuals of all the components used.

## 1.2 Drinking water panel DW/P

### 1.2.1 Design of the system

The DW/P drinking water panel is a modular, preassembled, and preconfigured measuring system for online analysis. The components of the drinking water panel can be assembled individually.

#### Variants of the drinking water panel

Variants	Equipping option
DW/P	Without turbidimeter
DW/P IR	Infrared turbidimeter
DW/P WL	White light turbidimeter

Further components of the drinking water panel are variable, e.g.:

Component	Equipping option
Flow through armature	Type: D 19, D 17 Number: 1- 4
MIQ/IDS	Type: MIQ/IDS2 or MIQ/IDS4 Number: 0 - 1

#### Measured parameters

The drinking water panel can be configured for the following measuring parameters:

- Turbidimeter
  - Turbidity
- MIQ/IDS
  - Chlorine
  - pH
  - ORP
  - Conductivity
  - Oxygen

1.2.2 Functional units on the drinking water panel

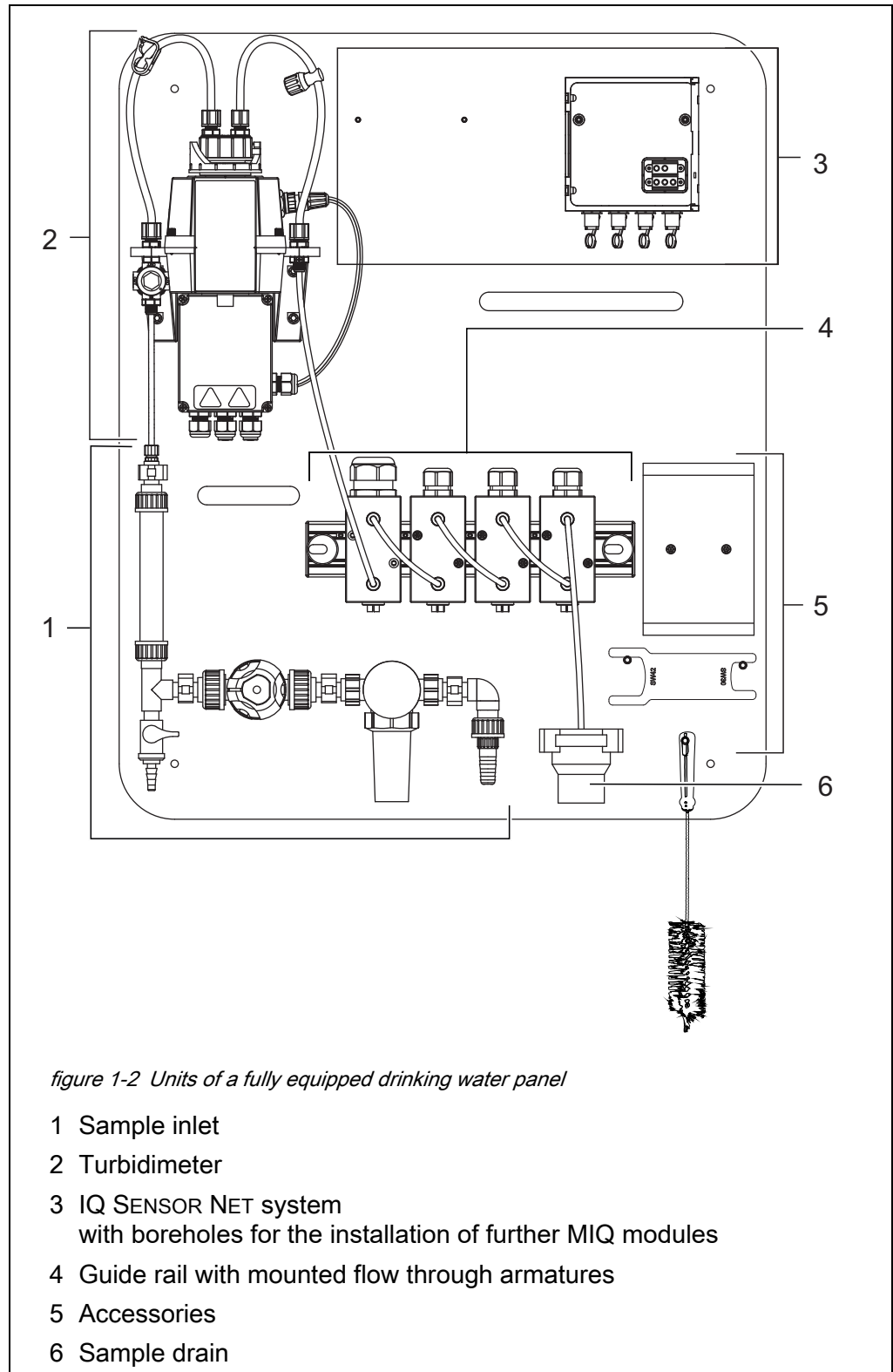


figure 1-2 Units of a fully equipped drinking water panel

- 1 Sample inlet
- 2 Turbidimeter
- 3 IQ SENSOR NET system  
with boreholes for the installation of further MIQ modules
- 4 Guide rail with mounted flow through armatures
- 5 Accessories
- 6 Sample drain

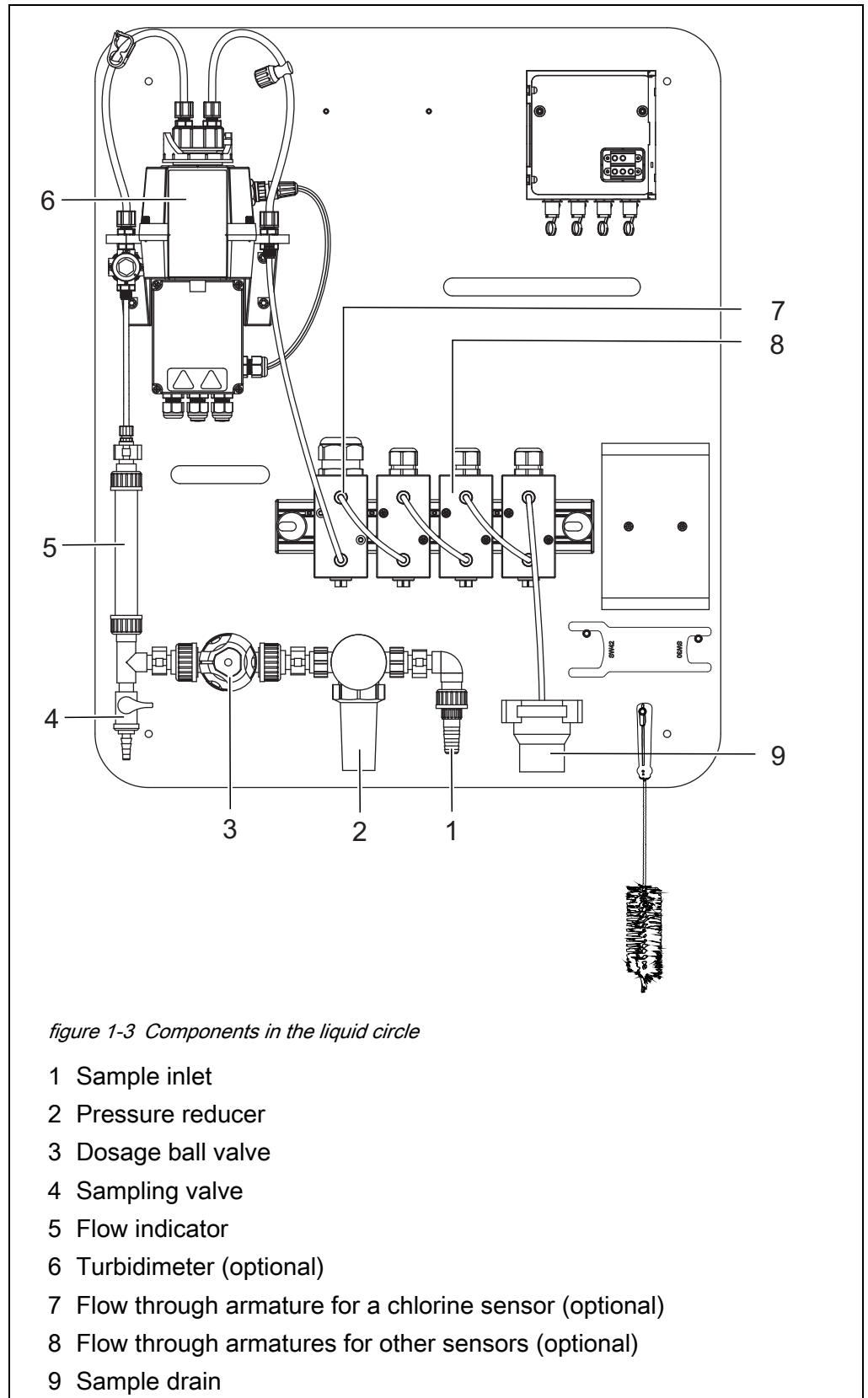
**Details on the basic units**

The basic units of the drinking water panel consist of other components. Specified is the maximum equipment. Some components are optional, according to the selected configuration:

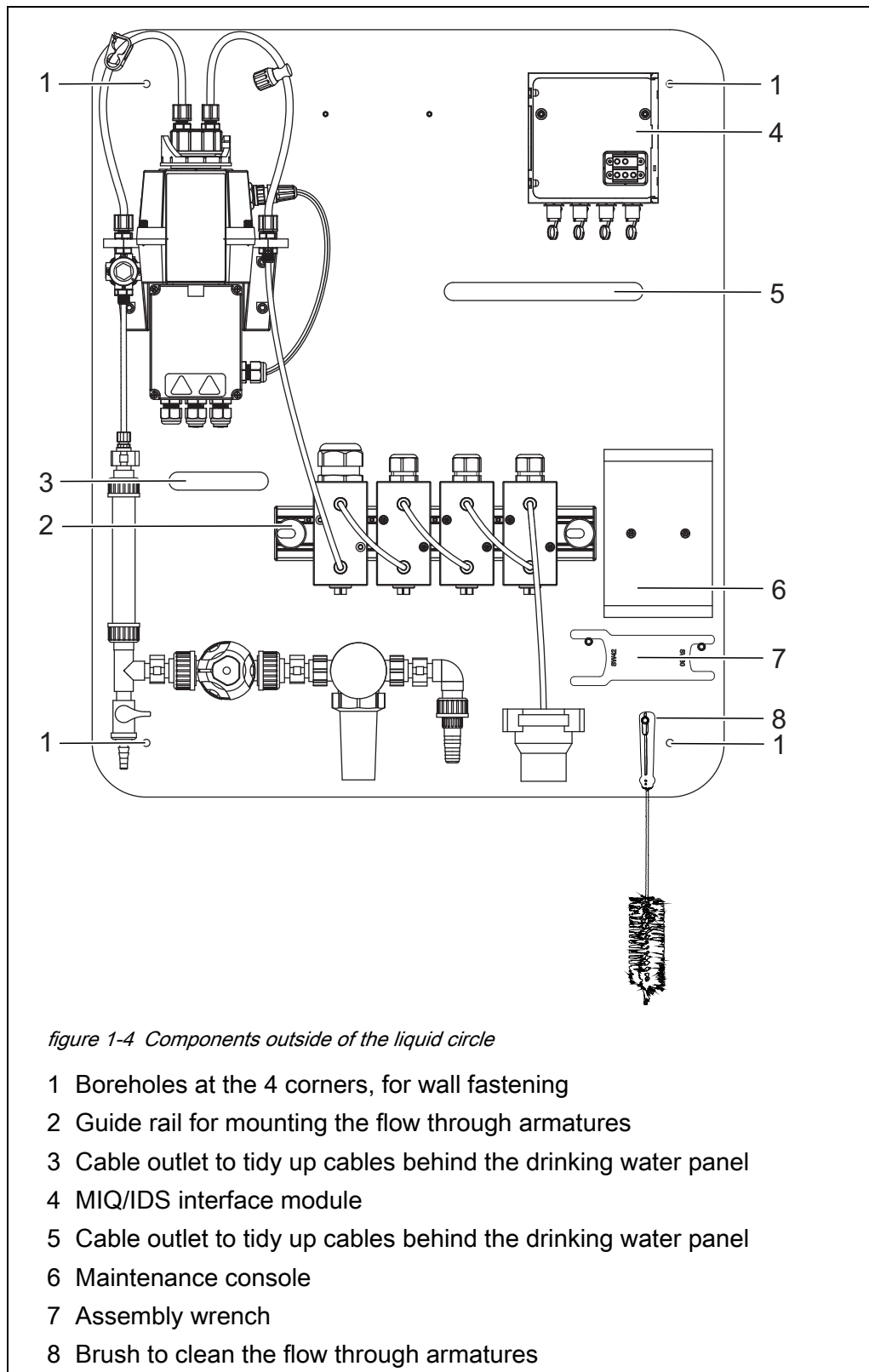
- 1 Sample inlet
  - Connection for the sample inlet
  - Manually adjustable pressure reducer (Pr-DN10)
  - Dosing ball valve (Do-DN10)
  - Sampling valve
  - Flow indicator
- 2 Turbidity measurement
  - Turbidimeter (Turb PLUS 2000)
- 3 IQ SENSOR NET system
  - MIQ/IDS module for connecting 2 or 4 IDS sensors
  - System components (controller and terminal)
  - Other components (modules and sensors)
- 4 Flow through armatures
  - Guide rail for mounting flow through armatures
  - Flow through armatures (1 to 4)
    - e.g. D 19 for IDS chlorine sensors
    - e.g. D 17 for IDS sensors
- 5 Accessories
  - Maintenance console (MTC/C)
  - Assembly wrench (FS DWP)  
for the cable glands at the flow through armatures
  - Brush to clean the flow through armatures
- 6 Sample drain
  - Sample outlet funnel
  - Lid for sample outlet funnel



1.2.3 Components in the liquid circle



1.2.4 Components outside of the liquid circle



## 2 Safety instructions

### 2.1 Safety information

#### 2.1.1 Safety information in the operating manual

This operating manual provides important information on the safe operation of the product. Read this operating manual thoroughly and make yourself familiar with the product before putting it into operation or working with it. The operating manual must be kept in the vicinity of the product so you can always find the information you need.

Important safety instructions are highlighted in this operating manual. They are indicated by the warning symbol (triangle) in the left column. The signal word (e.g. "CAUTION") indicates the level of danger:



#### **WARNING**

indicates a possibly dangerous situation that can lead to serious (irreversible) injury or death if the safety instruction is not followed.



#### **CAUTION**

indicates a possibly dangerous situation that can lead to slight (reversible) injury if the safety instruction is not followed.

#### **NOTE**

*indicates a situation where goods might be damaged if the actions mentioned are not taken.*

#### 2.1.2 Safety signs on the product

Note all labels, information signs and safety symbols on the product. A warning symbol (triangle) without text refers to safety information in this operating manual.

#### 2.1.3 Further documents providing safety information

The following documents provide additional information, which you should observe for your safety when working with the measuring system:

- Operating manuals of other components of the DW/P system (power packs, controller, accessories, sensors, measuring instruments)
- Safety datasheets of calibration and maintenance equipment (e.g. cleaning solutions).

## 2.2 Safe operation

### 2.2.1 Authorized use

The authorized use of the drinking water panel DW/P is exclusively for drinking water and swimming pool water.

Only the operation and running of the Alyza IQ according to the instructions and technical specifications given in this operating manual is authorized (see chapter 6 ACCESSORIES, MAINTENANCE EQUIPMENT AND REPLACEMENT PARTS). Any other use is considered unauthorized.

### 2.2.2 Requirements for safe operation

Note the following points for safe operation:

- The product may only be operated according to the authorized use specified above.
- The product may only be operated under the environmental conditions mentioned in this operating manual.
- The product may only be supplied with power by the energy sources mentioned in this operating manual.
- The product may only be opened if this is explicitly described in this operating manual (example: connecting electrical lines to the terminal strip).

### 2.2.3 Unauthorized use

The product must not be put into operation if:

- it is visibly damaged (e.g. after being transported)
- it was stored under adverse conditions for a lengthy period of time (storing conditions, see chapter 6 ACCESSORIES, MAINTENANCE EQUIPMENT AND REPLACEMENT PARTS).

## 2.3 User qualification

#### Target group

The drinking water panel was developed for online analysis. Some maintenance activities, e.g. changing the electrolyte of the chlorine combination electrode, require the safe handling of chemicals. Thus, we assume that the maintenance personnel is familiar with the necessary precautions to take when dealing with chemicals as a result of their professional training and experience.

#### Special user qualifications

The following installation activities may only be performed by a qualified electrician:

- Connection of the turbidimeter to the power supply.
- Connection of the IQ SENSOR NET to the power supply.
- Connection of external, line voltage-carrying circuits to relay contacts (see module manual of the relay output module).

## 2.4 Personal protective equipment (PPE)

The PPE includes clothing and other equipment that is used to protect you against risks at your place of work. You must always wear your PPE while doing dangerous jobs to avoid injuries or damage to your health.




Personal protective equipment	Typical examples
Protective goggles	
Chemical resistant gloves	
Safety shoes	

figure 2-1 Personal protective equipment



It is the duty of the operator to provide all users with the required PPE. The PPE must fulfill the national standards and laws.

## 3 Installation

### 3.1 Scope of delivery

- DW/P drinking water panel with mounted components
  - Inlet section
    - Pipes and glands
    - Pressure reducer
    - Sampling valve
    - Flow indicator
  - Turbidimeter, depending on the configuration
  - MIQ/IDS2 or MIQ/IDS4, depending on the configuration
  - Guide rail for mounting the flow through armatures
  - Flow through armatures, depending on the configuration
  - Maintenance console MTC/C
  - Outlet section
  - 8 spacers (20 mm) for wall mounting
- Components not mounted
  - Assembly wrench FS DWP
  - Cleaning brush
- Operating manuals
  - Drinking water panel
  - Components mounted

### 3.2 Basic principles of installation

#### 3.2.1 General installation instructions

Pay attention to the following points during installation:

- The drinking water panel is shipped in protective transport packaging. We recommend: Keep the packaging material (e.g. for a return shipment). The original packaging protects the drinking water panel from transport damage.
- Due to its weight, the drinking water panel must always be carried by two people.
- Wear safety shoes for transport, installation and mounting work (see section 2.4 PERSONAL PROTECTIVE EQUIPMENT (PPE)).
- Mount the drinking water panel in a straight position (check, for example, with a water level) to ensure that the liquids can drain off optimally.

### 3.2.2 Steps for installation

1. Install the drinking water panel  
(see section 3.2.3 MOUNTING OF THE DW/P DRINKING WATER PANEL).
2. Connect any IQ SENSOR NET modules  
(see section 3.2.4 CONNECTING THE IQ SENSOR NET MODULES).
3. Prepare the turbidimeter for operation  
(see section 3.2.5 PREPARING THE TURBIDIMETER FOR OPERATION)
4. Connect the turbidimeter to the MIQ/IC2 module  
(see section 3.2.6 CONNECTING THE TURBIDIMETER TO THE MIQ/IC2 MODULE)
5. Supply the components with power  
(see section 3.2.7 INSTALLING THE POWER SUPPLY).
6. Install the chlorine sensor into the D 19 flow through armature  
(see section 3.2.8 INSTALLING THE CHLORINE SENSOR INTO THE D 19 FLOW THROUGH ARMATURE).
7. Install the sensor into the D 17 flow through armature  
(see section 3.2.9 INSTALLING THE SENSOR IN THE D 17 FLOW THROUGH ARMATURE).
8. Connect the sensors to the MIQ/IDS module  
(see section 3.2.10 CONNECTING THE SENSORS TO THE MIQ/IDS MODULE).
9. Connection of the inlet and outlet  
(see section 3.2.11 CONNECTION OF SAMPLE OUTLET AND SAMPLE INLET).
10. Tidy up the cables  
(see section 3.2.12 TIDYING UP THE CABLES).
11. Provide the sample flow  
(see section 3.2.13 PROVIDING SAMPLE FLOW AT THE SAMPLE INLET).
12. Starting the measuring operation  
(see section 3.3 STARTING THE MEASURING OPERATION).

### 3.2.3 Mounting of the DW/P drinking water panel

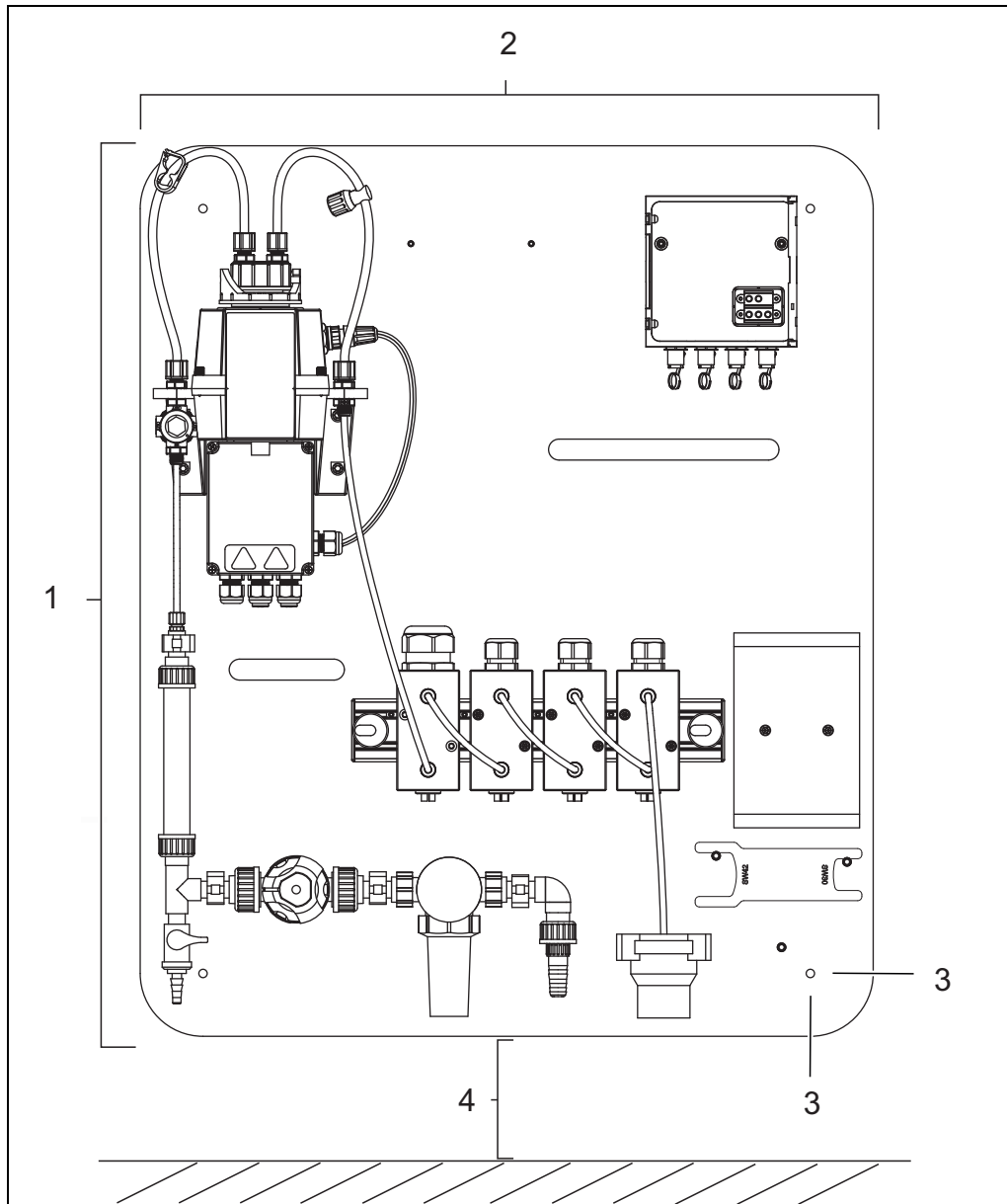


figure 3-1 Dimensions

- 1 Height: 850 mm
- 2 Width: 700 mm
- 3 Distance from the edge (4 holes at the corners): 60 mm
- 4 Recommendation for distance under the drinking water panel: approx. 500 mm

**Mounting location** The drinking water panel is designed for wall mounting. At the corners of the drinking water panel are four holes for wall mounting.



**NOTE**

*The DW/P drinking water panel may only be installed in closed, frost-free rooms.*



Other requirements for the mounting location:

- Free wall (at least 850 x 700 mm, see figure 3-1)
- Distance under the drinking water panel  
Recommendation: approx. 50 cm
- Distance of the drinking water panel from the wall:  
Recommendation: 40 mm  
(Long cables can be tidied up behind the drinking water panel.)  
Spacers: See section 3.1 SCOPE OF DELIVERY.
- Do not place or operate any water-sensitive devices below the drinking water panel.

**Mounting****CAUTION**

Risk of injury when transporting heavy loads.

Wear safety shoes for transport, installation and mounting work (see section 2.4 Personal protective equipment (PPE)).

Transport the drinking water panel with two people.

1. Select an easily accessible mounting location for the drinking water panel.
2. Drill holes at the correct distances (see figure 3-1) in the wall intended for mounting.
3. Select 4 screws:
  - suitable for the material of the wall
  - suitable diameter (8 mm)  
for the spacers
  - suitable length (approx. 10 cm)  
(Recommendation: 40 mm distance from the wall)
4. Insert the screws through the holes in the drinking water panel.
5. Place two spacers on each screw.



The spacers are included in the scope of delivery.

One spacer is 20 mm long.

The spacers are suitable for screws with a diameter of 8 mm.

6. Securely fasten the drinking water panel.  
Make sure that the drinking water panel does not bend.

### 3.2.4 Connecting the IQ SENSOR NET modules

Any modules included in the scope of delivery (e.g. MIQ/IDS) have to be connected with the IQ SENSOR NET. In most applications, the connection as a module stack is the simplest way of connecting the IQ SENSOR NET modules.

For details on the connection of IQ SENSOR NET modules, see system operating manual IQ SENSOR NET.

### 3.2.5 Preparing the turbidimeter for operation

General information on commissioning (see operating manual of the turbidimeter).

For initial commissioning:

1. Remove the desiccant pouch from the cell of the turbidimeter and dispose of it.
2. Insert the enclosed desiccant pouch into the base of the instrument (see operating instructions for turbidimeter)

### 3.2.6 Connecting the turbidimeter to the MIQ/IC2 module

Measuring instruments that have a current output can be connected to the IQ SENSOR NET with the MIQ/IC2 module.



Cables with a diameter of 5.8 mm to 10 mm are suitable for connecting the turbidimeter to the MIQ/IC2 module (see MIQ/IC2 and turbidimeter operating manuals)

1. Connect the current output on the turbidimeter to the current input on the MIQ/IC2 module.  
Guide the cable of the power supply through the cable opening of the drinking water panel.

### 3.2.7 Installing the power supply

Installation activities for the power supply may only be performed by a qualified electrician:

The following components have their own power supply:

- Turbidimeter
- IQ SENSOR NET



The IQ SENSOR NET supplies the components of the IQ SENSOR NET with power. The power requirement of all components in the IQ SENSOR NET determines the number of power supply modules needed.

For the power supply of the IQ SENSOR NET within the framework of the drinking water panel, one module with power supply is sufficient.

To supply more components of the IQ SENSOR NET with power, a power rating is required. This determines the number of power supply modules required (see system operating manual of the IQ SENSOR NET).

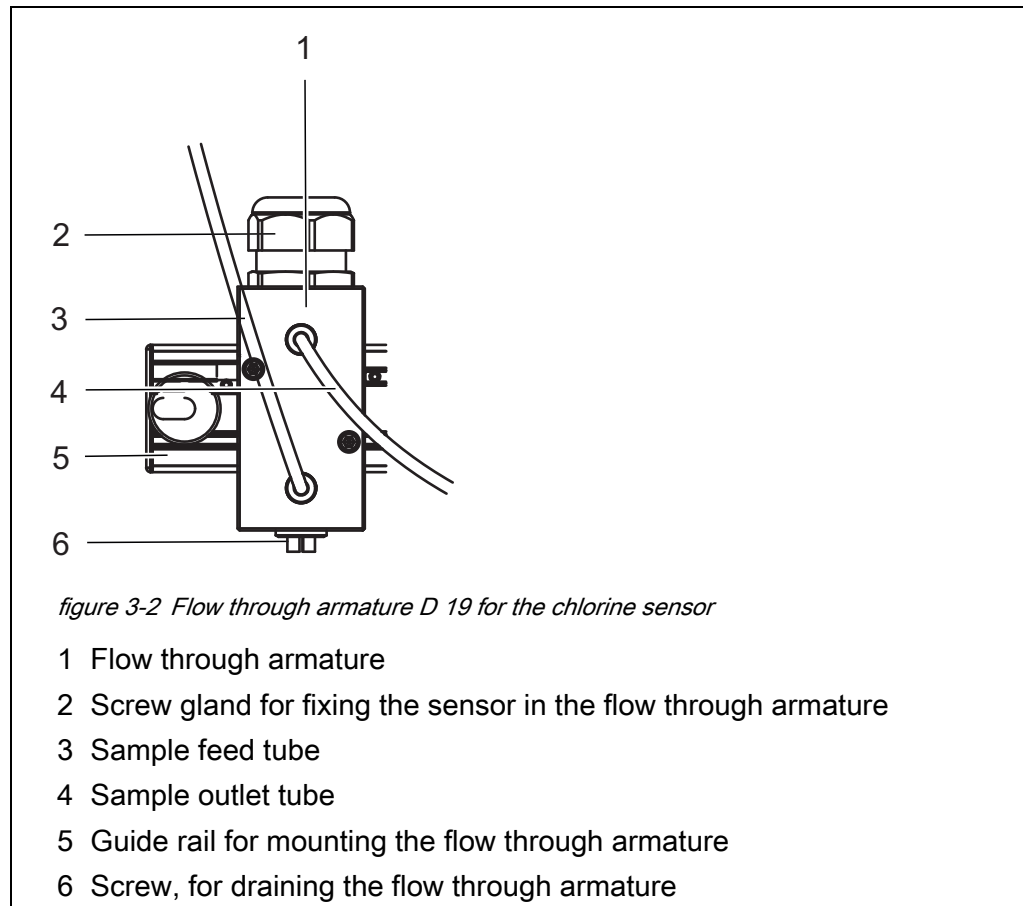
For details on the installation of the power supply, see the operating manuals of the components.

1. Connect the power supply for the turbidimeter (see operating manual for the turbidimeter). Guide the cable of the power supply through the cable opening of the drinking water panel.
2. Connect the power supply for the IQ SENSOR NET (see operating manual for the power supply module or operating manual of the DIQ/S 28X). Guide the cable of the power supply through the cable opening of the drinking water panel.

### 3.2.8 Installing the chlorine sensor into the D 19 flow through armature

Before installing a sensor in a flow through armature:

Connect the chlorine sensor to the ADA CI/IDS adapter (see operating manual of the chlorine sensor).



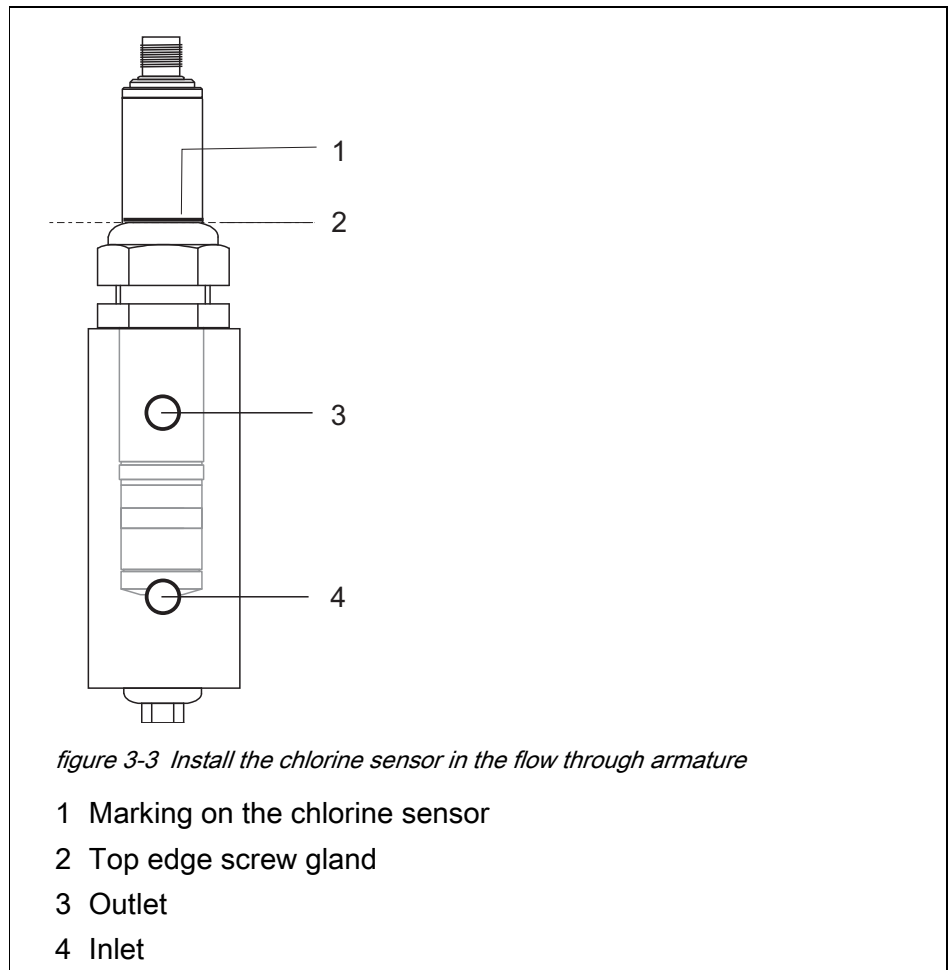
#### Installation of the chlorine sensor

1. If the drinking water panel was in operation:  
Stop the sample feed.
2. Drain the flow through armature.



The drinking water panel contains the installation wrench for the screw glands of the flow through armatures.

3. Screw on the screw gland with the installation wrench.
4. Loosely push the screw gland of the flow through armature onto the sensor.
5. Insert the sensor with the screw gland in the flow through armature.



6. Align the marking (1) on the sensor with the top edge (2) of the screw gland.
7. Tighten the screw gland by hand.
8. Tighten the screw gland approx. a quarter turn further with the installation wrench.

**NOTE**

*Make sure that the sensor is firmly in place.*

*A sensor that is fastened too loosely can be pressed out of the flow through armature when pressure is applied.*

**NOTE**

*Always open the inlet slowly for commissioning. A strong pressure surge can destroy the membrane.*

### 3.2.9 Installing the sensor in the D 17 flow through armature

Before installing a sensor in a flow through armature:

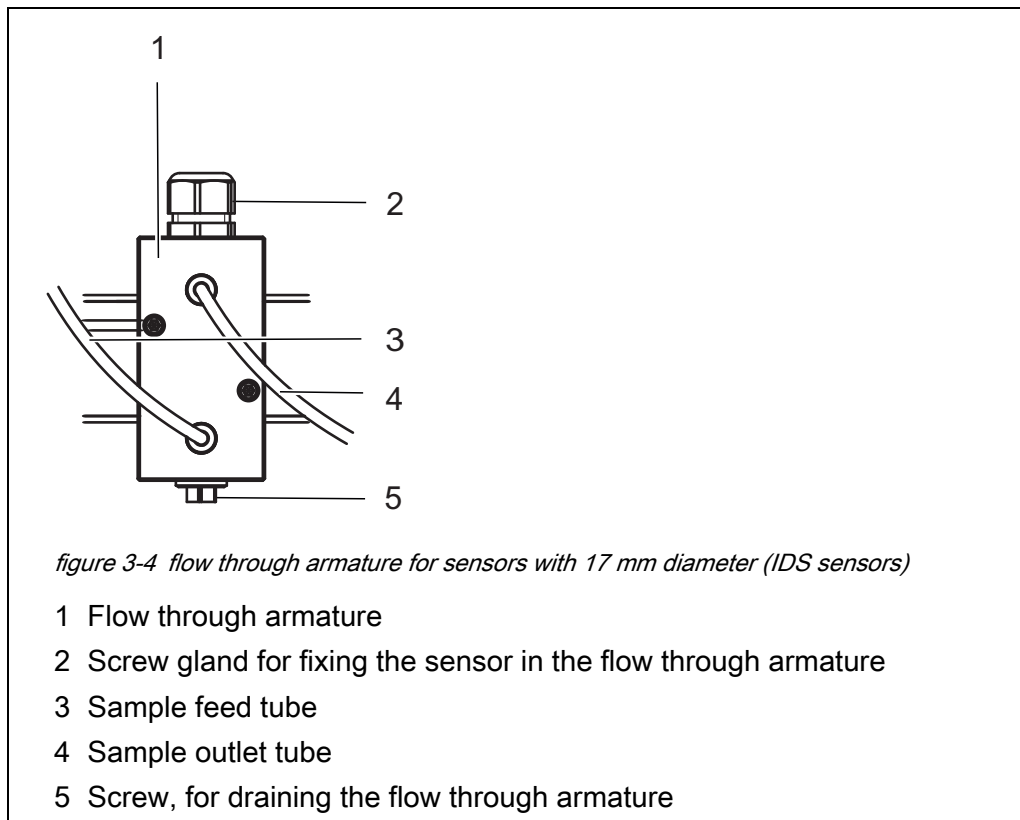
Connect sensors with plug-in head with the AS/IDS-x cable (see operating manual of the sensor).



Recommendation on the order of the sensors:

To avoid bending sensor cables too much:

Install the sensor with the longest shaft in the flow through armature farthest from the cable opening.



1. If the drinking water panel was in operation:  
Stop the sample feed.
2. Drain all flow through armatures.



The drinking water panel contains the installation wrench for the screw glands of the flow through armatures.

3. Screw on the screw gland with the installation wrench.

4. For FDO 925 oxygen sensor:  
Slide the spacer (30 mm) over the shaft.
5. Push the screw gland of the flow through armature onto the sensor and tighten slightly.
6. Push the screw gland further over the sensor until the shaft of the sensor is in contact with the screw gland.



When the shaft of the sensor is in contact with the screw gland, the sensor is optimally exposed to the sample.

7. Carefully insert the sensor with the screw gland in the flow through armature.
8. For FDO 925 oxygen sensor:  
Rotate the sensor so that the slanted surface of the sensor tip faces the sample inlet.
9. Use your hand to tighten the screw gland on the flow armature.
10. Tighten the screw gland approx. a quarter turn further with the installation wrench.

#### **NOTE**

*Make sure that the sensor is firmly in place. A sensor that is fastened too loosely can be pressed out of the flow through armature when pressure is applied.*

#### **NOTE**

*Always open the inlet slowly for commissioning. A strong pressure surge can destroy the membrane.*

### **3.2.10 Connecting the sensors to the MIQ/IDS module**

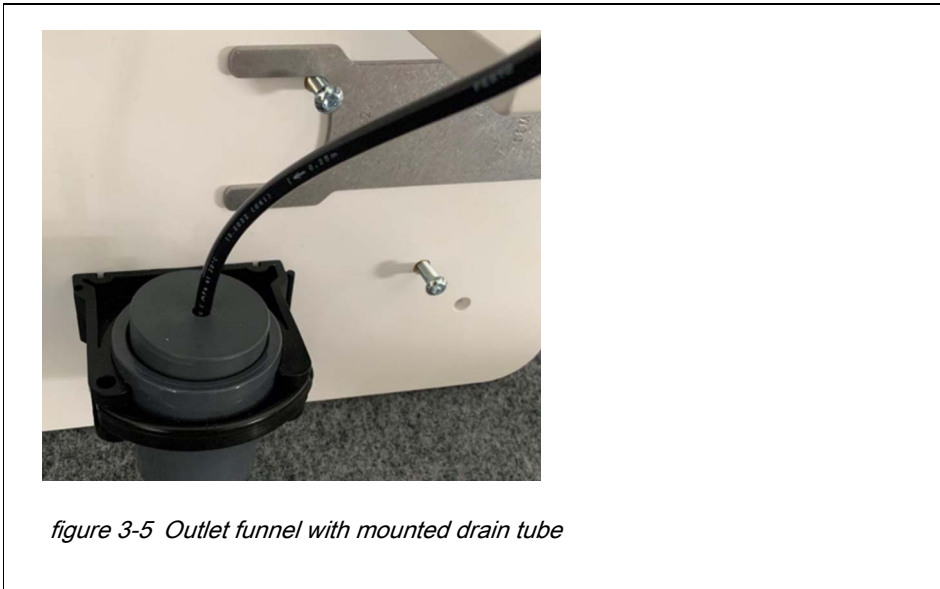
1. Install the sensors in the flow through armature
  - Chlorine sensor: see section 3.2.8
  - Other sensors: see section 3.2.9
2. Connect the sensors to the MIQ/IDS module (see MIQ/IDS operating manual).

### 3.2.11 Connection of sample outlet and sample inlet



The outlet funnel cover is attached to the outlet funnel.

1. Loosen the cover of the outlet funnel from the fastening.
2. Push the open drain tube from the last flow through armature through the cover of the outlet funnel until it protrudes inside.
3. Mount the cover of the outlet funnel onto the outlet funnel.



*figure 3-5 Outlet funnel with mounted drain tube*



**CAUTION**

The outlet of the DW/P drinking water panel may only be connected to an open channel flow that is virtually pressureless.

4. Direct the water from the outlet funnel to a drain for waste water.
5. Connect the sample feed tube to the sample inlet.

### 3.2.12 Tidying up the cables

The drinking water panel has cable passages to stow cables behind the drinking water panel (see section 1.2.4).



1. Insert long cables into the cable passage under the IQ SENSOR NET module stack.

### 3.2.13 Providing sample flow at the sample inlet

Ensure that the fluid circuit is completely closed and tight.

1. Plug the sample feed tube into the connector for the sample feed on the drinking water panel and secure it with a tube clamp.



#### CAUTION

Risk of injury in case of overpressure due to splashing water.

Wear protective goggles when connecting the sample feed to the drinking water plate (see section 2.4 Personal protective equipment (PPE)).

2. Slowly turn on the sample flow.
3. In the presence of a turbidimeter (Turb PLUS 2000) in the liquid circuit (see operating manual of the turbidimeter):
  - Pull the cell out of the cell shaft.
  - Check the cell for leaks with the lid screwed on.
4. Check all tube connections of the drinking water panel for leaks.
5. Check the flow rate on the flow indicator.
6. If necessary:  
Adjust the flow rate on the pressure reducer.



The sample stream contains air bubbles, especially after commissioning, which influence the measured turbidity value.

### 3.3 Starting the measuring operation

Prerequisite:

- The system is started up.
- The sample flow is set.
- All sensors are displayed in the measured value display on the terminal of the IQ SENSOR NET.

1. Make the settings for sensors on the IQ SENSOR NET.  
(see system operating manual of the IQ SENSOR NET).
2. Calibrate the sensors (see operating manual of the MIQ/IDS).

## 4 Maintenance and cleaning

### 4.1 Maintenance

Component	Maintenance
Sensor	See operating manual of the sensor
Other components	See operating manuals of the components

### 4.2 Cleaning

**Drinking water panel** Clean the drinking water panel, tubes and component surfaces by wiping them with a moist cloth.

**Pipes, inside cleaning** Basically, it is not necessary to clean the insides of the pipes. However, diluted acetic acid (max. 10%) can be pumped through the pipes.

**Flow through armatures, flow indicator**

1. Stop the sample feed.
2. Drain the flow through armatures.
3. Loosen the screw glands on the flow through armatures.
4. Pull the sensors out of the flow through armatures.
5. Have containers ready to collect water under the flow through armatures.
6. Open the screws on the undersides of the flow through armatures.
7. Clean the flow through armatures, e.g. with a brush or a moist cloth.
8. Have a container ready to collect water under the sampling tap.
9. Open the sampling tap.  
The water from the flow indicator drains off.
10. Unscrew the flow indicator.
11. Remove the flow indicator from the fluid circuit.
12. Clean the flow indicator, e.g. with a brush or a moist cloth.

**After cleaning**

1. Reinstall the flow indicator in the liquid circuit and screw it in place.

2. Screw in the screws on the undersides of the flow through armatures again.
3. Install the sensors in the flow armatures (see section 3.2.8 INSTALLING THE CHLORINE SENSOR INTO THE D 19 FLOW THROUGH ARMATURE OR see section 3.2.9 INSTALLING THE SENSOR IN THE D 17 FLOW THROUGH ARMATURE).
4. Check that the inlet and outlet connections are tight on all flow through armatures.
5. Open the sample inlet.

### 4.3 System expansion

#### 4.3.1 IQ SENSOR NET

System expansion of the IQ SENSOR NET (see system operating manual of the IQ SENSOR NET).

#### 4.3.2 Flow through armatures

All flow through armatures included in the scope of delivery are mounted on a rail.

The maximum number of flow through armatures on the rail is 4. If the maximum number of flow through armatures has not yet been reached, additional flow through armatures can be mounted on the rail.



To be able to connect 4 IDS sensors to the IQ SENSOR NET the following requirements must be met:

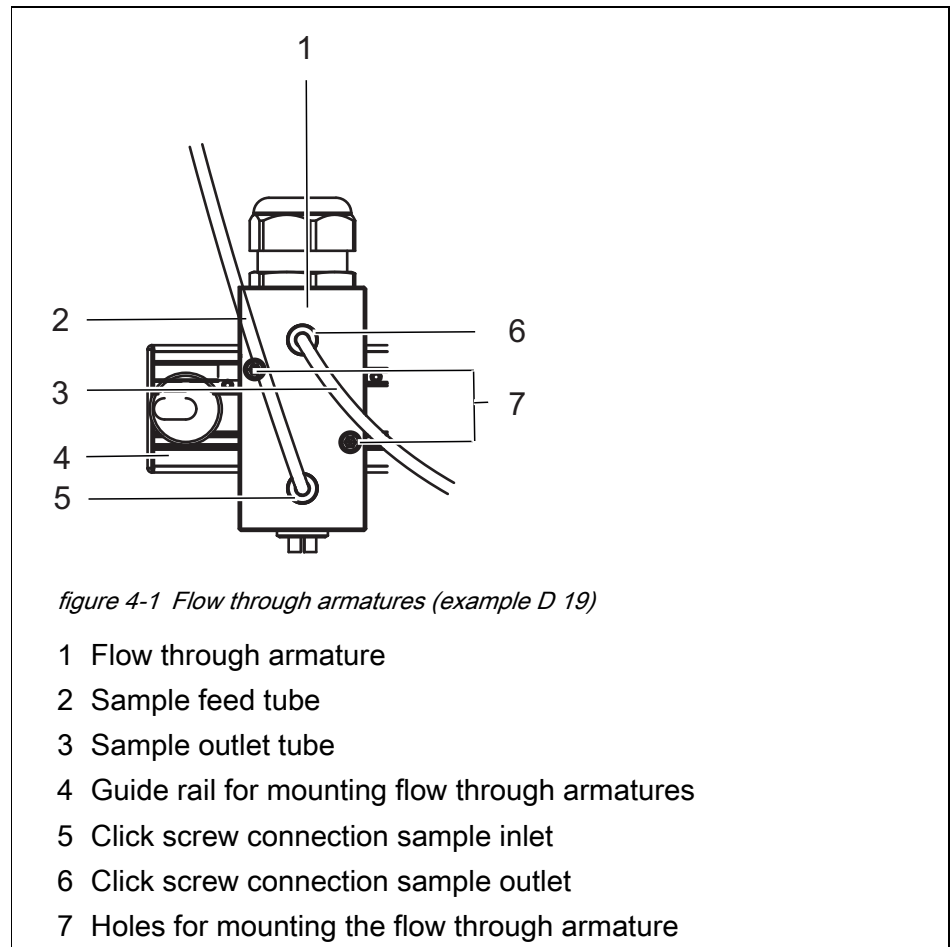
- 4 IDS interfaces are available on the IQ SENSOR NET.
- The IQ SENSOR NET can indicate 4 sensors in the measured value display.

#### Replacing or adding any flow through armatures

1. Select the position for the new flow through armature.

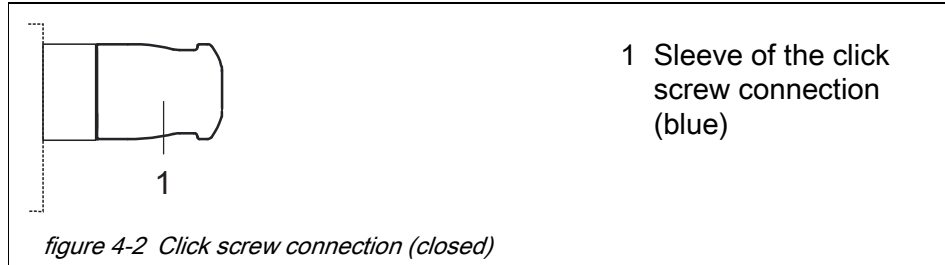


One criterion for the choice of position is, for example, the space requirement of a sensor upwards.

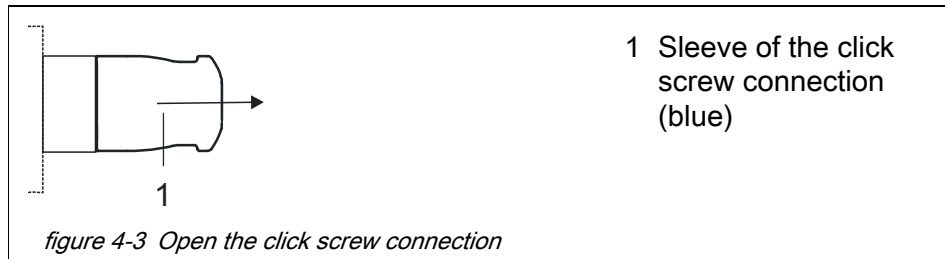


2. Insert a screw with washer in each of the two holes (7) and mount the flow armature on the rail.
3. Connect the tube to the click screw connection on the sample outlet (see section 4.3.3).
4. Connect the tube to the click screw connection on the sample outlet (see section 4.3.3).
5. Install the sensors in the flow through armatures.
  - Chlorine sensor in flow through armature D 19: see section 3.2.8
  - Other sensors in flow through armature D 17: see section 3.2.9

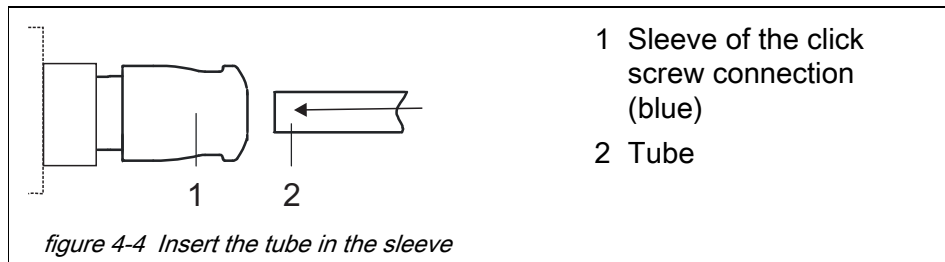
4.3.3 Connect the tube to the click screw connection of the flow through armature



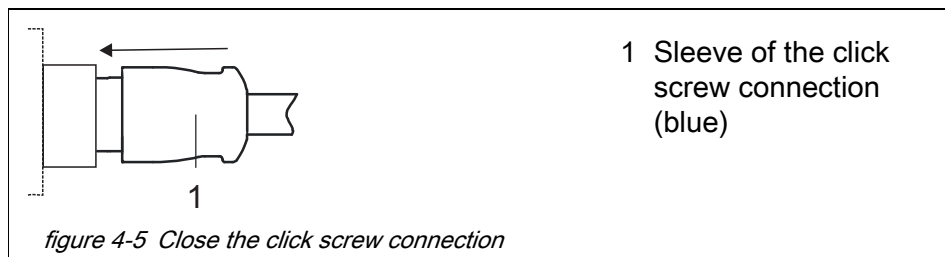
1. Pull out the sleeve of the click screw connection (1) until it audibly disengages with a click.



2. Insert the tube 26 mm deep into the sleeve (1) of the click screw connection. If the tube is not inserted deep enough, the connection will not be tight.



3. Press the sleeve of the click screw connection (1) against the flow through armature until it audibly engages. The tubes are connected tightly.



## 5 Technical data

### 5.1 Drinking water panel

<b>Drinking water panel</b>	Dimensions (H x W x D)	Approx. 850 x 700 x 13 mm
	Material	PVC rigid foam, spumed, white
<b>Mounting</b>	<b>4 holes in the drinking water panel</b>	
	Diameter	8.5 mm
	Distances	60 mm from the edge
<b>Ambient conditions</b>	<b>Temperature</b>	
	Operation	5 °C ... + 40 °C
	Storage	0 °C ... + 45 °C
<b>Permissible over-pressure</b>	Before pressure regulator (inlet)	0 ... 6 bar
	After pressure regulator	1.5 bar (preset)
<b>Medium overflow</b>	Into open channel flow, virtually pressureless. A water column of max. 0.5 m relating to the lid of the pH flow through armature may be applied.	
<b>Sample flow</b>	Without chlorine sensor	At least 10 l/h
	With chlorine sensor	At least 15 l/h
<b>Range of application</b>	Drinking water and swimming pool water	
<b>Inlet and outlet</b>	Inlet	Tube nozzle R1/2", not removable
	Outlet	Outlet into funnel, Ø 40 mm

### 5.2 Components

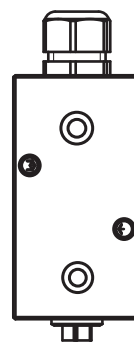
**Maintenance console MTC/C**

Dimensions (H x W)	160 x 120 mm
Material	Kömacel (PVC hard integral foam board), white

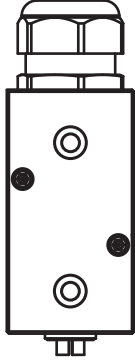
**Flow through armature D 17 for pH, ORP, conductivity, oxygen**

Material	PVC
Sealing material	NBR
Application temperature	Max. 40 °C
Flow rate	Max. 60 l/h
Pressure load	Max. 0.5 bar
Process connection	Polyurethane tube – Outer diameter: 6 mm – Inner diameter: 4 mm – Installation: vertical
Sensor receptacle	Mounting location for one sensor (clamped) – Diameter: 12 mm - 17 mm – Mounting length: 120 mm
Dimensions	Height: 115 mm (without screwed cable gland) Width: 60 mm Depth: 50 mm

Figure

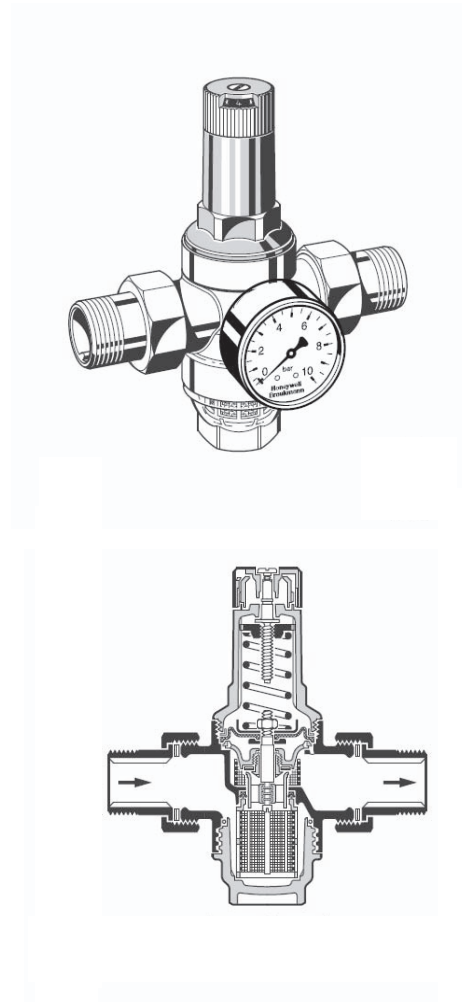




<b>Flow through armature D 19 for chlorine</b>	Material	PVC
	Sealing material	NBR
	Application temperature	Max. 40 °C
	Flow rate	Max. 60 l/h
	Pressure load	Max. 0.5 bar
	Process connection	Polyurethane tube – Outer diameter: 6 mm – Inner diameter: 4 mm – Installation: vertical
	Sensor receptacle	Mounting location for one sensor (clamped) – Suitable for sensors with diameter: 18 mm - 25 mm; – Mounting length: 120 mm
	Dimensions	Height: 115 mm (without screwed cable gland) Width: 60 mm Depth: 50 mm
Figure		

<b>Pressure reducer Pr-DN10</b>	Material	Brass, plastic, stainless steel
	Sealing and membrane material	NBR
	Application temperature	Max. 40 °C
	Pressure before pressure regulator (inlet)	Max. 25 bar*
	Pressure after pressure regulator	Max. 6 bar*
	Minimum pressure difference	1 bar

Figure



\*.Deviating values when operated on the drinking water plate (see section 5.1)

<b>Dosing ball valve Do-DN10</b>	Housing material	PVC-U
	Ball sealing material	PTFE
	Pressure	Max. 10 bar <sup>*</sup>

\*.Deviating values when operated on the drinking water plate (see section 5.1)

### 5.3 Components with power supply

Some components of the drinking water panel require a power supply. For more information, see the component operating manual.

<b>Component</b>	<b>Power supply</b>
IQ SENSOR NET system DIQ/S 28X	See system operating manual IQ SENSOR NET DIQ/S 28X
IQ SENSOR NET mains power supply module	See operating manual power supply module
Sensors	The sensors are supplied with power via the IDS cable or the IDS adapter. The power supply of the IQ SENSOR NET system must be adapted to the power requirements of the connected modules and IDS sensors.
Turbidimeter (Turb PLUS 2000)	See operating manual of the turbidimeter

## 6 Accessories, maintenance equipment and replacement parts

Description	Model	Order no.
Flow through armature for sensors	D 17	401990
Flow through armature for chlorine sensors	D 19	401991
MIQ module for 2 IDS sensors	MIQ/IDS2	480032
MIQ module for 4 IDS sensors	MIQ/IDS4	480034
Guide rail for mounting the flow through armature	MS DWP	904001
Pressure regulator R1/2"	Pr-DN10	904000
Dosage ball valve	Do-DN10	904005
Maintenance console	MTC/C	904009
Tube set	AS/4-2	904015
Tube 5 m	AS/5m	904017
Tube couplings	AS/CON	904020
Spare parts for flow through armature D 17	KT/D 17	904023
Spare parts for flow through armature D 19	KT/D 19	904024
Assembly wrench (SW 30, SW 42)	FS DWP	904030

Description	Model, order no.
Suitable sensors	See operating manual of the MIQ/IDS
Accessories for sensors	See operating manuals of the sensors
Accessory for the IQ SENSOR NET	See system operating manual IQ SENSOR NET
Turbidimeter	See operating manual of the turbidimeter

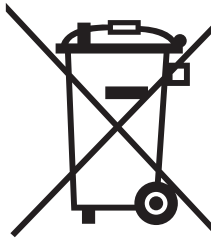
You can find more products in the catalog or on the Internet at [www.xylenalytics.com](http://www.xylenalytics.com).

There you will also find laboratory and handheld photometers and the photometric test kits suitable for your application and photometer.

## 7 Disposal

Handle and dispose of all waste in compliance with local laws and regulations.

### EU only: Correct disposal of this product — WEEE Directive on waste electrical and electronic equipment



This marking on the product, accessories or literature indicates that the product should not be disposed of with other waste at the end of its working life.

To prevent possible harm to the environment or human health from uncontrolled waste disposal, please separate these items from other types of waste and recycle them responsibly to promote the sustainable reuse of material resources.

Waste from electrical and electronic equipment can be returned to the producer or distributor.





# Xylem |'zīləm|

- 1) The tissue in plants that brings water upward from the roots;
- 2) a leading global water technology company.

We're a global team unified in a common purpose: creating advanced technology solutions to the world's water challenges. Developing new technologies that will improve the way water is used, conserved, and re-used in the future is central to our work. Our products and services move, treat, analyze, monitor and return water to the environment, in public utility, industrial, residential and commercial building services settings. Xylem also provides a leading portfolio of smart metering, network technologies and advanced analytics solutions for water, electric and gas utilities. In more than 150 countries, we have strong, long-standing relationships with customers who know us for our powerful combination of leading product brands and applications expertise with a strong focus on developing comprehensive, sustainable solutions.

**For more information on how Xylem can help you, go to [www.xylem.com](http://www.xylem.com).**



## **Service and Returns:**

Xylem Analytics Germany  
Sales GmbH & Co. KG  
WTW  
Am Achalaich 11  
82362 Weilheim  
Germany

Tel.: +49 881 183-325  
Fax: +49 881 183-414  
E-Mail [wtw.rma@xylem.com](mailto:wtw.rma@xylem.com)  
Internet: [www.xylemanalytics.com](http://www.xylemanalytics.com)



Xylem Analytics Germany GmbH  
Am Achalaich 11  
82362 Weilheim  
Germany

