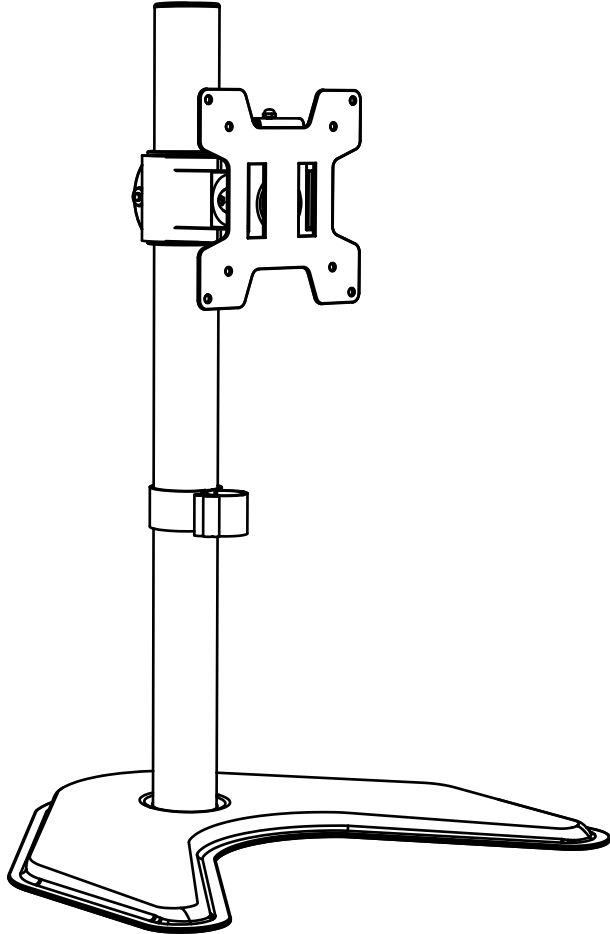




Single Monitor Desk Stand



MF001/MF001-W



75x75/100x100



support@walelectric.com

WARNING!

If you do not understand these directions, or if you have any doubts about the safety of the installation, please call a qualified technician. Check carefully to make sure there are no missing or defective parts. Improper installation may cause damage or serious injury. Do not use this product for any purpose that is not explicitly specified in this manual. Do not exceed weight capacity. We cannot be liable for damage or injury caused by improper mounting, incorrect assembly or inappropriate use.



TIPOVER WARNING

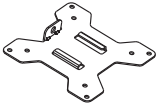
SERIOUS OR FATAL CRUSHING INJURIES CAN OCCUR FROM TIPOVER. TO HELP PREVENT TIPOVER:

- NEVER ALLOW CHILDREN TO CLIMB, STAND, HANG, OR PLAY ON ANY PART OF MONITOR OR STAND.
- USE TIPOVER RESTRAINT OR ANCHOR STAND TO WALL.

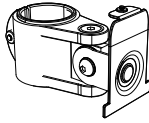
USE OF TIPOVER RESTRAINTS MAY ONLY REDUCE, BUT NOT ELIMINATE RISK OF TIP OVER.

SMALL PARTS- NOT FOR CHILDREN UNDER 3 YEARS. ADULT SUPERVISION IS REQUIRED.

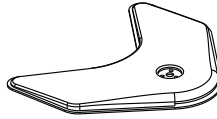
Supplied Parts List



VESA Plate
A (x1)



Monitor Arm
B (x1)



Weighted Base
C (x1)



Pole
D (x1)



Bolt
E (x3)



Nut
F (x1)



Allen Key 3mm
G (x1)



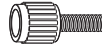
Allen Key 5mm
H (x1)



Allen Key 6mm
I (x1)



Wire Clip
J (x1)



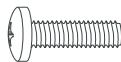
M4x12 Bolt
M-A (x4)



M4x16 Bolt
M-B (x4)



M5x12 Bolt
M-C (x4)



M5x16 Bolt
M-D (x4)



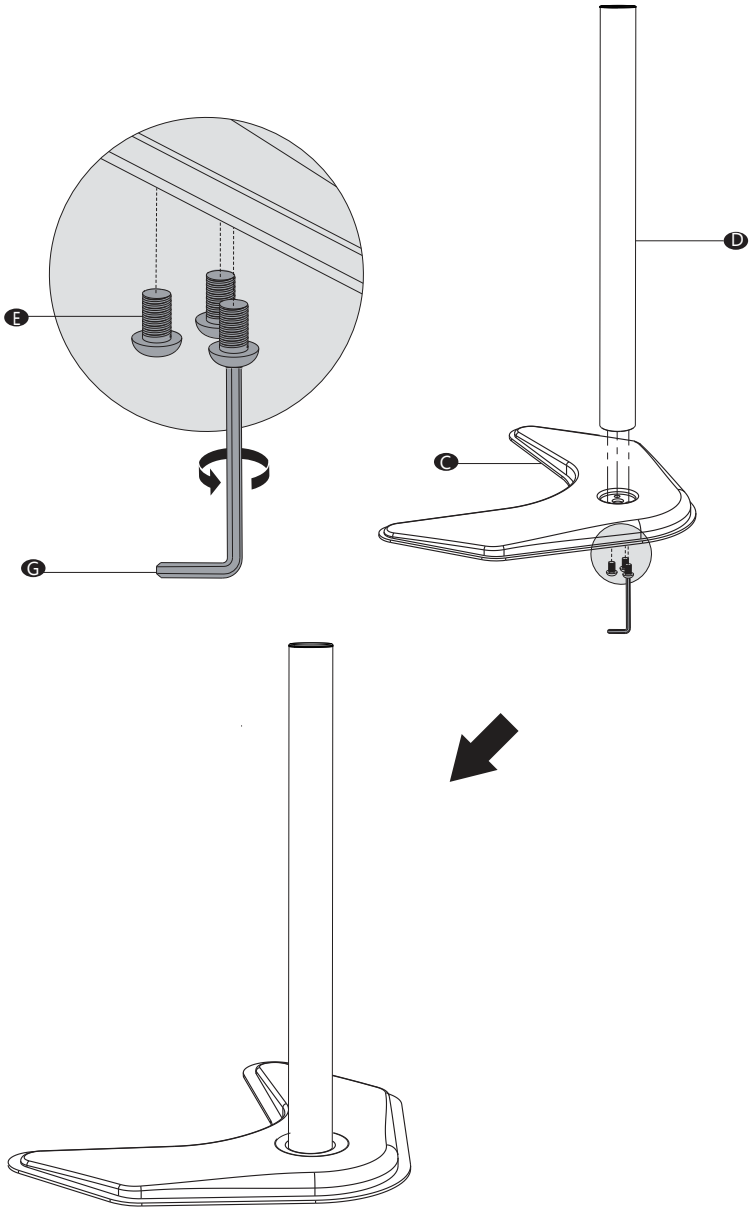
D5 Washer
M-E (x4)



Spacer
M-F (x4)

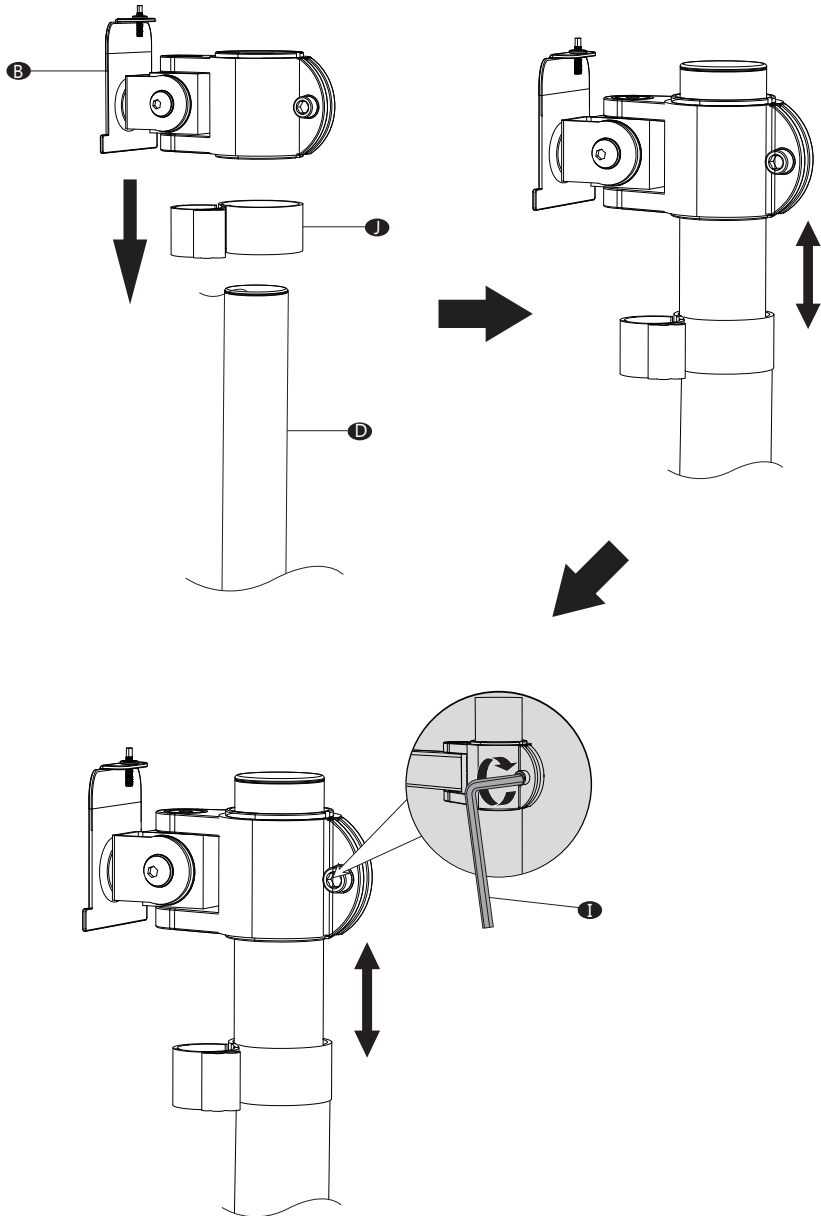
Step 1

Install the Pole **D** to the Weighted Base **C** using Bolts **E** and tighten with Allen Key 3mm **G**.



Step 2

Put the Wire Clip **J** and Monitor Arm **B** through the Pole **D** , adjust the preferred height and tighten using Allen Key 6mm **I** .

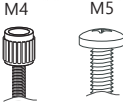


Step 3

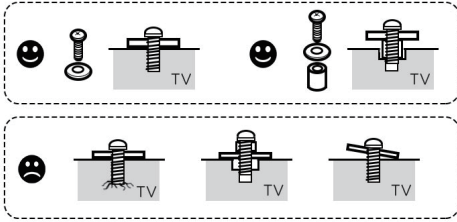
Step 3.1

Select TV Screws

Only one screw size fits your TV



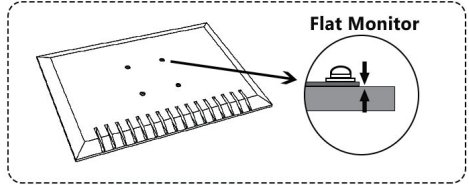
Hand thread screws into the threaded inserts on the back of your TV to determine which screw diameter (M4 or M5) to use.



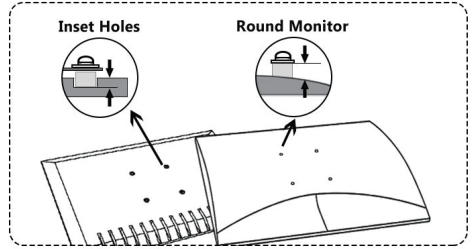
Step 3.2

Select Spacers (if needed)

NOT NEEDED



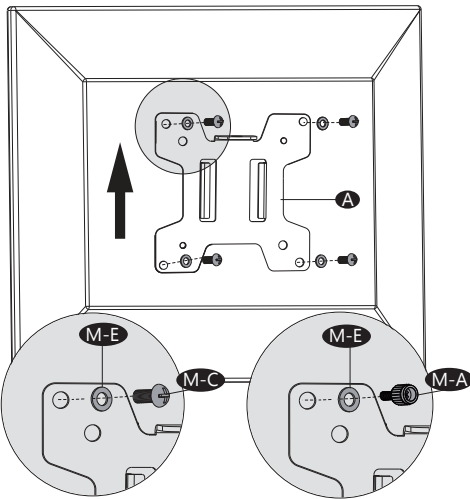
NEEDED FOR



Step 3.3a

Flat Back Monitor

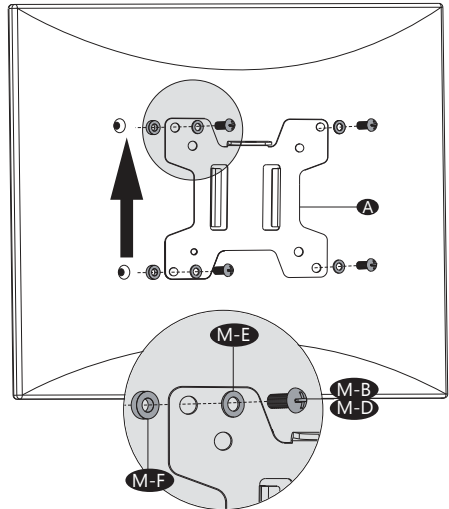
Select M4x12 Bolt (M-A) or M5x12 Bolt (M-C) according to your TV/Monitor, connect VESA Plate (A) together with D5 Washer (M-E) into the mounting holes on the back of TV/Monitor, tighten with screwdriver. (Screwdriver needed but not included)



Step 3.3b

Curved Back Monitor

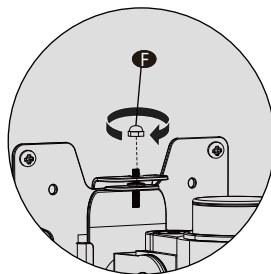
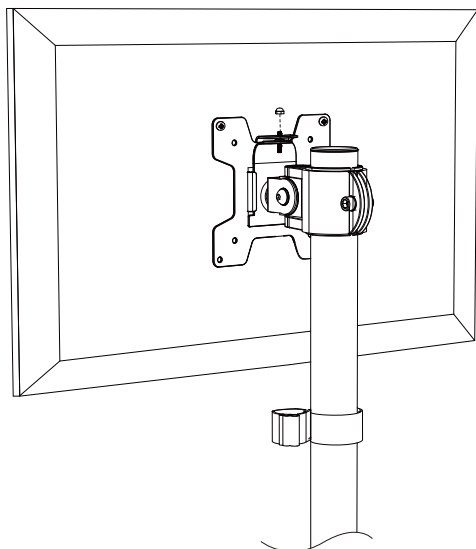
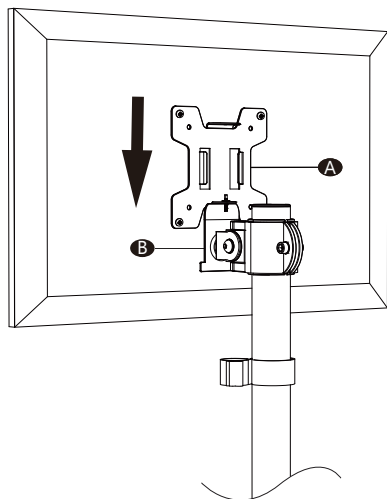
Select M4x16 Bolt (M-B) or M5x16 Bolt (M-D) according to your TV/Monitor, connect VESA Plate (A) together with D5 Washer (M-E) and Spacer (M-F) into the mounting holes on the back of TV/Monitor, tighten with screwdriver. (Screwdriver needed but not included)



Step 4

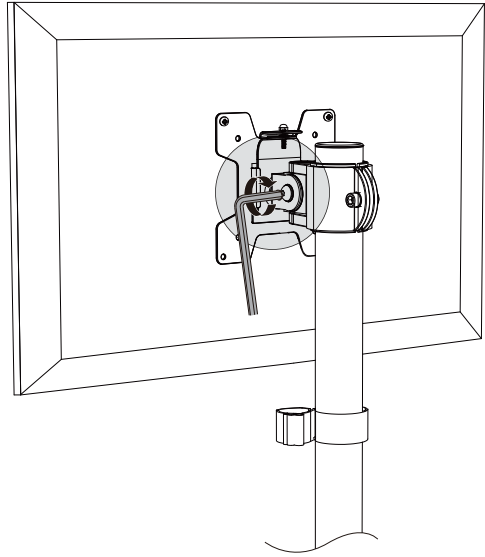
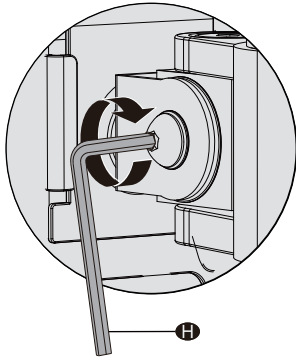


Put the assembled TV/Monitor onto the Monitor Arm **(B)** and ensure stability, tighten the VESA Plate **(A)** using Nut **(F)**.



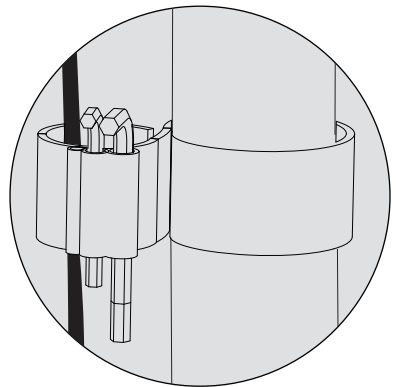
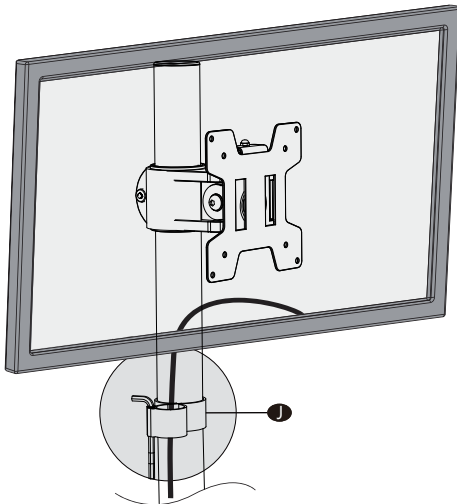
Step 5

Tighten or loosen tilt joint using Allen Key 5mm **H**.



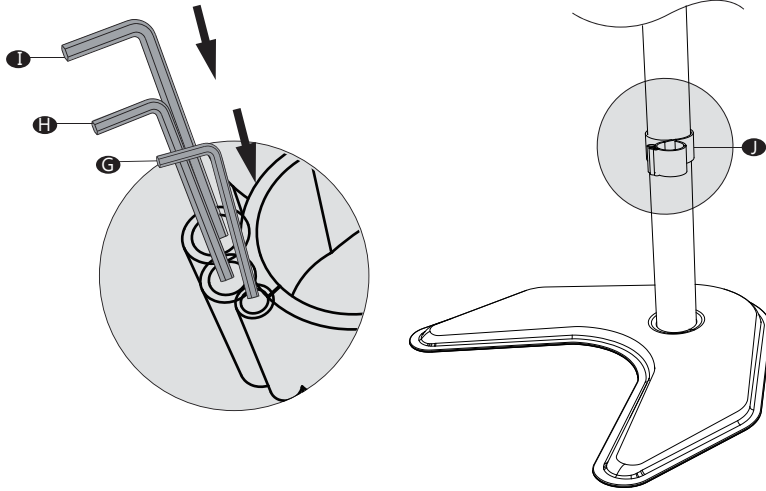
Step 6

Guide the cable through the Wire Clip **I**.



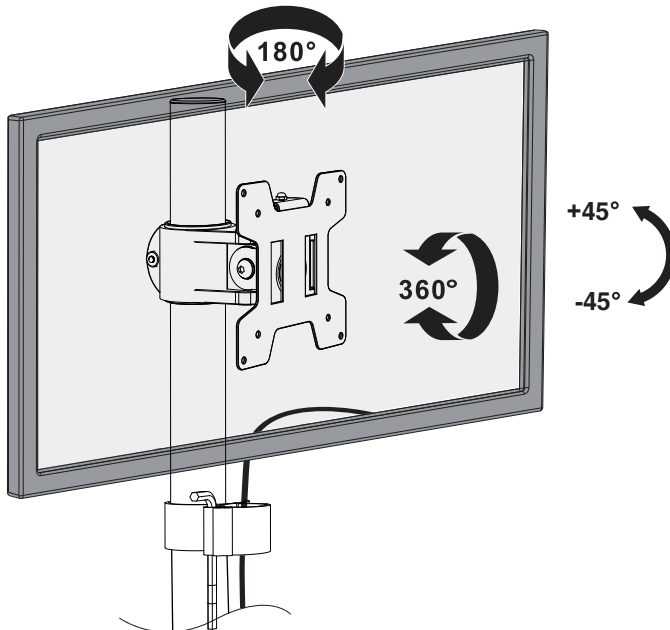
Step 7

Store the Allen Keys in the Wire Clip **I**.



Step 8

Manually swivel, tilt or rotate the angle for the best operating environment.





Thank you for choosing us!

We support the technology that brings your home to life.
We offer high quality products, professional customer service,
and extensive technical support.

If you have any questions, please contact us.

 1-844-SATTLER (18447288537)

 support@wallelectric.com