

**DESCRIZIONE - DESCRIPTION**

Art. **061**: Kit copritubo tondo 2 pezzi  
*Round pipe cover set 2 pcs*

Art. **062**: Kit copritubo int. 50 mm.  
*Pipe cover set with 50 mm center distance.*



TA

BB - RAL 9016

NN - RAL 9004



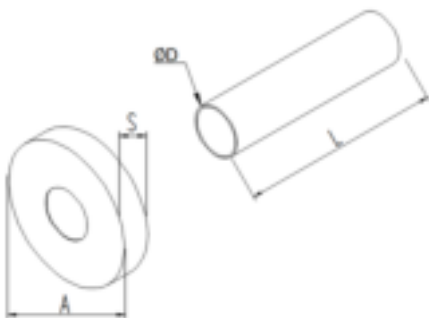
TA

BB - RAL 9016

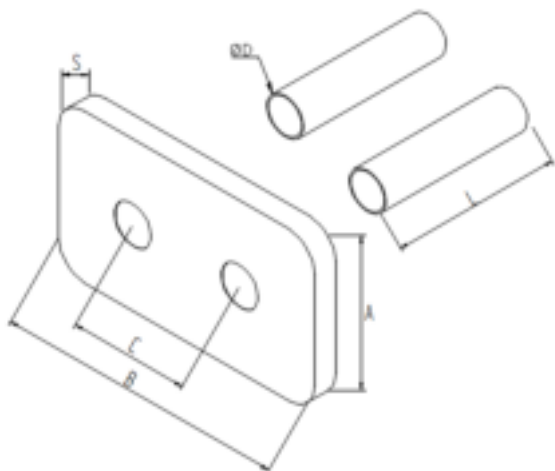
NN - RAL 9004

**CARATTERISTICHE - FEATURES**

- Rosone in ottone CW614N
- Tubo in ottone CW508L
- O-rings in gomma EPDM
- Brass CW614N wall plate
- Brass CW508L tube
- EPDM rubber O-rings

**DIMENSIONI PRINCIPALI - LEADING DIMENSIONS**

**061**

D	A	S	L	Tube-Pipe Ø
18	50	12.5	70-160	12-14-15-16


**062**

D	A	S	B	C	L	Tube-Pipe Ø
18	70	12.5	120	50	70-160	12-14-15-16