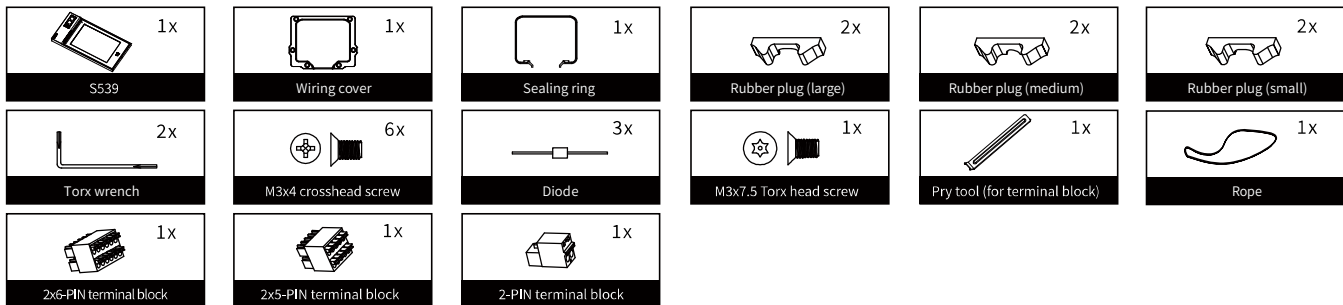


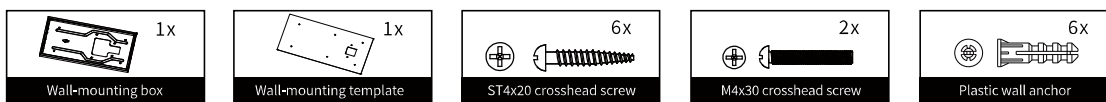
Unpacking

Before using the device, check the device model and ensure that the shipped box includes the following items:

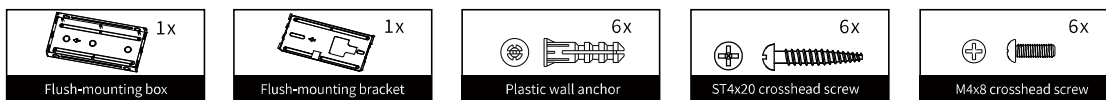


Optional Accessories:

Wall-mounting Accessories (Please find in On-Wall Installation Kit box):



Flush-mounting Accessories (Please find in In-Wall Installation Kit box):



Product Overview



Before You Start

Tools needed

(not included in shipped box)

- Cat Ethernet Cable
- Crosshead Screwdriver
- Electric Drill

Voltage and Current Specifications

- It is suggested that use 12VDC 4A or 24VDC 2A power adapter to power on device.

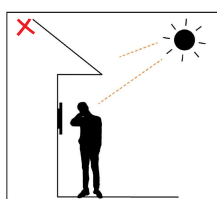
AWG Sizes and Properties Table

Please follow the properly wire data to install device:

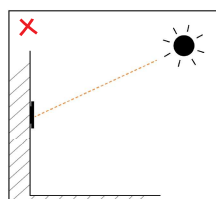
Power Supply		12V 4A Or 24V 2A				
AWG		12	14	16	18	20
Resistance (ohm/km)		3.51	8.45	13.5	21.4	33.9
Cross-sectional Area (mm ²)		3.332	2.075	1.318	0.8107	0.5189
Length(m)	12V 4A	≤35	≤25	≤15	≤10	/
	24V 2A	≤40	≤30	≤20	≤10	≤5

Requirements

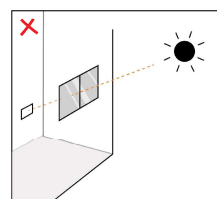
1. Place the device away from sunlight and light sources to prevent potential damage.
2. Do not place the device in the high-temperature, and humid environments or in surroundings impacted by magnetic field.
3. Install the device on the flat surface securely to avoid personal injuries and property loss caused by device's falling.
4. Do not use or place the device near heating objects.
5. Please keep device at least 2 meters away from light, and at least 3 meters away from window and door.



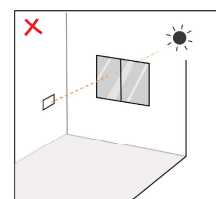
Backlight



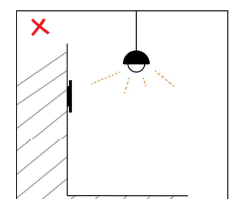
Direct sunlight



Direct sun through window



Indirect sunlight through window



Close to light

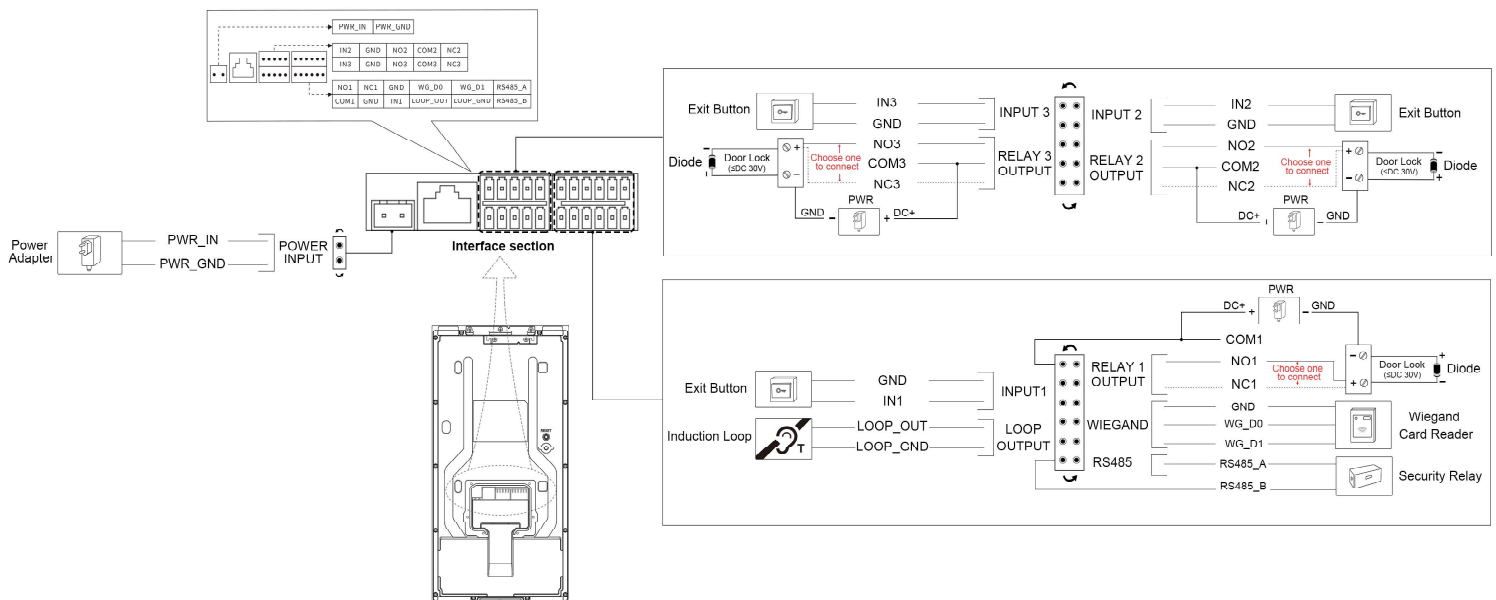
⚠ Warning!

1. To ensure safety, avoid touching power cord, power adapter, and device with wet hands, bending or pulling the power cord, damaging any components, and use only qualified power adapter and power cord.
2. Be careful that standing up on the area under the device in case of personal injuries cause by hitting the device.

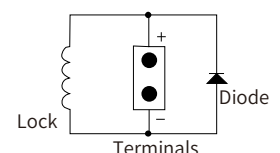
⚠ Caution

1. Do not knock device with hard objects.
2. Do not press down hard on the device screen.
3. Do not expose device to chemical products, such as alcohol, acid liquid, disinfectants, and so on.
4. To prevent the device installation from becoming loose, ensure accurate diameters and depths of screw holes. If the screw holes are too large, use glue to secure the screws.
5. Use wet cloth clean device surface softly, and then wipe the surface with dry cloth for cleaning the device.
6. If there is abnormal situation of the device, including uncommon sound and smell, please power off the device and contact Akuvox Technical Team immediately.

Wiring Interface



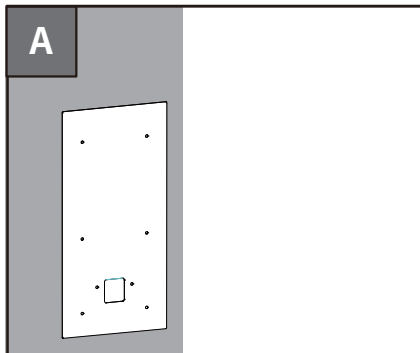
To protect the device from potential damage caused by over-voltage, it is recommended to wire a diode into the circuit. Connect the anode of the diode to the negative cable of the lock, and connect the cathode of the diode to the positive cable of the lock.



Installation

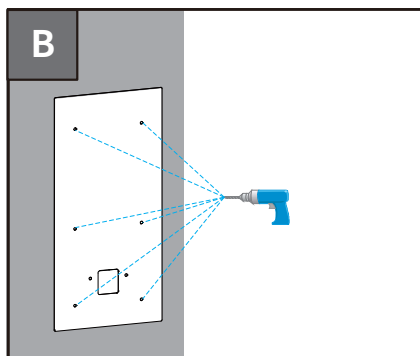
Step1: Bracket/Box Installation

1.Wall Mounting

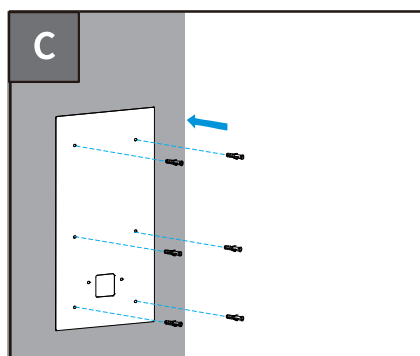


- a.Stick wall-mounting template onto the wall according to your need.
- b.Please make sure all cables can go through the wiring holes on the template.

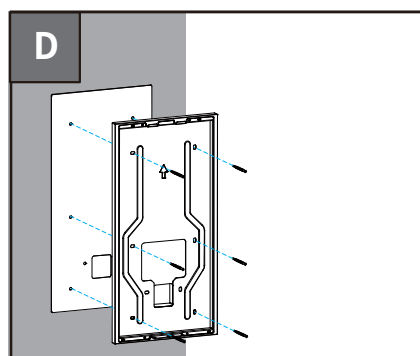
Note: If there is a **86-embedded box** installed in the wall, please align the two screw holes of box.



Use a **6mm electric drill** to make six holes with 25mm depth in the screw holes of wall-mounting template.



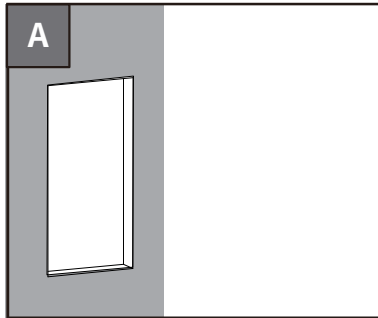
Insert six **plastic wall anchors** into the holes.



- a.Use six **ST4x20 crosshead screws** to fix the wall-mounting box on the wall.
- b.Or use four **ST4x20 crosshead screws** and two **M4x30 crosshead screws** to fix the **wall-mounting box** on the **86-embedded box**.

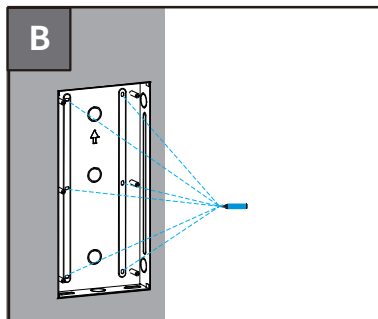
2. Flush Mounting

2.1 Normal Installation

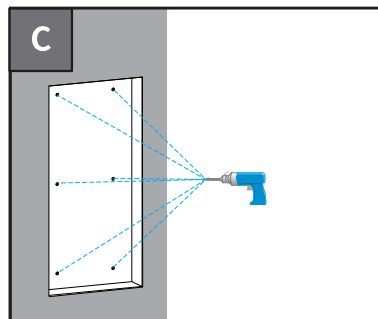


- a. Dig out a square hole on the wall (height* width*depth= 353.5* 169* 41mm) .
- b. Lead cables through the hole, or reserve the PVC conduit.

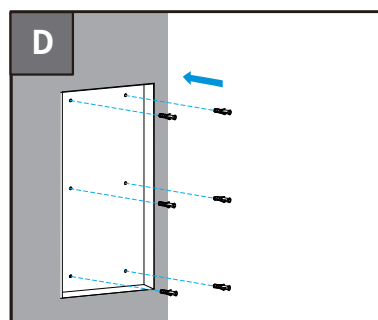
Note: The hole can be larger than recommended size based on the actual situation.



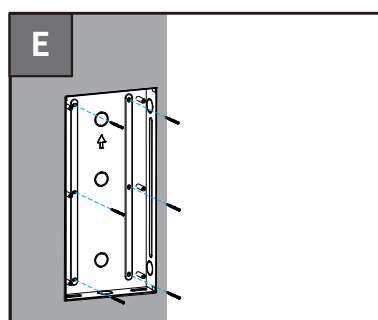
- a. Knock off a cable hole of flush-mounting box.
- b. Place the box on the hole, and lead cables through the hole.
- c. Mark six holes of the box on the wall.



Remove the box and use a **6mm electric drill** to make six holes on the marked position with 25mm depth.

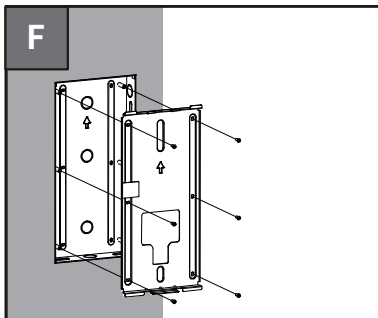


Insert six **plastic wall anchors** into the holes.



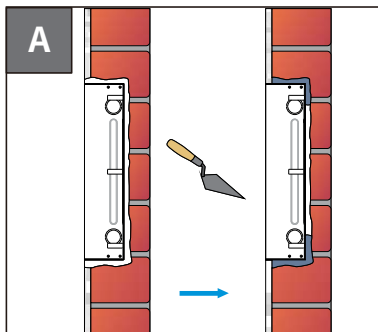
- a. Place the **flush-mounting box** on the hole, and lead cables through the hole.
- b. Use six **ST4x20 crosshead screws** to fix the box on the wall.

Note: The edge of the flush-mounting box should be aligned with wall, and the inclination angle of the box should be less than 2°.



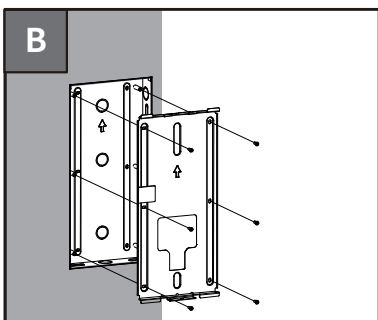
Use six **M4x8 crosshead screws** to fix the **flush-mounting bracket** on the box.

2.2 Simple Installation (with lower resistance of vandalism)



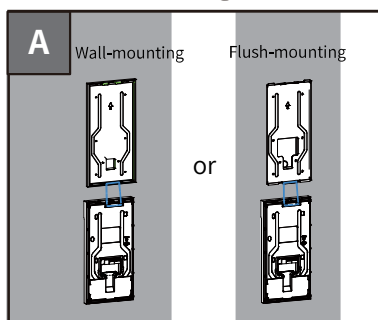
- a. Use cement or non-corrosive structural adhesive to fill the gap between the wall and **flush-mounting box**.
- b. Ensure that the adhesive material dry before proceeding to the next step.

Note: To prevent water from entering the back cover of the door phone, it is recommended to fill the gaps around with waterproof material.

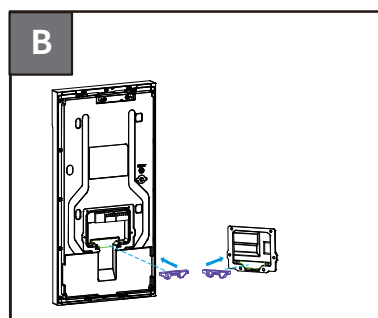


Use six **M4x8 crosshead screws** to fix the flush-mounting bracket on the box.

Step2: Wiring Cover Installation



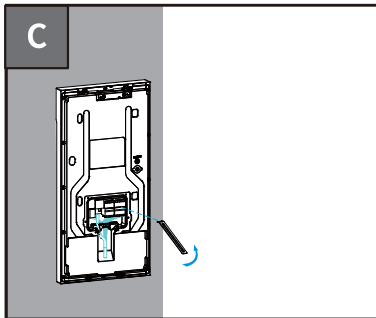
Hang the device onto the square hanger on the wall-mounting/flush-mounting box.



- a. Choose two **rubber plugs** of suitable size (small, large and medium).
- b. Insert one into the back cover of device.
- c. Insert another into the corresponding groove of the wiring cover.

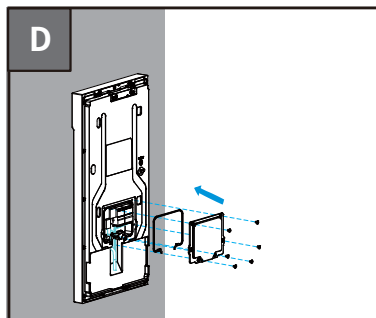


YS5390002



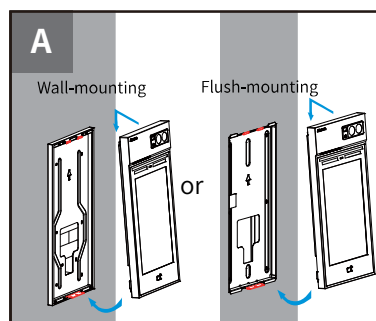
- a. Connect the wires to the **terminal blocks** (for details, refer to "Device Wiring").
- b. Insert the **terminal blocks** into the corresponding interface of the **main board**.

Note: The pry tool can be used to unplug the terminal block.



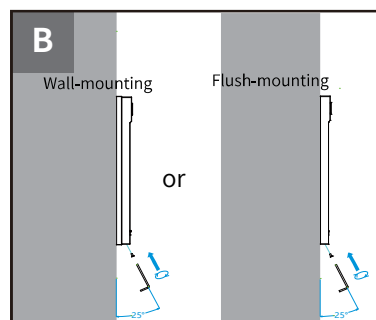
- a. Press **sealing ring** and **wiring cover** into the corresponding groove
- b. Tighten the **wiring cover** by six **M3x4 crosshead screws**.

Step 3: Device Mounting

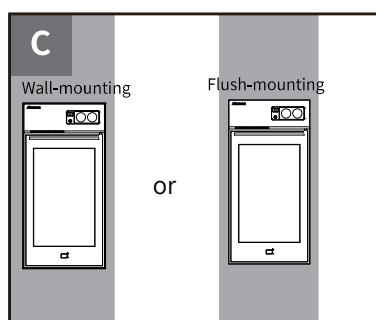


- a. Take off the rope and hang the device onto the **square hangers** on the wall-mounting box / flush-mounting box.
- b. Move the bottom of device close to box.

Note: The protrusion of the box should be covered by the device.

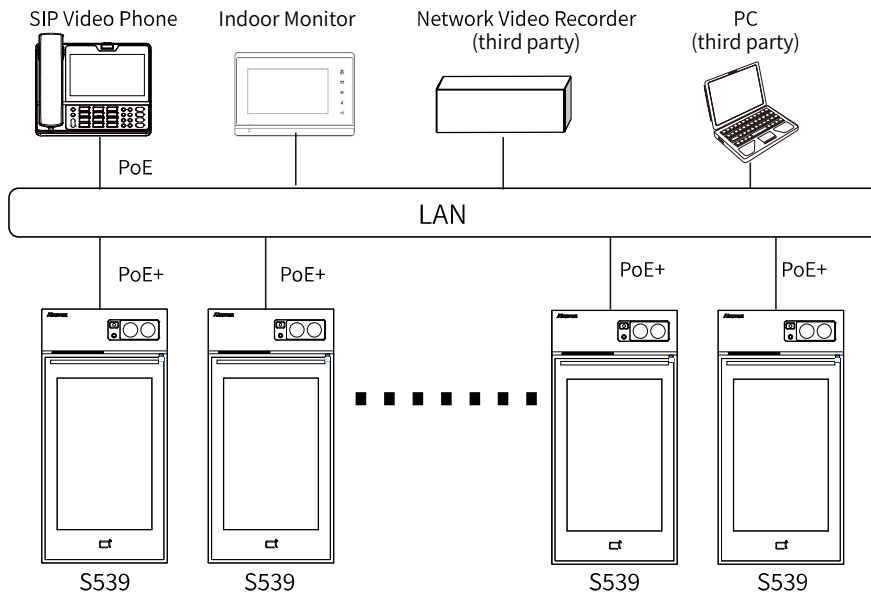


Use **torx wrench** to screw **M3x7.5 Torx head screw** into the screw hole on the bottom of device diagonally upward.



Installation is completed, please remove the **protective film**.

Application Network Topology



Face Enrollment Standards

1. Quality standard

Distorted facial photo is beautified, overexposed, too-dark, blurred, or disproportional image, and can not be identified because it makes facial features less identifiable. As well as face is covered by a hat, mask or other and the photo is not taken from a live face, which can cause face can not be identified. And it suggested that you take photos indoors to avoid distorted pictures.

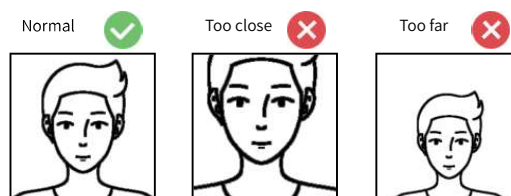
2. Recommended face angle

The face enrolled should be in front view. Raise or lower your head in less than 30 degrees, turns your head left or right in less than 25 degrees, and tilt your head left or right in less than 30 degrees.



3. Distance recommendation

Use an image with a face that is within the distance from camera. The distance should be more than 40 cm and less than 1 m. There should be at least 10% proportion marginal space around the face.



4. Image format requirement

Use an image in .jpg/png/bmp format. The face image cannot be rotated.

5. Size specification

Ensure that images are sufficiently large in terms of resolution, device can recognize images larger than 250x250 pixels.

6. Example of an acceptable face image



Tips for Facial Recognition

Follow the following facial recognition requirement.

- Upward or downward face in less than 20 degrees.
- Turn your face (left or right) in less than 25 degrees.
- Tilt your face in less than 30 degrees.
- Show full face without any coverings.

Device Test

Please verify the device status after installation:

1. **Network:** Press 9999 on the **dial screen**, then press 3888 to enter the **system screen** and click **Info** to check the device IP address. Network is working properly if the IP address is obtained.
2. **Intercom:** Click **Call Icon**, then enter the IP or SIP number to make a call. The call configuration is correct if the call is successful.
3. **Access Control:** Use pre-configured PIN code, RF card and face to unlock door.

Warranty

1. Akuvox warranty does not cover intentional mechanical damage or destruction caused by improper installation.
2. Do not attempt to modify, alternate, maintain, or repair device by yourself. Akuvox warranty does not apply to damages caused by anyone who is not representative of Akuvox or an Akuvox authorized service provider. Please contact Akuvox Technical Team if the device need to be repaired.

Get Help

For help or more assistance, contact us at:

 <https://ticket.akuvox.com/>

 support@akuvox.com

Scan the QR code to get more videos, guides, and additional product information.



Notice Information

Information contained in this document is believed to be accurate and reliable at the time of printing. This document is subject to change without notice, any update to this document can be viewed on Akuvox' s website: <http://www.akuvox.com> © Copyright 2024 Akuvox Ltd. All rights reserved.