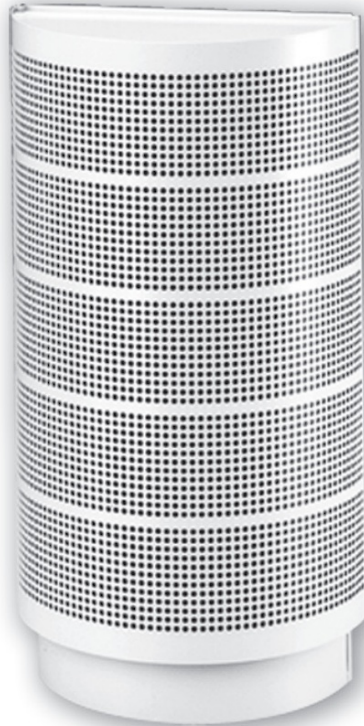


[Skip to content](#)

Manuals+

User Manuals Simplified.

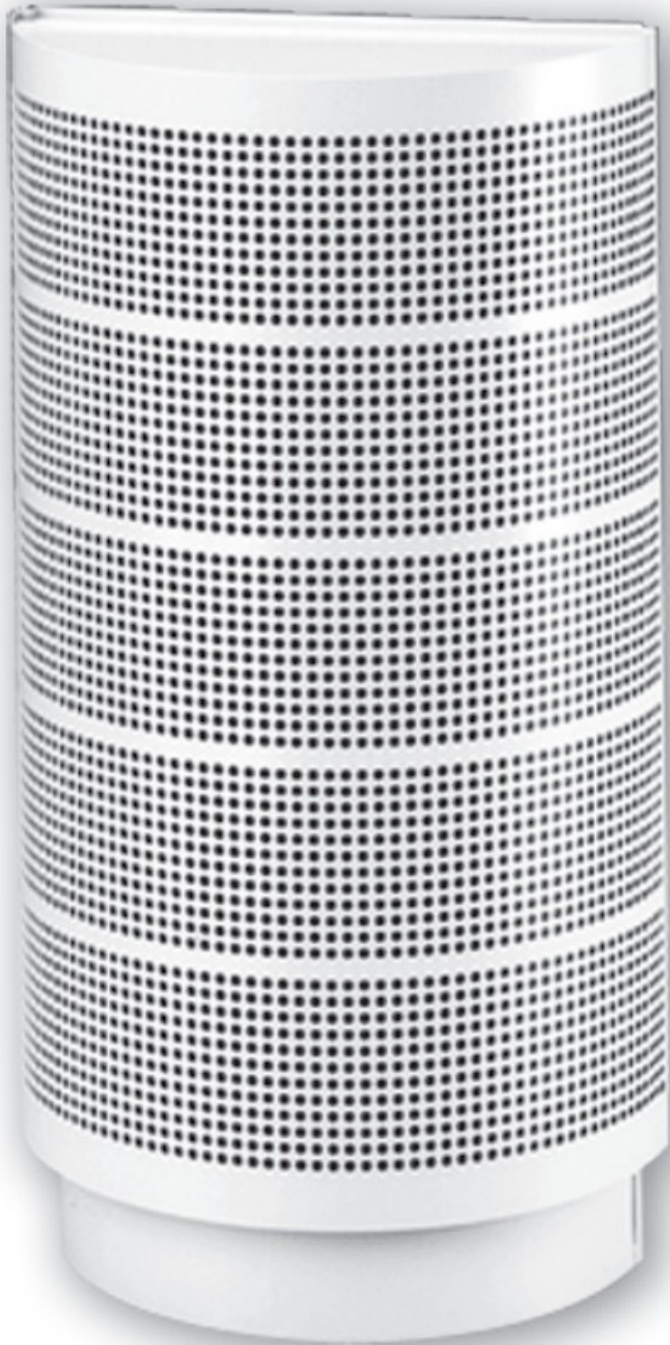


Lindab CBA Perforated Diffuser Instructions

August 8, 2022 August 9, 2022 [Leave a comment on Lindab CBA Perforated Diffuser Instructions](#)

[Home](#) » [Lindab](#) » Lindab CBA Perforated Diffuser Instructions 

Lindab CBA Perforated Diffuser



Contents [hide](#)

[1 Description](#)

[2 Maintenance](#)

[3 Ordering example](#)

[4 Order – accessories](#)

[5 Dimension](#)

[6 Accessories](#)

[7 Materials and finish](#)

[8 Technical data](#)

[9 Sound effect level](#)

[10 Sound attenuation](#)

[11 Nearzone](#)

[12 Table 1 Correction of the near zone \(a 0.2, b 0.2\)](#)

[13 Documents / Resources](#)

[13.1 Related Manuals / Resources](#)

Description

Comdif CBA is a semicircular perforated displacement diffuser for installation against/on a wall or column. Behind the perforated front plate, CBA is equipped with individually adjustable nozzles, making it possible to alter the geometry of the near zone. The diffuser can be turned and has a circular duct connection (MF measure), so the diffuser can be connected at the top or bottom. The diffuser is suitable for the supply of large volumes of moderately cooled air.

- The diffuser is suitable for the supply of large volumes of air.
- The geometry of the near zone can be adjusted using adjustable nozzles.
- Duct covers, plinths and wall brackets can be supplied as accessories.

Maintenance

The front plate can be removed from the diffuser, making it possible to clean the nozzles. The visible parts of the diffuser can be wiped with a damp cloth.

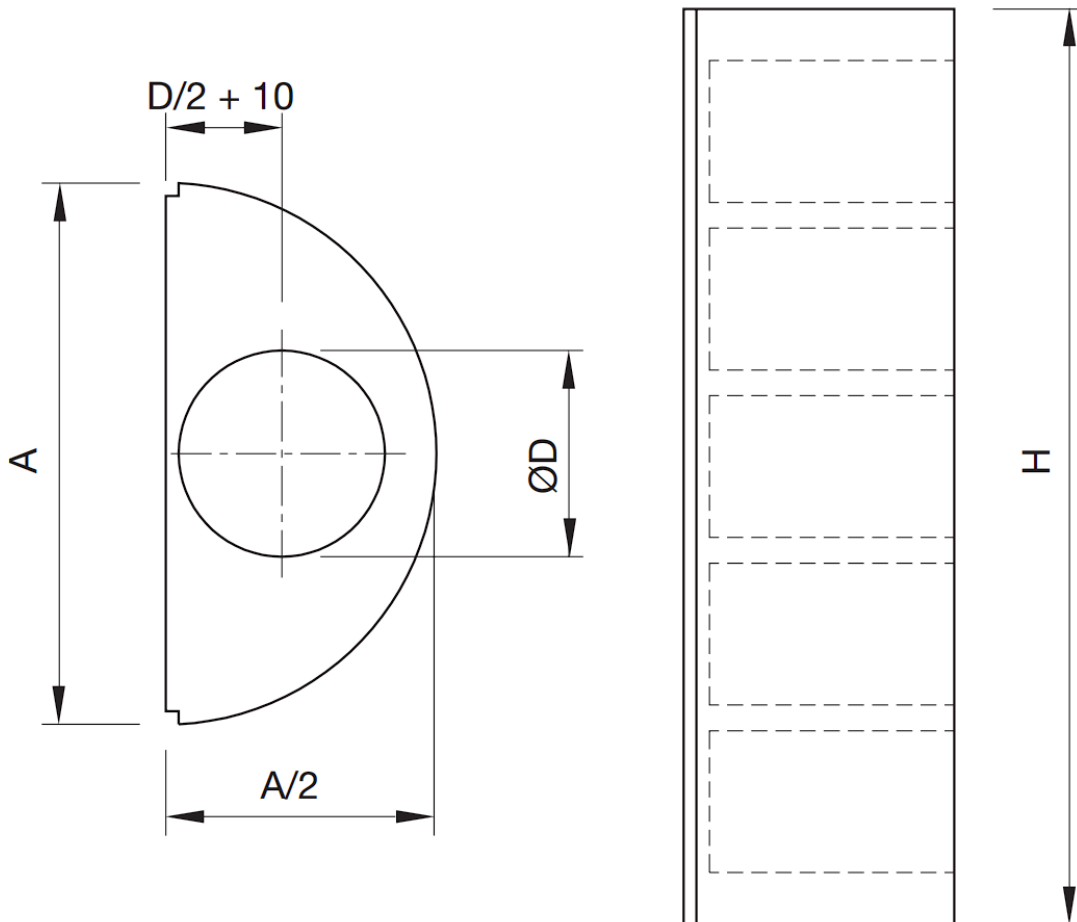
Ordering example

Product	CBA	aaaa
Type		
Size		

Order – accessories

- Cover: CBAZ – 0 – size
- Plinth: CBAZ – 2 – size
- Wall bracket: CBAZ – 3 – size

Dimension



Size	A [mm]	ØD [mm]	H [mm]	Weight [kg]
1207	350	125	710	6.50
1607	420	160	710	7.50
2010	500	200	970	13.0
2510	600	250	970	18.0
3115	730	315	1490	35.0
4020	900	400	2010	58.0
5020	1100	500	2010	78.0

Accessories

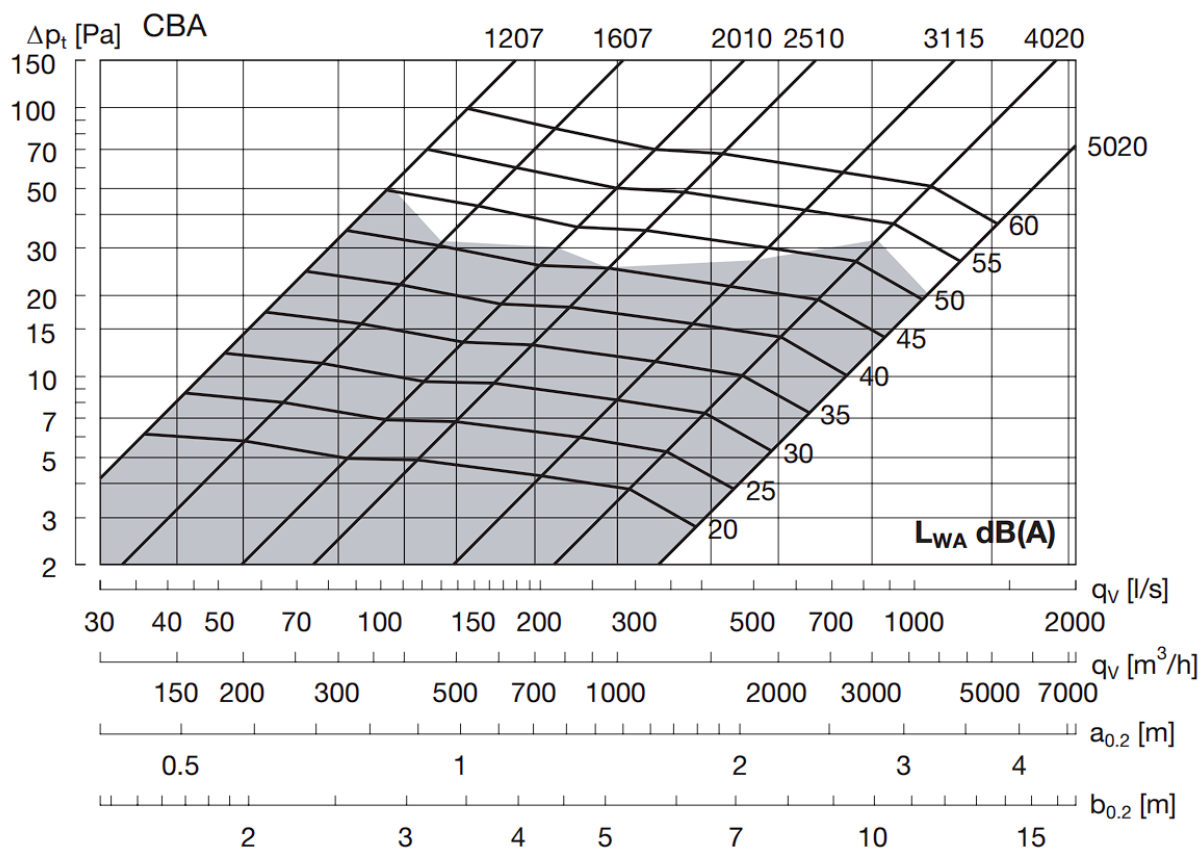
Can be supplied with duct cover, plinth and bracket for wall mounting.

Materials and finish

Diffuser: Galvanised steel
 Nozzles: Black plastic
 Front plate: 1 mm galvanised steel
 Standard finish: Powder-coated
 Standard colour: RAL 9003 or RAL 9010 – white, gloss 30.

The diffuser is available in other colours. Please contact Lindab's sales department for further information.

Technical data



Recommended maximum volume flow.

The near zone is given at an under-temperature of -3 K to a maximum terminal velocity of 0.20 m/s.
 Conversion to other terminal velocities – see table 1, correction of the near zone for -3 K and -6 K respectively

Sound effect level

$$\text{Sound effect level } L_W \text{ [dB]} = L_{WA} + K_{ok}$$

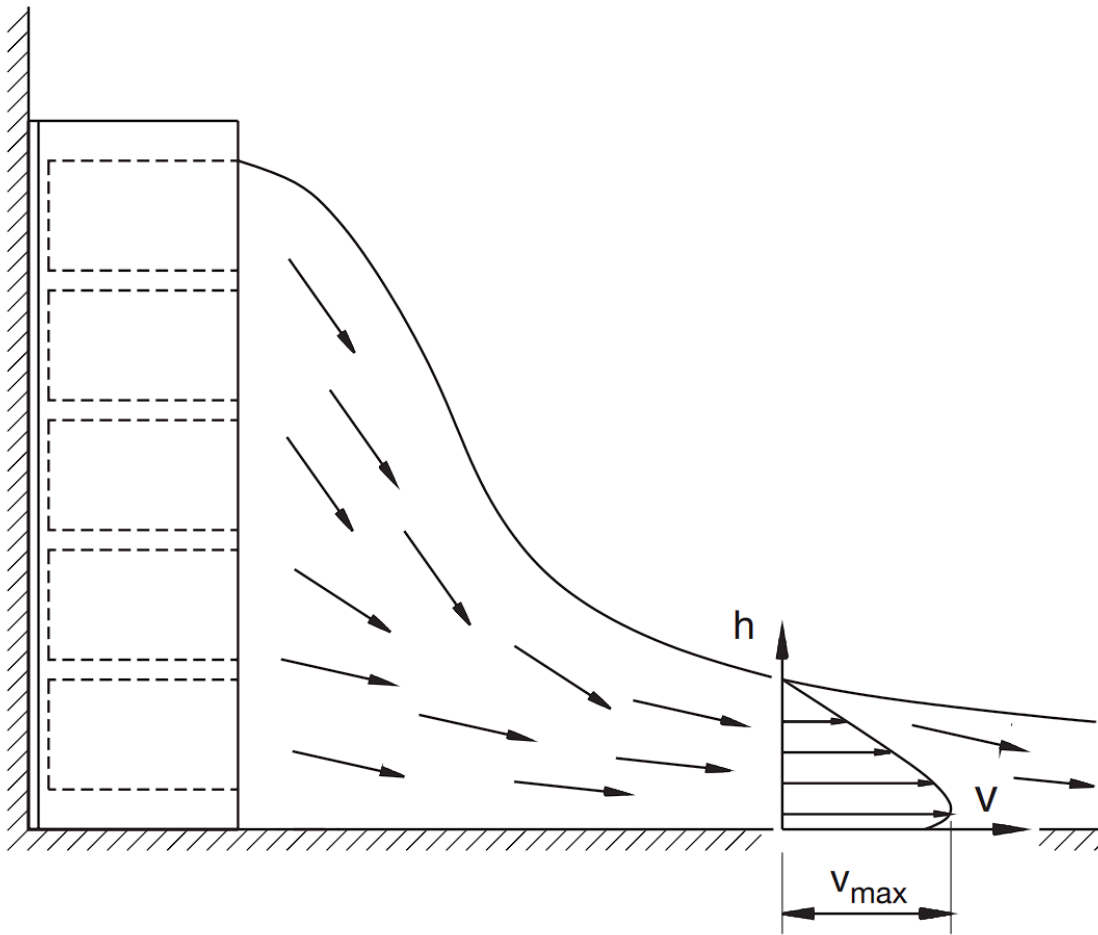
Size	Centre frequency Hz							
	63	125	250	500	1K	2K	4K	8K
1207	8	-3	0	1	-8	-15	-27	-38
1607	10	-3	3	0	-8	-18	-30	-33
2010	15	-2	3	0	-9	-16	-30	-37
2510	10	-1	4	-1	-9	-16	-29	-41
3115	11	1	4	-1	-8	-17	-30	-42
4020	13	3	4	-1	-9	-17	-30	-43
5020	7	2	2	0	-6	-16	-19	-17

Sound attenuation

Sound attenuation ΔL [dB] including end reflection.

Size	Size	Centre frequency Hz						
		125	250	500	1K	2K	4K	250
1207	19	14	5	3	2	1	2	1
1607	16	12	4	1	2	1	2	2
2010	12	8	4	2	3	2	2	2
2510	12	8	5	2	1	1	1	1
3115	11	8	3	2	1	1	2	2
4020	9	6	1	1	1	1	1	1
5020	7	5	0	1	1	1	1	2

Nearzone



Large diffusion
(factory setting)

Small diffusion

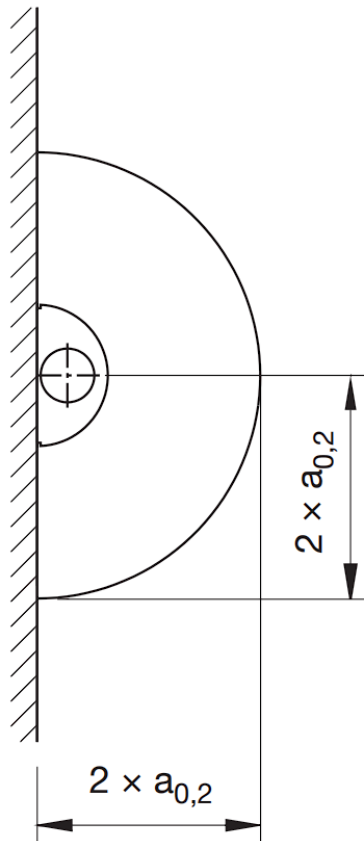
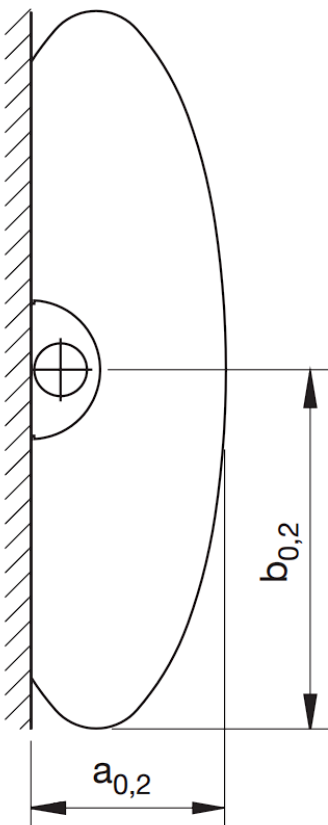


Table 1 Correction of the near zone ($a_{0,2}$, $b_{0,2}$)

	Under- temperature $T_i - T_r$	Maximum velocity m/s	Mean velocity m/s	Correction factor
-K3	0.20	0.10	1.00	
	0.25	0.12	0.80	
	0.30	0.15	0.70	
	0.35	0.17	0.60	
	0.40	0.20	0.50	
-6K	0.20	0.10	1.20	
	0.25	0.12	1.00	
	0.30	0.15	0.80	
	0.35	0.17	0.70	
	0.40	0.20	0.60	

Lindab reserves the right to make changes without prior notice
2020-10-06



Documents / Resources



[Lindab CBA Perforated Diffuser \[pdf\] Instructions](#)
CBA Perforated Diffuser, CBA, Perforated Diffuser

Related Manuals / Resources



[Diffuser Holder Instructions](#)

Diffuser Holder Instructions Model: A001 Instructions Accessories Notes: The maximum load is 5kg for the bamboo tray. Please...



[Lindab CVA Perforated Diffuser Installation Guide](#)

Lindab CVA Perforated Diffuser Installation Guide Description Comdif CVA is a rectangular perforated displacement diffuser for installation in...

[tobii pro RealityMeter for PC Instructions](#)

Android Installation 1 ...



[AKG Professional Studio Headphones Instructions](#)

AKG Professional Studio Headphones HIGHLIGHTS Over-Ear Design Maximum comfort for long studio sessions Advanced Closed-Back Technology High noise...

Leave a comment

Your email address will not be published. Required fields are marked *

Comment *

Name

Email

Website

Save my name, email, and website in this browser for the next time I comment.

[Manuals+.](#)

- [home](#)
- [privacy](#)

