

 **LEDLENSER**
P9R Core LEP Core LEP
Rechargeable Torch



LEDLENSER P9R Core LEP Core LEP Rechargeable Torch Instruction Manual

[Home](#) » [LEDLenser](#) » LEDLENSER P9R Core LEP Core LEP Rechargeable Torch Instruction Manual 

Contents

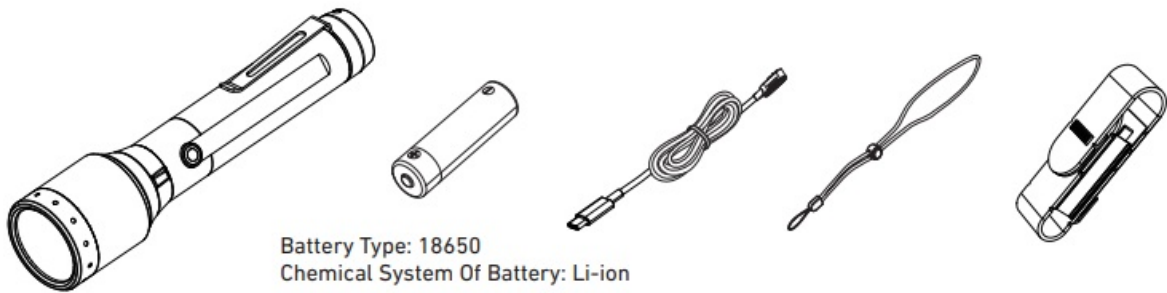
- [1 LEDLENSER P9R Core LEP Core LEP Rechargeable Torch](#)
- [2 Tools Required](#)
- [3 Transportation Lock](#)
- [4 Magnetic Charging System](#)
- [5 Battery Replacement](#)
- [6 Installation](#)
- [7 Documents / Resources](#)
 - [7.1 References](#)



LEDLENSER P9R Core LEP Core LEP Rechargeable Torch

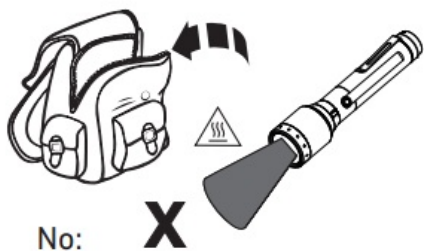
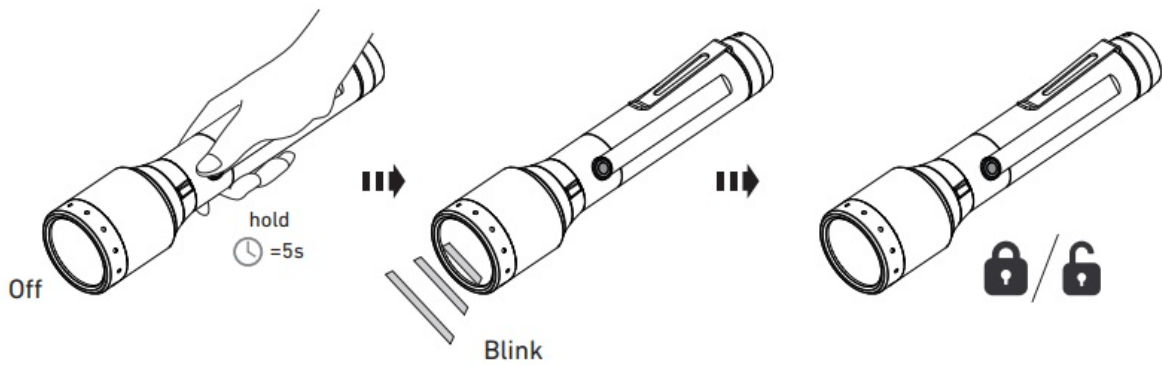


Tools Required

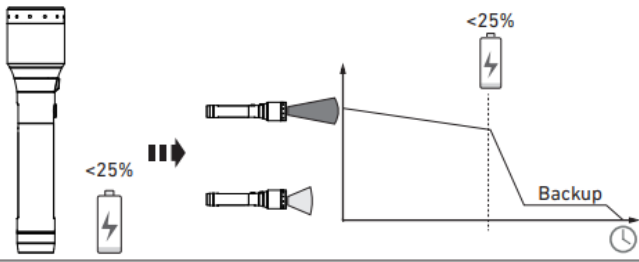


Battery Type: 18650
Chemical System Of Battery: Li-ion

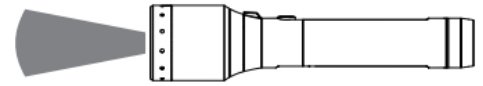
Transportation Lock



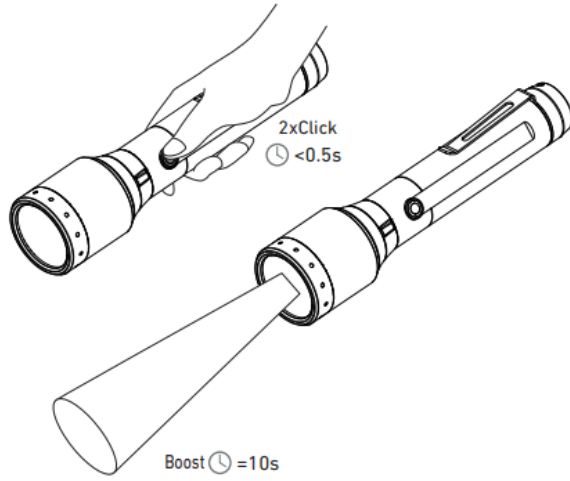
Backup Mode



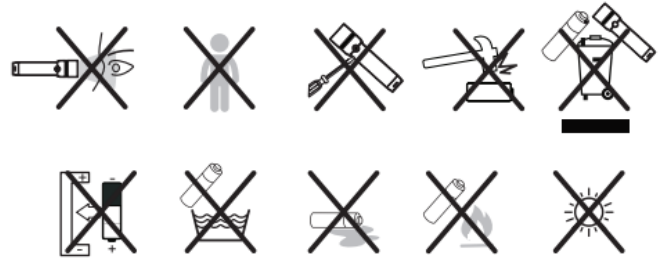
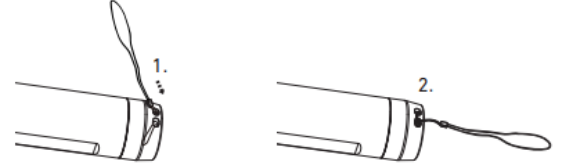
High Temperature



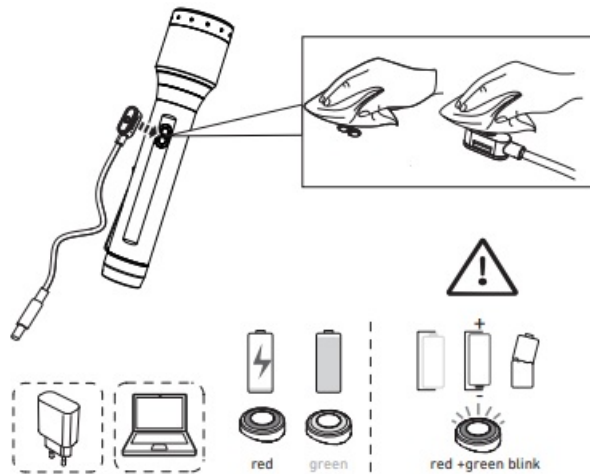
Boost



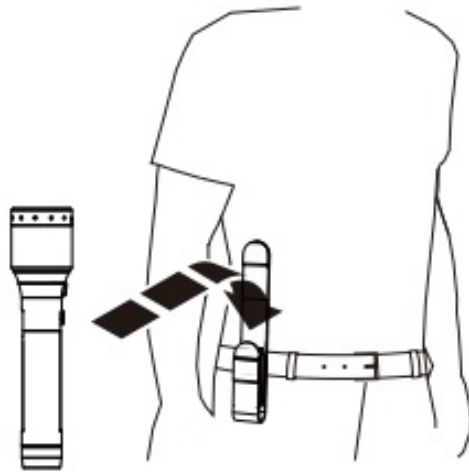
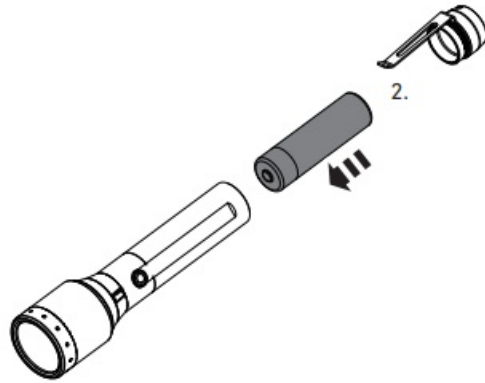
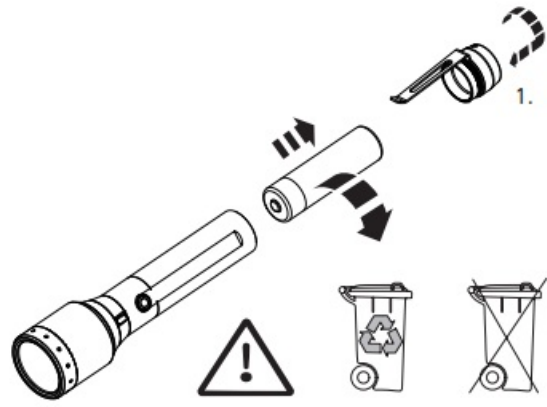
Lanyard



Magnetic Charging System

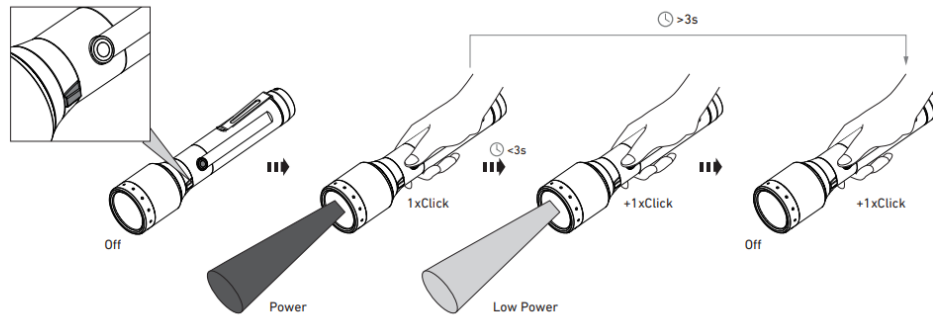


Battery Replacement

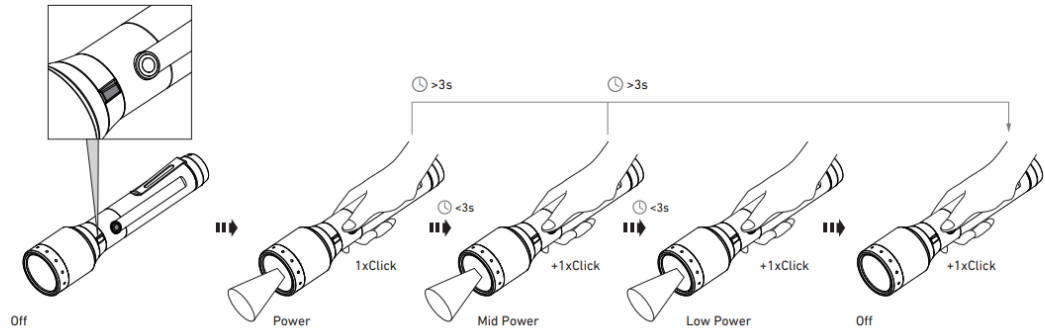


Installation

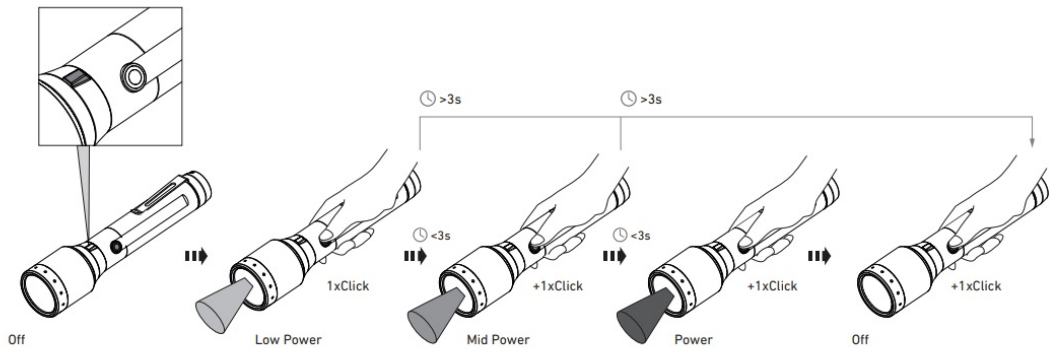
Mode 1/LEP



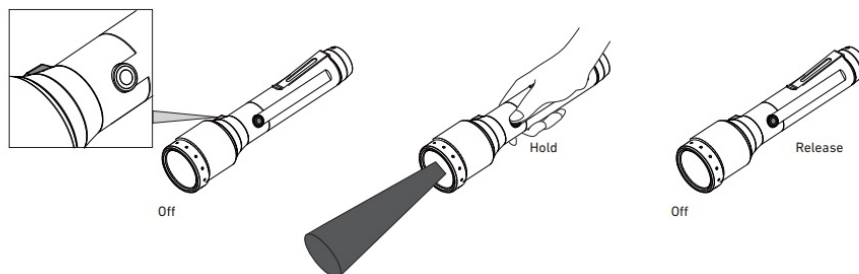
Mode 2/COB White



Mode 3/COB Red

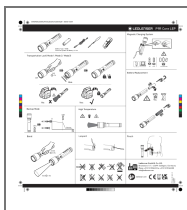


Mode 4/LEP Momentary



Ledlenser Gm bH & Co. KG
Kronenstr. 5-7, 42699 Solingen, Germany
Phone +49 212/5948-0 Fax +49 212/5948-200
info@ledlenser.com

Documents / Resources



[LEDLENSER P9R Core LEP Core LEP Rechargeable Torch](#) [pdf] Instruction Manual
P9R Core LEP Core LEP Rechargeable Torch, P9R, Core LEP Core LEP Rechargeable Torch,
Core LEP Rechargeable Torch, Rechargeable Torch, Torch

References

- [Ledlenser](#)
- [User Manual](#)

[Manuals+](#), [Privacy Policy](#)

This website is an independent publication and is neither affiliated with nor endorsed by any of the trademark owners. The "Bluetooth®" word mark and logos are registered trademarks owned by Bluetooth SIG, Inc. The "Wi-Fi®" word mark and logos are registered trademarks owned by the Wi-Fi Alliance. Any use of these marks on this website does not imply any affiliation with or endorsement.