



Contents [[hide](#)]

- [1 KSIX BXTILED55P LED Light](#)
- [2 Technical specifications](#)
- [3 In the box](#)
- [4 Diagram](#)
- [5 Safety precautions](#)
- [6 Safety, maintenance, and usage recommendations](#)
- [7 FAQ](#)
- [8 Documents / Resources](#)
 - [8.1 References](#)

KSIX

KSIX BXTILED55P LED Light



Characteristics

Technical specifications

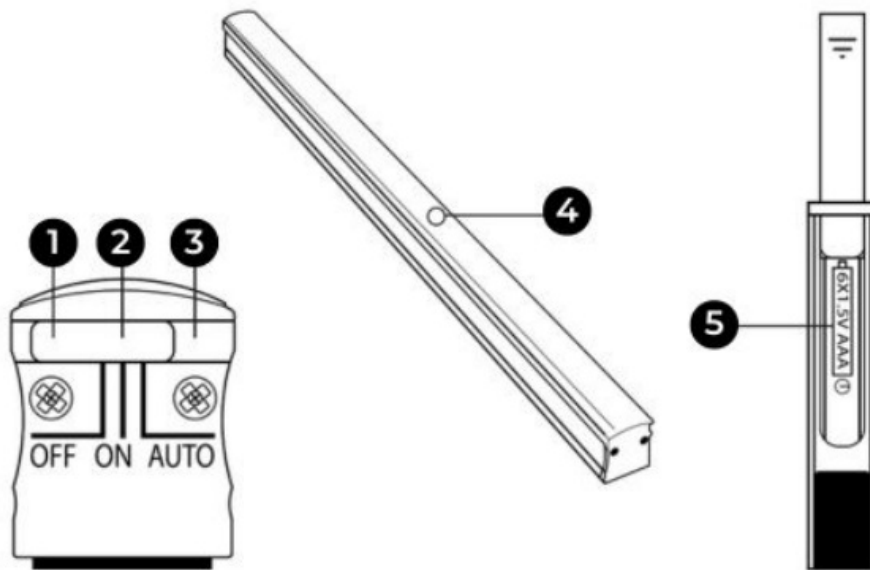
- Power: 1.44 W
- Input: 9 V
- Battery: 6 x AAA (not included) Luminous flux: 120 lumens
- Colour temperature: 4,000 K
- LED colour: Neutral white
- CRI index: 80
- Operating temperature: -20°C to +60°C Number of LEDs: 32 units
- Sensor type: Motion sensor
- Sensor range: 110°
- Protection rating: IP20
- Range distance: \approx 3 m
- Lifetime: 20,000 h
- Material: Aluminum + ABS + PC Dimensions: 55 x 2.3 x 1.8 cm
- Weight: 245 g

In the box

- x 1 LED light with sensor

- x 1 Magnetic adhesive strip
- x 1 User manual

Diagram



1. Off
2. On
3. Auto
4. Motion Sensor
5. Batteries location

Instructions for using the Grace LED light

The Grace LED light has 3 different modes:

Off

- Slide the side button to the left (Off) to turn the light completely off.

On

- Slide the side button to the center (On) to turn the light on. In this mode, the light will stay on, even if there is no movement in its operating range.

Auto

- Slide the side button to the right (Auto) to activate the automatic mode.
- This mode saves energy, as the light will only turn on when there is motion within its operating range and will turn off after about 20 seconds without detecting motion.
- In Auto mode, the light will only turn on when it is sufficiently dark. If the sensor detects light, the lamp will not turn on, even if there is movement within its range.

How to install the Grace LED lighting

1. Open the cover on the back of the light and insert 6 AAA batteries, then close the cover.
2. Remove the protective paper from the LED light.
3. Find a flat surface and clean the area where you want to place it for better adhesion.
4. Remove the protective strip from the magnetic adhesive strip on the back of the light and attach it where you have chosen.
5. Select one of the 3 available modes.
6. You can remove the LED light from the magnetic strip whenever you need to clean it, change the batteries, or use it as a flashlight.

Safety precautions

1. This product is powered by 6 AAA batteries. Do not mix old and new batteries.
2. Avoid installing this product in damp locations.
3. Do not expose this product to high temperatures or direct sunlight, as it may affect its proper operation.
4. Ensure that two lights are not installed too close together, as the illumination of one may interfere with the operation of the other.
5. Keep this product away from fire and water to prevent the risk of leakage or explosion.

Safety, maintenance, and usage recommendations

- Read all documentation and instructions provided before using the product.
- Use only accessories compatible with the product. Clean the product regularly with a dry cloth.
- The product must be unplugged or switched off when cleaning. Keep the product's ports and connectors clean from dust, dirt, etc., to ensure proper connection.

- Avoid breaking the product. Do not apply excessive pressure to any part of the product. Avoid impacts and falls that may damage the product.
- If the product has a cable, do not bend it and do not stretch it with excessive force to avoid damaging it. Avoid exposure to any liquid.
- Do not wet or immerse the product. Do not use the product with wet hands. Always keep the product in a dry place away from moisture.
- Always keep the product away from flammable materials and do not expose it to fire, heat sources, or extreme temperatures.
- When the product is not in use, unplug it and store it in a clean, dry place away from moisture and dirt.
- If water enters the product, immediately disconnect it from any power source or device to which it is connected.
- Do not use the product for any purpose other than that for which it was designed.
- Do not use the product if you notice any visible defects. Do not open or disassemble the product or attempt to repair it yourself. These actions invalidate the warranty.
- Keep the product out of the reach of children. Recycle the product in accordance with local environmental rules and regulations.
- If the product includes a battery, maintain the state of charge between 20% and 80% of its capacity to preserve the battery life.

Legal Notice

- Atlantis Internacional, S.L. declares that this product complies with the essential requirements and any other applicable or mandatory provisions of Directive 2014/53/EU.
- The functions and features described in this manual are based on tests conducted by Atlantis Internacional S.L.
- The user is responsible for inspecting and verifying the product upon purchase.
- Atlantis Internacional S.L. disclaims all liability for any personal, material, or financial damage, as well as any harm to your device due to improper use, abuse, or incorrect installation of the product.
- Warranty conditions are available at ksixmobile.com/warranty. CE compliance certificates can be accessed at ksixmobile.com/CE.



Disposal of Electrical and Electronic Equipment

- All devices bearing this symbol are Waste Electrical and Electronic Equipment (WEEE, as per Directive 2012/19/EU) and must be disposed of separately at an appropriate collection point.
- Do not dispose of it with household waste. If the device uses batteries, they must be removed and deposited at a specific collection point.
- If the batteries are non-removable, do not attempt to extract them; this must be done by a qualified professional.
- Separate disposal and recycling help conserve natural resources and prevent harmful effects on human health and the environment that could result from incorrect disposal.
- The final price of this product includes the cost of environmental management for the proper treatment of the generated waste.
- For more information, contact your vendor or local waste management authorities.

FAQ

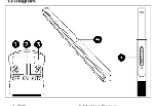
- Q: How do I change the batteries in the Grace LED light?
- A: To change the batteries, follow these steps:
 - Open the battery compartment located on the back of the light.
 - Remove the old batteries and replace them with 6 new AAA batteries.
 - Ensure the batteries are inserted correctly according to the polarity markings.
 - Close the battery compartment securely.

Documents / Resources

KSIX

DS16036-100 (2700000000)
General LED Light with max. 1000000000

1. Characteristics
1.1 Technical specifications
Item No. DS16036-100
Material: PC, ABS (not included)
Color: White, Blue, Red, Green
Power consumption: 400mW
LED type: SMD3528
Operating temperature: -20°C to +60°C
Storage temperature: -20°C to +60°C
Dimensions: 100x100x100mm
Weight: 10g



1.2 In the box
1. BXTILED55P LED Light
1. BXTILED55P LED Light
1. BXTILED55P LED Light

[KSIX BXTILED55P LED Light \[pdf\] User Manual](#)

BXTILED55P, M1000308P10A, BXTILED55P LED Light, BXTILED55P, LED Light, Light

References

- [User Manual](#)

📁 BXTILED55P, BXTILED55P LED Light, KSIX, LED Light, Light,

📁 KSIX M1000308P10A

Leave a comment

Your email address will not be published. Required fields are marked *

Comment *

Name

Email

Website

Save my name, email, and website in this browser for the next time I comment.

Post Comment

Search:

Search

[Manuals+](#) | [Upload](#) | [Deep Search](#) | [Privacy Policy](#) | [@manuals.plus](#) | [YouTube](#)

This website is an independent publication and is neither affiliated with nor endorsed by any of the trademark owners. The "Bluetooth®" word mark and logos are registered trademarks owned by Bluetooth SIG, Inc. The "Wi-Fi®" word mark and logos are registered trademarks owned by the Wi-Fi Alliance. Any use of these marks on this website does not imply any affiliation with or endorsement.