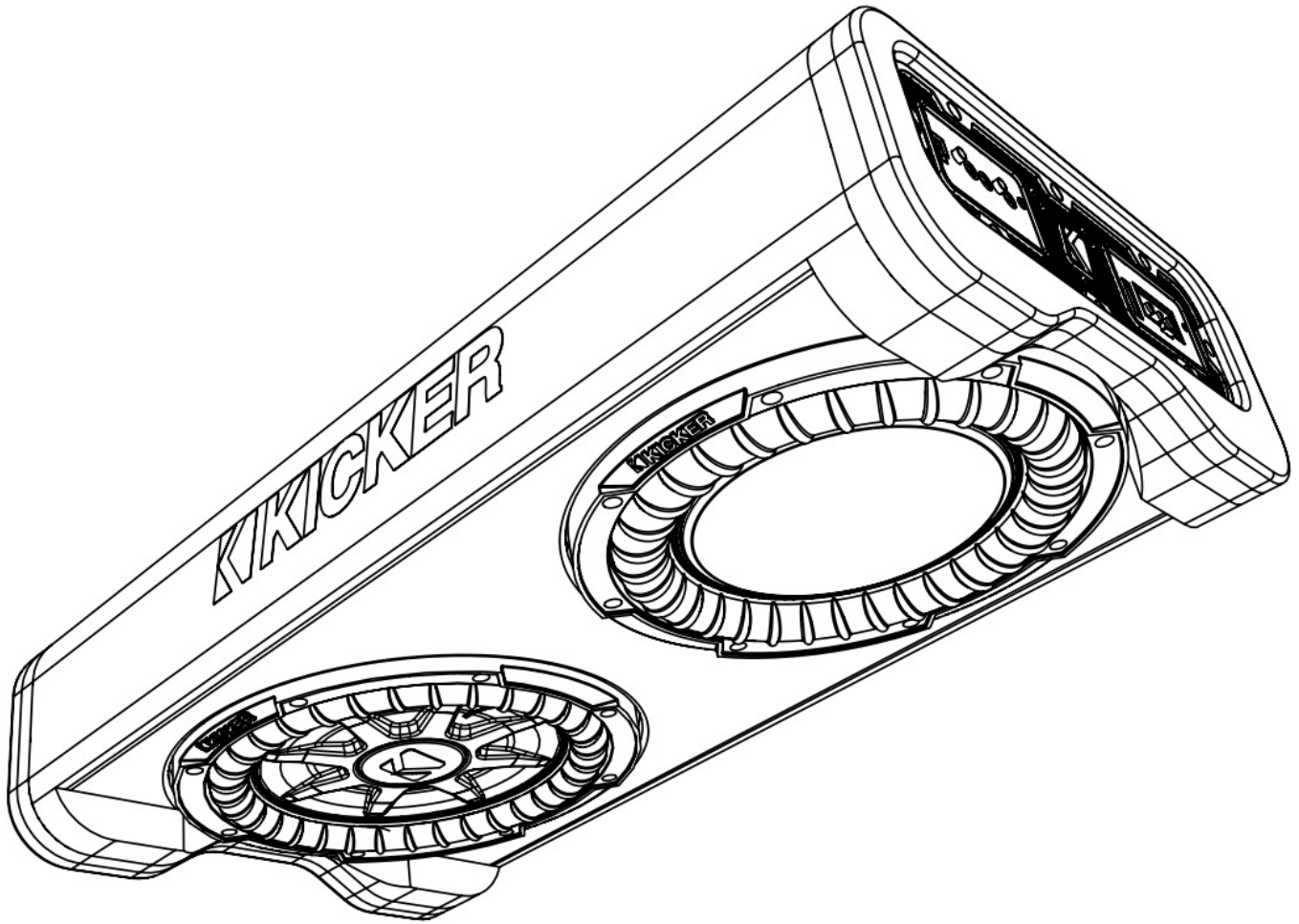




## **KICKER PTRTP Series Powered Down Firing Thin Profile Subwoofer Enclosure with Passive Radiator Owner's Manual**

[Home](#) » [KICKER](#) » **KICKER PTRTP Series Powered Down Firing Thin Profile Subwoofer Enclosure with Passive Radiator Owner's Manual** 

**KICKER PTRTP Series Powered Down Firing Thin Profile Subwoofer Enclosure with Passive Radiator**



## Contents

### 1 Overview

#### 1.1 IMPORTANT SAFETY WARNING

### 2 Specifications

### 3 Dimension

#### 3.1 PTRTP10

#### 3.2 PTRTP12

### 4 Installation

#### 4.1 Wiring

### 5 Mounting

### 6 Operation

### 7 Remote Bass Installation

### 8 Troubleshooting

### 9 Warranty

#### 9.1 WHAT TO DO IF YOU NEED WARRANTY OR SERVICE:

#### 9.2 WHAT IS NOT COVERED?

#### 9.3 HOW LONG WILL IT TAKE?

### 10 Int. Warranty

### 11 Documents / Resources

#### 11.1 References

### 12 Related Posts

## Overview

### IMPORTANT SAFETY WARNING

PROLONGED CONTINUOUS OPERATION OF AN AMPLIFIER, SPEAKER, OR SUBWOOFER IN A DISTORTED, CLIPPED OR OVER-POWERED MANNER CAN CAUSE YOUR AUDIO SYSTEM TO OVERHEAT, POSSIBLY CATCHING FIRE AND RESULTING IN SERIOUS DAMAGE TO YOUR COMPONENTS AND/OR VEHICLE. AMPLIFIERS REQUIRE UP TO 4 INCHES (10CM) OPEN VENTILATION. SUBWOOFERS SHOULD BE MOUNTED WITH AT LEAST 1 INCH (2.5CM) CLEARANCE BETWEEN THE FRONT OF THE SPEAKER AND ANY SURFACE. KICKER PRODUCTS ARE CAPABLE OF PRODUCING SOUND LEVELS THAT CAN PERMANENTLY DAMAGE YOUR HEARING! TURNING UP A SYSTEM TO A LEVEL THAT HAS AUDIBLE DISTORTION IS MORE DAMAGING TO YOUR EARS THAN LISTENING TO AN UNDISTORTED SYSTEM AT THE SAME VOLUME LEVEL. THE THRESHOLD OF PAIN IS ALWAYS AN INDICATOR THAT THE SOUND LEVEL IS TOO LOUD AND MAY PERMANENTLY DAMAGE YOUR HEARING. PLEASE USE COMMON SENSE WHEN CONTROLLING VOLUME.

TO AVOID POTENTIAL INJURY OR POSSIBLE DEATH FROM FORWARD MOVEMENT OF THE ENCLOSURE DURING ABRUPT STOPS OR ACCIDENTS, THE ENCLOSURE MUST BE PROPERLY INSTALLED AND SECURELY FASTENED TO YOUR VEHICLE. YOU ARE SOLELY RESPONSIBLE FOR SECURELY FASTENING THE ENCLOSURE IN YOUR VEHICLE. MAKE SURE THE MOUNTING SCREWS WILL NOT PUNCTURE THE GAS TANK/BRAKELINES/WIRING OR INTERFERE WITH ANY MECHANICAL PARTS ON THE UNDERSIDE OF THE MOUNTING SURFACE.

The PTRTP builds on the overwhelming success of our down-firing, thin-profile subwoofer enclosure by adding a signature KICKER amplifier to power it. Sporting a passive radiator and KICKER amplification, this box has been perfectly tuned and engineered from all angles, acoustic and electric, to be the absolute best-sounding, most-efficient, and loudest enclosure possible. Complete your system with a pair of KICKER coaxial speakers and multi-channel amplifier for an uncompromising audio experience.

Use this manual to install and operate your PTRTP Enclosure.

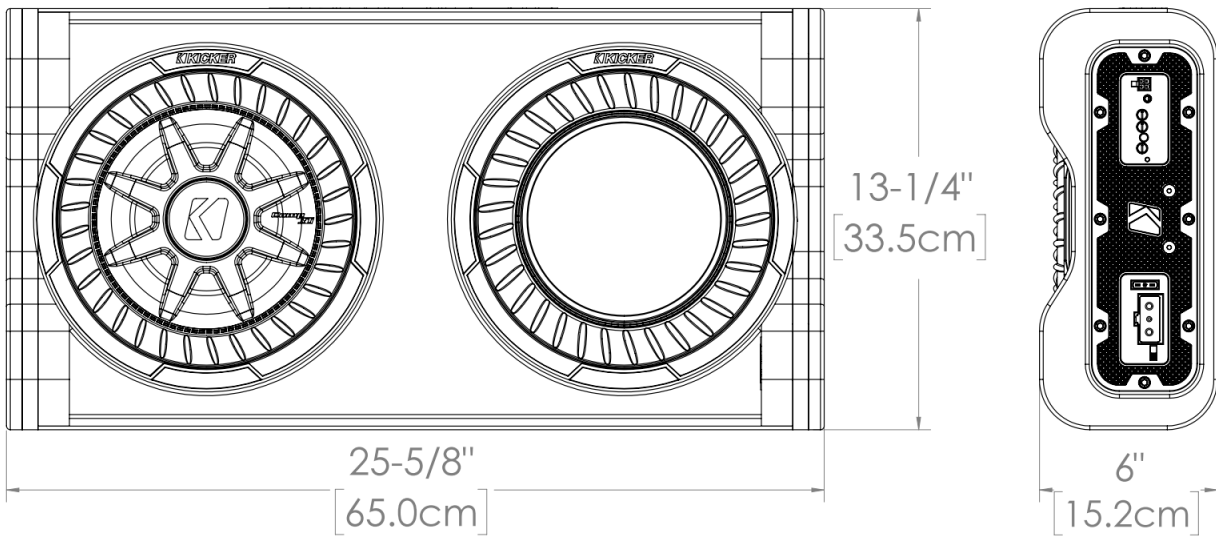
## Specifications

| <b>Model</b>      | <b>PTRTP10</b> | <b>PTRTP12</b> |
|-------------------|----------------|----------------|
| Woofer [in, cm]   | 10, 25         | 12, 30         |
| Height [in, cm]   | 5-5/8, 14.2    | 6-1/8, 15.6    |
| Width [in, cm]    | 25-5/8, 65     | 27-1/2, 70     |
| Depth [in, cm]    | 13-1/4, 33.5   | 14-5/8, 37     |
| RMS Power @ 14.4V | 400            | 500            |

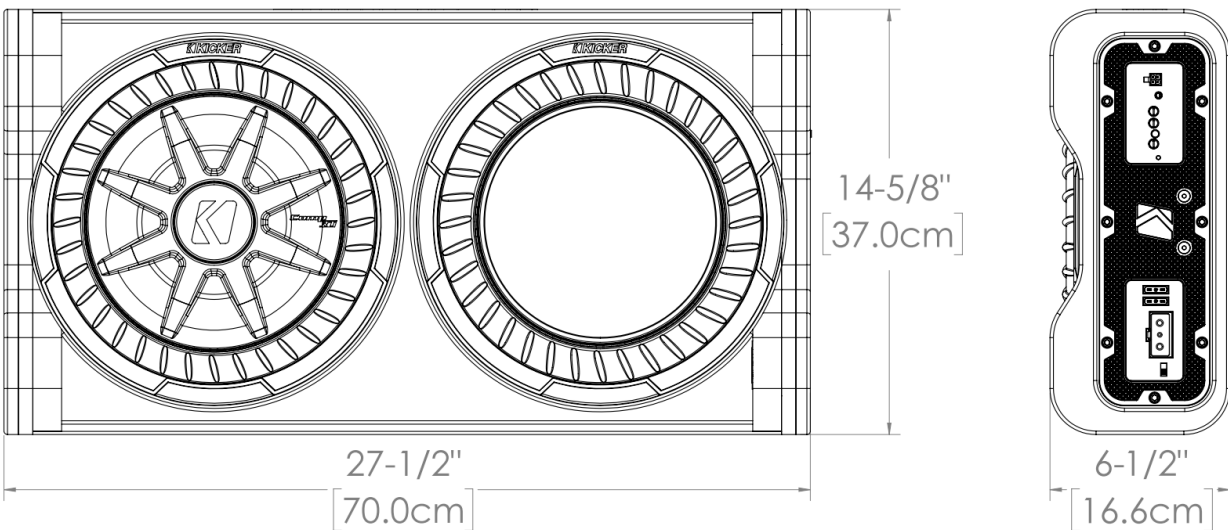
| Specifications Common to All Models |   |
|-------------------------------------|---|
| Frequency response [Hz]             | 25–120  |
| Electronic Crossover                | 12dB/octave Lowpass 50–120Hz; 12dB/octave Highpass @ 25Hz |
| Phase Switch                        | 0° / 180°   |
| Input Sensitivity                   | Low Level 125mV-5V, Hi Level 1V-40V                       |
| KickEQ™ Bass Boost                  | Variable to +6dB @ 40Hz                                   |
| Signal-to-Noise ratio [dB]          | >90dB, A-weighted, re: rated power                        |
| Remote Bass Control                 | Included  |

## Dimension

**PTRTP10**



## PTRTP12



## Installation

### Wiring

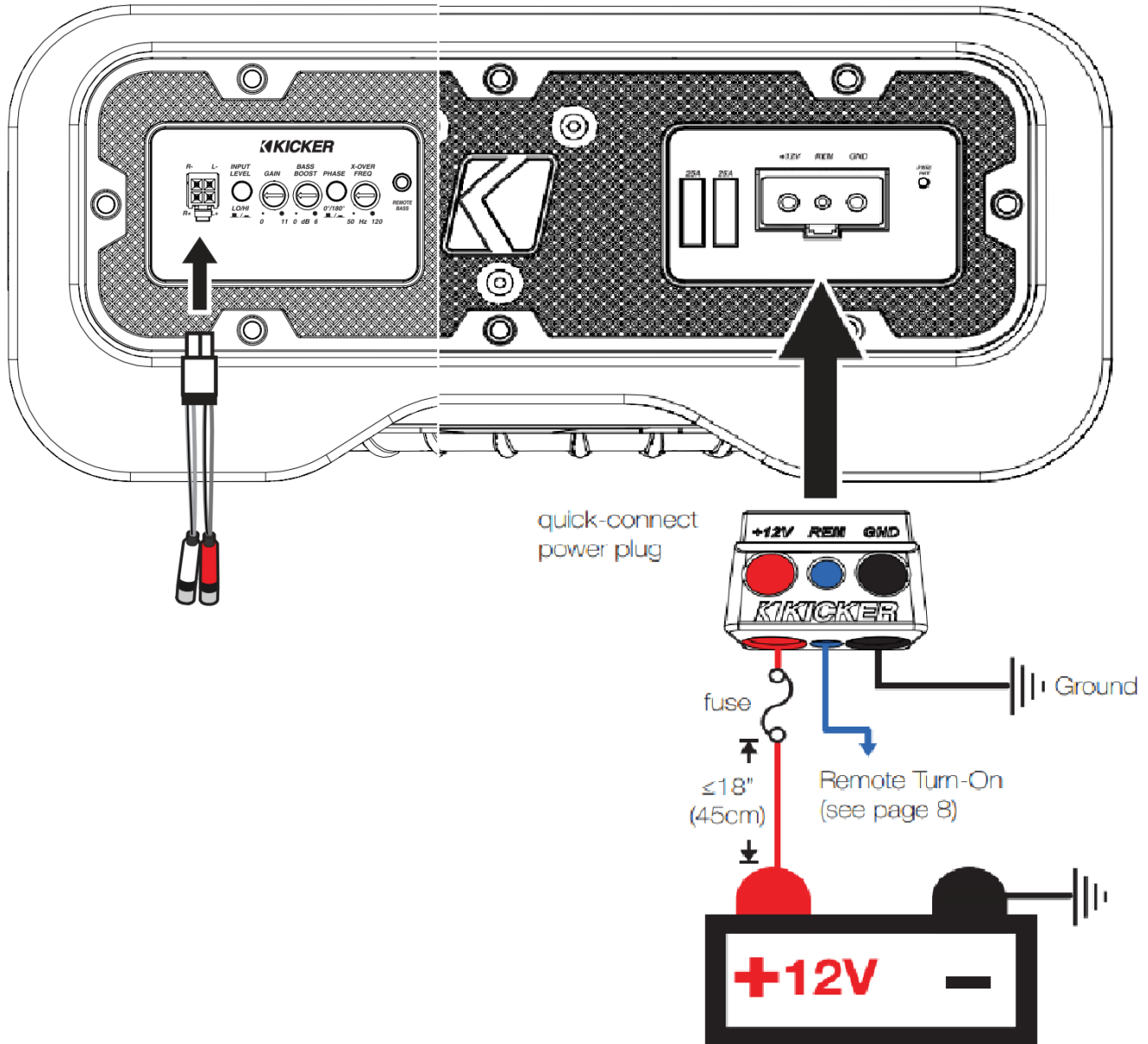
Disconnect the vehicle's battery to avoid an electrical short.

1. Make the ground wire as short as possible, 24" (60cm) or less, and connect the ground wire to a paint-and-corrosion-free, solid, metal area of the vehicle's chassis.
2. Connect the ground wire to the Quick-Connect Power Plug.
3. Run power wire to the battery.
4. Install a fuse holder in-line with the power wire as close as possible to the battery (withing 18"), making sure there is no fuse installed in the fuse holder.
5. Connect the power wire to the Quick-Connect Power Plug.
6. Connect remote wire to the Quick-Connect Power Plug (See Automatic Turn-On section to learn more).
7. Connect the Quick-Connect Power Plug to the amplifier.
8. Install the recommended fuse into the in-line fuse holder.
9. If you ever need to remove the enclosure from the vehicle after it has been installed, please make sure to

remove the fuse from the fuse holder on the power wire first before unplugging the quick-connect power plug. The ground wire should be the last wire disconnected – just the opposite as when you installed it.

| Model   | External Fuse (sold separately) | Power/Ground Wire | KICKER Wiring Kit |
|---------|---------------------------------|-------------------|-------------------|
| PTRTP10 | 1 x 40 Ampere                   | 4 Gauge           | KMPK4, PK4, CK4   |
| PTRTP12 | 1 x 60 Ampere                   | 4 Gauge           | KMPK4, PK4, CK4   |

Connect the wiring pigtail to the amplifier's audio inputs, then connect the audio output from your source unit to the RCA inputs.



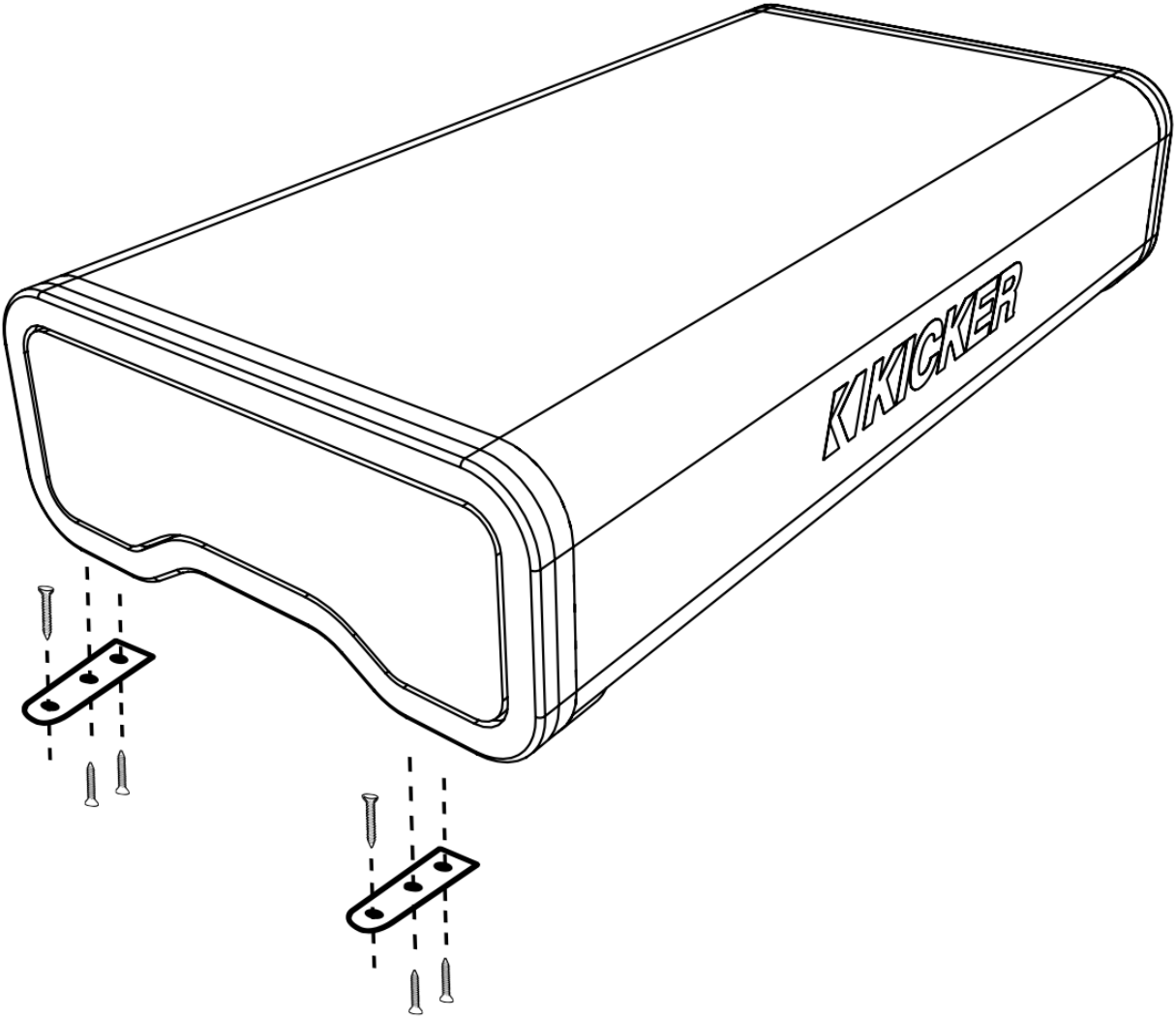
If needed, cut off the RCA connections to use hilevel input, or use the [KICKER KISL Speaker-RCA Converter](#).

quick-connect wiring harness audio inputs:

|             |         |
|-------------|---------|
| White       | Left +  |
| White/Black | Left -  |
| Grey        | Right + |
| Grey/Black  | Right - |

**Mounting**

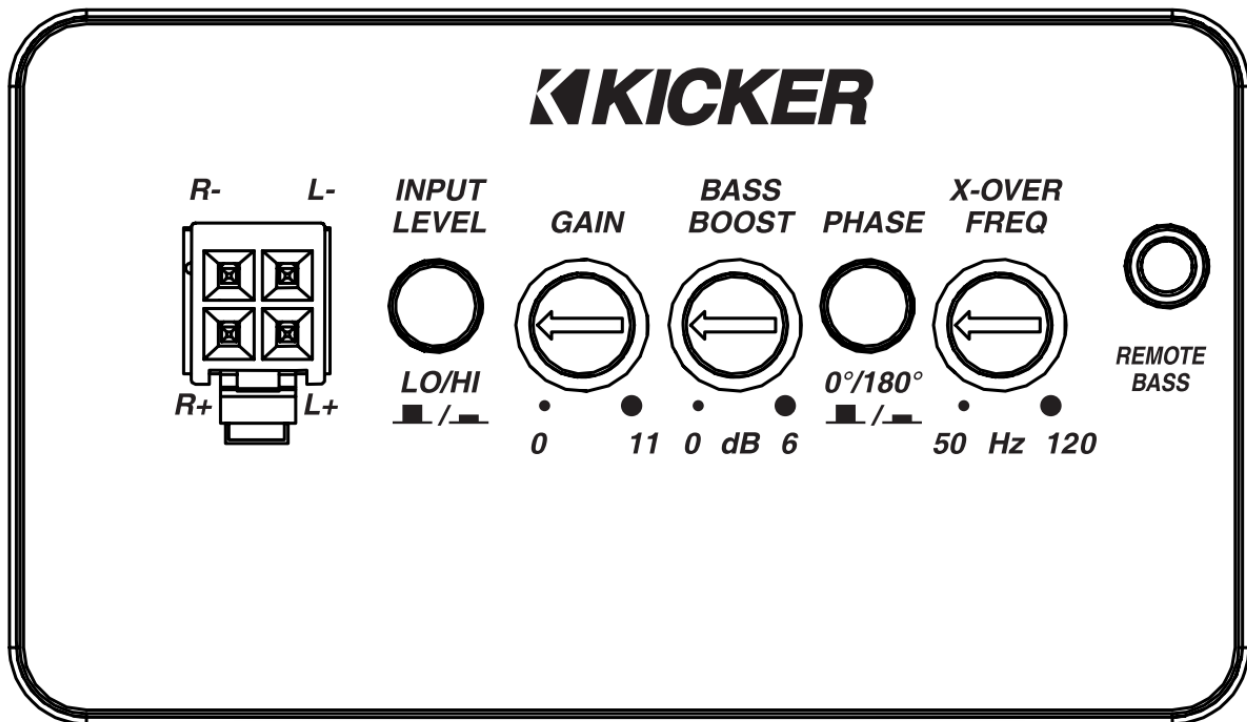
Choose a structurally sound location to mount your KICKER powered subwoofer enclosure. Make sure the mounting screws will not puncture the gas tank/ brake lines/wiring or interfere with any mechanical parts on the underside of the mounting surface. Choose a location that allows at least 4" (10cm) of open ventilation for the amplifier. If possible, mount the enclosure in the climate-controlled passenger compartment. A flat surface is required.



Mount the brackets to the bottom of the enclosure using the supplied smaller screws. Securely attach the enclosure to the vehicle with the supplied larger screws.

If the supplied mounting hardware is not applicable to your installation, some other means of securely attaching the enclosure to the vehicle must be used.

## Operation



**Automatic Turn-On:** KICKER powered enclosures offer two different automatic turn-on modes; +12V and DC Offset

- Remote Turn-On: Run 18 gauge wire from the Remote Turn-On Lead on your source unit to the Remote Turn-On input of the Terminal Adapter.
- DC Offset Turn-On: The DC Offset mode detects a >2.5V DC offset from the HI-Level speaker outputs when the source unit has been turned on

**Input Level:** The inputs on KICKER powered enclosures are capable of receiving either Hi (speaker-level) or Low-level (RCA) signals from your source unit. Set the Input Level switch on the side panel to match the outputs of your source unit.

**Input Gain Control:** The input gain control is not a volume control. It matches the output of the source unit to the input level of the amplifier. Maximum power out of the amplifier is possible with the gain in the lowest position. Incorrectly setting the gain can result in distorted output or damage to, and premature failure of, your enclosure. For a quick setup, turn the source unit up to about 3/4 volume (if the source unit goes to 30, turn it to 25). Slowly turn up (clockwise) the gain on the amplifier until you can hear audible distortion, then turn it down a little.

**Bass Boost Control:** The variable bass boost control on the side panel is designed to give you increased output (0–6dB) at 40 Hz. The setting for this control is subjective. If you turn it up, you must readjust the input gain control to avoid clipping the powered enclosure's amplifier.

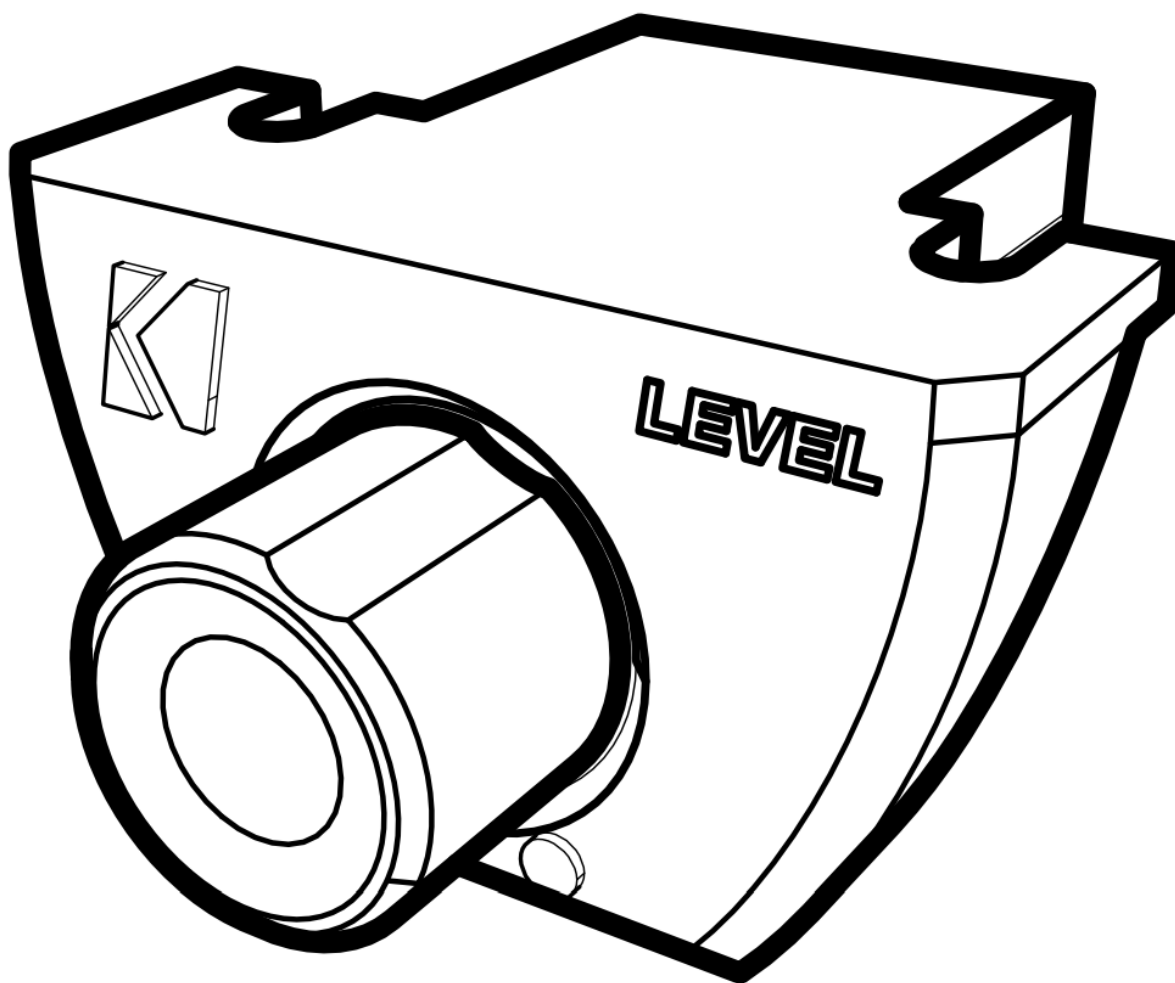
**Phase Switch:** The phase switch lets you invert the phase of the signal played through your powered subwoofer. This is useful if the speakers in your system are out of phase with the subwoofer. Toggle this switch to find the position that gives you the best bass response.



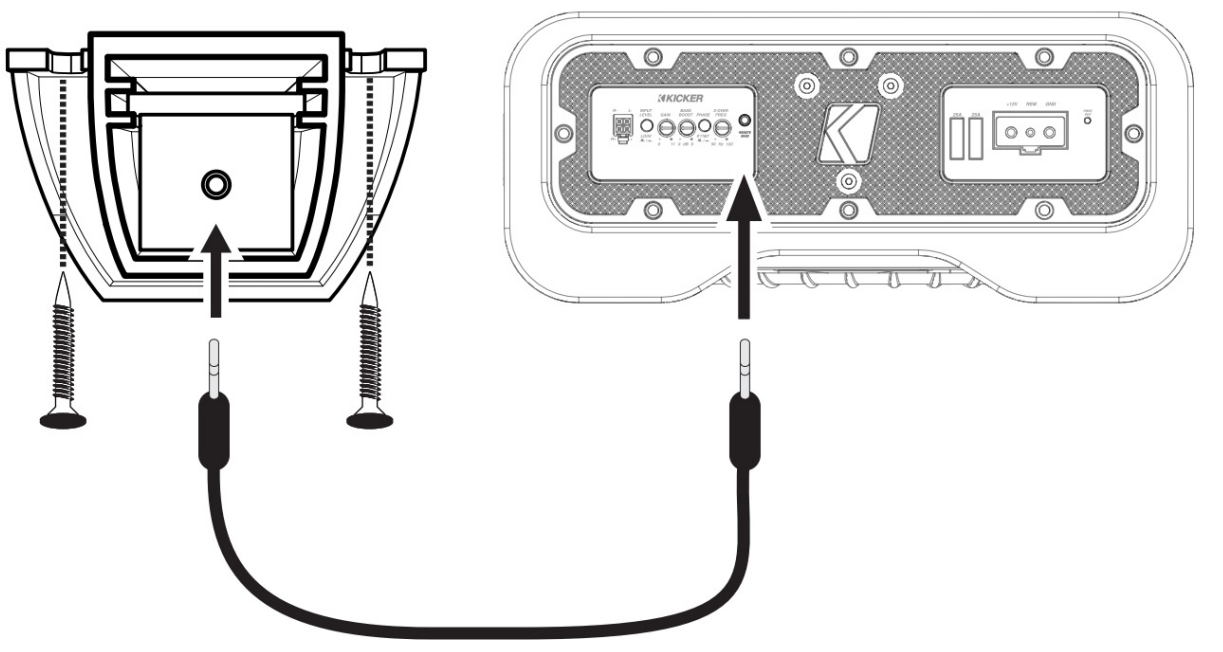
**X-Over Freq:** The variable crossover on the side panel allows you to adjust the crossover frequency from 50–120Hz. The setting for this control is subjective; 80Hz is a good place to start.

**Remote Bass Control:** With the included remote bass control, you have the ability to control the output level of your powered enclosure remotely. To surface mount the remote bass level control, simply screw the remote to the chosen location, then run the cable from the controller to the “Remote Bass” jack on the amplifier panel. Do NOT connect/disconnect while the amplifier is on.

### Remote Bass Installation



Remote cable passes audio; do not run cable parallel to power wires.



Connect the cable to the remote and the Remote Bass connection on the amplifier

## Troubleshooting

If your amplifier does not appear to be working, check the obvious things first such as blown fuses, poor or incorrect wiring connections, incorrect setting of crossover switch and gain controls, etc. The PWR/PRT LED on the side panel of your amplifier will reflect the state of the amplifier and the vehicle's charging system. When the LED is blue, this indicates the amplifier is turned on and no trouble exists.

**Blue LED off, no output?** With a Volt Ohm Meter (VOM) check the following: ❶ +12 volt power terminal (should read +12V to +16V) ❷ Remote turn-on terminal (should read +12V to +16V) ❸ Check for reversed power and ground connections ❹ Ground terminal, for proper conductivity.

**Blue LED on, no output?** Check the following: ❶ RCA connections ❷ Test speaker outputs with a "known" good speaker. ❸ Substitute source unit with a "known" good source unit. ❹ Check for a signal in the RCA cable feeding the amplifier with the VOM meter set to measure "AC" voltage.

**Red LED flickering with loud music?** The red LED indicates low battery voltage.

Check all the connections in your vehicle's charging system. It may be necessary to replace or charge your vehicle's battery or replace your vehicle's alternator.

**Red LED on, no output?** ❶ Amplifier is very hot = thermal protection is engaged. Test for proper impedance at the speaker terminals with a VOM meter (see the diagrams in this manual for minimum recommended impedance and multiple speaker wiring suggestions). Also check for adequate airflow around the amplifier. ❷ Amplifier shuts down only while vehicle is running = voltage protection circuitry is engaged. Voltage to the amplifier is not within the 10–16 volt operating range. Have the vehicle's charging and electrical system inspected. ❸ Amplifier will only play at low volume levels = short circuit protection is engaged. Check for speaker wires shorted to each other or to the vehicle chassis. Check for damaged speakers or speaker(s) operating below the minimum recommended impedance.

**No or low output?** ❶ Check the balance control on source unit ❷ Check the RCA (or speaker input) and speaker output connections.

**Alternator noise-whining sound with engine's RPM?** ❶ Check for damaged RCA (or speaker input) cable ❷ Check the routing of RCA (or speaker input) cable ❸ Check the source unit for proper grounding ❹ Check the gain settings and turn them down if they are set too high.

**Ground Noise?** KICKER amplifiers are engineered to be fully compatible with all manufacturers' head units. Some head units may require additional grounding to prevent noise from entering the audio signal. If you are experiencing this problem with your head unit, in most cases running a ground wire from the RCA outputs on the head unit to the chassis will remedy this issue.

**CAUTION:** When jump starting the vehicle, be sure that connections made with jumper cables are correct. Improper connections can result in blown amplifier fuses as well as the failure of other critical systems in the vehicle.

If you have more questions about the installation or operation of your new KICKER product, see the Authorized KICKER Dealer where you made your purchase. For more advice on installation, click on the SUPPORT tab on the KICKER homepage, [www.kicker.com](http://www.kicker.com). Choose the TECHNICAL SUPPORT tab, choose the subject you are interested in, and then download or view the corresponding information. Please E-mail [support@kicker.com](mailto:support@kicker.com) or call Technical Services (405) 624-8583 for unanswered or specific questions.

## Warranty

When purchased from an Authorized KICKER Dealer, KICKER warrants this product to be free from defects in material and workmanship under normal use for a period of ONE (1) YEAR from date of original purchase with receipt. If this product is identified as "Refurbished" or "B Goods", the warranty is limited to a period of THREE (3) MONTHS from the date of original purchase. In all cases you must have the original receipt. Should service be necessary under this warranty for any reason due to manufacturing defect or malfunction during the warranty period, KICKER will repair or replace (at its discretion) the defective merchandise with equivalent merchandise. Warranty replacements may have cosmetic scratches and blemishes. Discontinued products may be replaced with more current equivalent products. This warranty is valid only for the original purchaser and is not extended to owners of the product subsequent to the original purchaser. Any applicable implied warranties are limited in duration to a period of the express warranty as provided herein beginning with the date of the original purchase at retail, and no warranties, whether express or implied, shall apply to this product thereafter. Some states do not allow limitations on implied warranties; therefore, these exclusions may not apply to you. This warranty gives you specific legal rights; however you may have other rights that vary from state to state.

### WHAT TO DO IF YOU NEED WARRANTY OR SERVICE:

Defective merchandise should be returned to your local Authorized Stillwater Designs (KICKER) Dealer for warranty service. Assistance in locating an Authorized Dealer can be found at [www.KICKER.com](http://www.KICKER.com) or by contacting Stillwater Designs directly. You can confirm that a dealer is authorized by asking to see a current authorized dealer window decal.

If it becomes necessary for you to return defective merchandise directly to Stillwater Designs (KICKER), call the KICKER Customer Service Department at (405) 624-8510 for a Return Merchandise Authorization (RMA) number. Package only the defective items in a package that will prevent shipping damage, and return to:

**Stillwater Designs**  
**3100 North Husband St**  
**Stillwater, OK 74075**

The RMA number must be clearly marked on the outside of the package. Please return only defective components. The return of functioning items increases your return freight charges. Nondefective items will be returned freight-collect to you. For example, if a subwoofer is defective, only return the defective subwoofer, not the entire enclosure. Include a copy of the original receipt with the purchase date clearly visible, and a "proof-of-purchase" statement listing the Customer's name, Dealer's name and invoice number, and product purchased. Warranty expiration on items without proof-of-purchase will be determined from the type of sale and manufacturing date code. Freight must be prepaid; items sent freight-collect, or Cash-On-Demand, will be refused.

## **WHAT IS NOT COVERED?**

This warranty is valid only if the product is used for the purpose for which it was designed. It does not cover:

- Damage due to improper installation
- Subsequent damage to other components
- Damage caused by exposure to moisture, excessive heat, chemical cleaners, and/or UV radiation
- Damage through negligence, misuse, accident or abuse. Repeated returns for the same damage may be considered abuse
- Any cost or expense related to the removal or reinstallation of product
- Speakers damaged due to amplifier clipping or distortion
- Items previously repaired or modified by any unauthorized repair facility
- Return shipping on non-defective items
- Products with tampered or missing barcode labels
- Products with tampered or missing serial numbers
- Products returned without a Return Merchandise Authorization (RMA) number
- Products purchased from an UNAUTHORIZED dealer
- Freight Damage
- The cost of shipping product to KICKER
- Service performed by anyone other than KICKER

## **HOW LONG WILL IT TAKE?**

KICKER strives to maintain a goal of one week turnaround for all electronics (amplifiers, crossovers, equalizers, etc.) & acoustic returns. Delays may be incurred if lack of replacement inventory or parts is encountered. Failure to follow these steps may void your warranty. Any questions can be directed to the KICKER Customer Service Department at (405) 624-8510. Contact your International KICKER dealer or distributor concerning specific procedures for your country's warranty policies.

## **Int. Warranty**

Contact your International KICKER dealer or distributor concerning specific procedures for your country's warranty policies

Our goods come with guarantees that cannot be excluded under the Australian Consumer Law. You are entitled to a replacement or refund for a major failure and for compensation for any other reasonably foreseeable loss or damage. You are also entitled to have the goods repaired or replaced if the goods fail to be of acceptable quality and the failure does not amount to a major failure.




The phrase "Fuel for Livin' Loud" refers to the uncompromising quality and unyielding energy associated with KICKER car stereos and the fact that we encourage our customers to strive for the best ("Livin' Loud") in all aspects of their lives. KICKER loudspeakers and amplifiers are leaders in the mobile audio system market and are therefore the "fuel" for our customers' car stereo experience.

We encourage all of our customers to follow local noise regulations regarding the permitted and appropriate volume levels outside the car.

**P.O. Box 459  
Stillwater, Oklahoma 74076  
USA  
(405) 624-8510**



## Documents / Resources

|   |   |
|---|---|
|  <p><b>Owner's Manual</b><br/>Manual del Proprietario<br/>Manuel d'utilisation<br/>Benutzerhandbuch</p> <p>KICKER PTRTP<br/>Powered Down-Firing Thin Profile<br/>Subwoofer Enclosure with Passive Radiator</p>   | <p><a href="#">KICKER PTRTP Series Powered Down Firing Thin Profile Subwoofer Enclosure with Passive Radiator</a> [pdf] Owner's Manual</p> <p>49PTRTP-c-23, PTRTP Series Powered Down Firing Thin Profile Subwoofer Enclosure with Passive Radiator, PTRTP Series, Powered Down Firing Thin Profile Subwoofer Enclosure with Passive Radiator, PTRTP Series Powered Down Firing Thin Profile Subwoofer Enclosure, PTRTP 10, PTRTP12</p> |
|---|---|

## References

- [Car Audio, Home & Personal Audio | KICKER®](#)
- [2 Channel Speaker-RCA Converter - KISL | KICKER®](#)

[Manuals+](#)