

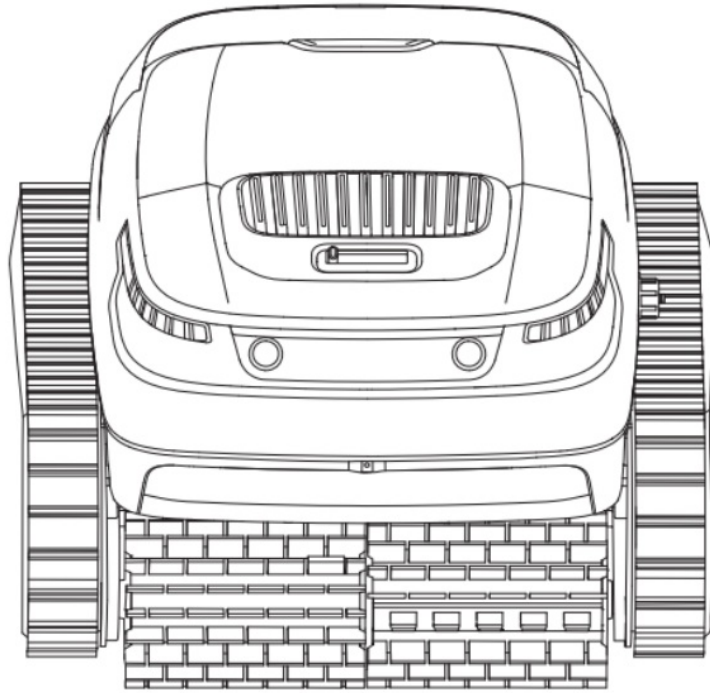


**Contents** [ [hide](#) ]

- [1 KAVACPOL01A P1 Pro Pool Robot](#)
- [2 Product Specifications](#)
- [3 Product Usage Instructions](#)
- [4 Safety & Warnings](#)
- [5 Components](#)
- [6 Overview](#)
- [7 Operation](#)
- [8 Cleaning & Care](#)
  - [8.1 Maintenance](#)
  - [8.2 Parts Replacement](#)
- [9 Specifications](#)
- [10 FAQ](#)
- [11 Disposal](#)
- [12 Need more information?](#)
- [13 AQ](#)
- [14 Documents / Resources](#)
  - [14.1 References](#)



**KAVACPOL01A P1 Pro Pool Robot**



## Product Specifications

- **Product Name:** P1 Pro Pool Robot
- **Model Number:** KAVACPOL01A
- **Safety & Warnings:** Chlorine, PH, Temperature, Sodium chloride, Maximum operating depth

## Product Usage Instructions

### Charging:

1. Remove the robot from the pool and turn it off.
2. Remove the protective cover and ensure the charging port is properly dried.
3. Connect the provided power adaptor to the charging port.
4. Connect the power adaptor to an electrical outlet.
5. The indicator will turn green while charging and turn blue when fully charged.
6. Disconnect the power adaptor and replace the protective cover on the charging port.

### Powering On and Selecting a Cleaning Mode:

To start the robot, move the 'Cleaning Mode' switch to the right. This will power on the robot and allow you to select the desired cleaning mode. Ensure the robot is fully charged before use.

## **Placing the Robot in the Pool:**

1. Select the desired cleaning mode and place the robot in the water as soon as possible.
2. Slowly lower the robot into the water. The robot will release any air in the body and sink to the bottom of the pool.
3. The robot will start cleaning within 10 seconds after reaching the bottom of the pool.

## **Removing the Robot from the Pool:**

1. The robot will automatically stop at the bottom edge of the swimming pool once the cleaning program has been completed or when the battery power is low.
2. Use the provided hook to carefully lift the robot from the pool.
3. After removing, place the 'Cleaning Mode' switch into the 'OFF' position.
4. The filter basket should be emptied and cleaned after every cleaning cycle. Refer to the 'Cleaning & Care' section.

## **Safety & Warnings**

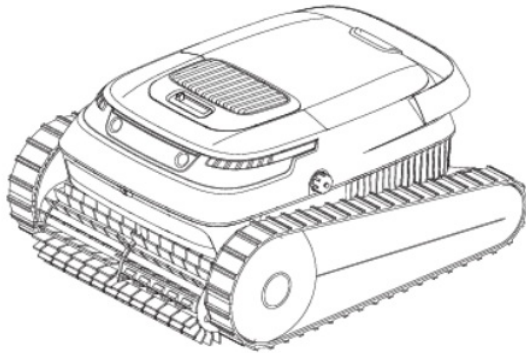
- Read this user guide carefully before using the product for the first time, and keep it for future reference.
- This product is intended for domestic use only and should not be used for commercial or industrial purposes.
- The product has undergone rigorous testing, including underwater tests, before leaving the factory. Some water droplets or dirt may be present inside, which will not affect performance.
- Do not operate the product while people or animals are in the pool.
- Fully charge the robot before first use.
- Only use the provided power adaptor for charging. Do not use third-party adaptors, extension cables, or charge near combustible materials.
- Do not use a damaged power adaptor. If the power cord is damaged, it must be replaced by Kogan.com, a service agent, or qualified personnel. Do not attempt to repair it yourself. Contact [help.Kogan.com](mailto:help.Kogan.com) for support.
- Ensure the charging port is dry before connecting to power.
- Charge the product in a safe, dry location away from water.

- Use an electrical outlet protected by a Residual Current Device (RCD) or a ground leakage circuit breaker.
- Do not charge or use the robot if any abnormalities are detected. Contact [help.Kogan.com](http://help.Kogan.com) for support.
- This product is not suitable for use by individuals with reduced physical, sensory, or mental capabilities unless supervised by a responsible person.
- Keep children supervised to prevent them from playing with the robot.
- Children must not clean or maintain the product without supervision.
- Dispose of all packaging materials properly and keep them away from children and pets.
- This product contains a non-replaceable battery. Do not disassemble it. When the battery reaches the end of its life, dispose of the product properly.
- Do not attempt to repair or modify any part of the product. If repairs are needed, contact [help.Kogan.com](http://help.Kogan.com) for support.
- Only qualified professionals should service this product, especially for the installation and maintenance of pool equipment. Always follow safety instructions.
- Before cleaning or performing maintenance on the robot, unplug it from the electrical outlet.
- Do not puncture, impact, or expose the robot to excessive temperatures.
- Remove the battery before recycling or disposing of the product. Disconnect from power before removing the battery.
- Dispose of used batteries according to local regulations. Seek professional recycling services if necessary.
- The motor's oil seal contains grease, which may cause minor water pollution if the motor is damaged. If a leak is suspected, cease use immediately and contact [help.Kogan.com](http://help.Kogan.com) for support.
- Charge the product at least 3 metres away from the pool's edge.
- Use the robot only under the following water conditions:

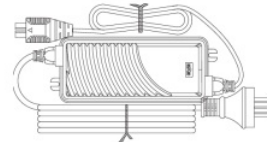
Chlorine	Max 4 ppm
PH	7.0-7.4
Temperature	5-35°C (41-95°F)

Sodium chloride	Max 5000 ppm
Maximum operating depth	2.5m

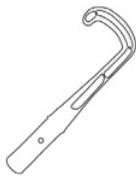
## Components



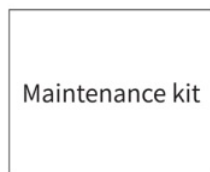
Pool Robot



Power Adaptor

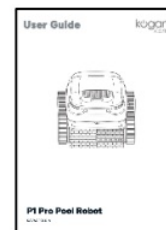


Hook



Maintenance kit

Maintenance Kit

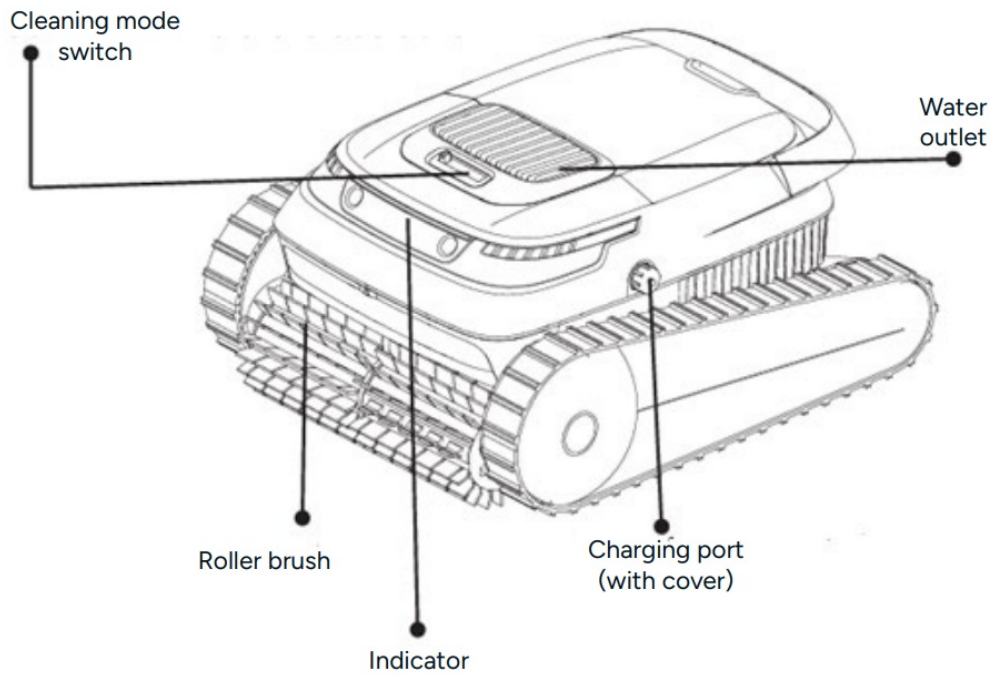


User Guide

## Maintenance Kit

- Combined machine screw 1 (x2)
- Combined machine screw 2 (x2)
- Self-tapping screw 1 (x4)
- Self-tapping screw 2 (x4)
- Flip buckle hand piece (x1)
- Circlip (x4)
- Rubber strip (x1)

## Overview

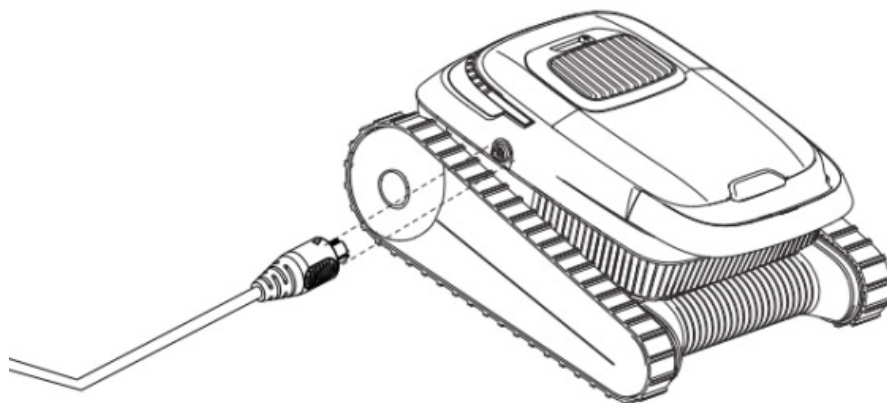


## Operation

### Charging

Fully charge the robot before first use.

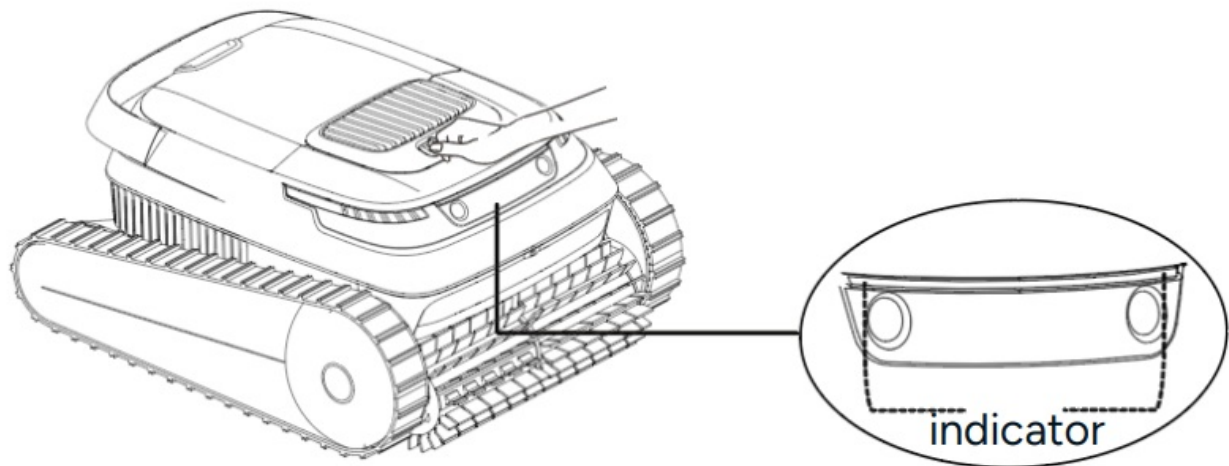
1. Remove the robot from the pool and turn it off.
2. Remove the protective cover and ensure the charging port is properly dried.
3. Connect the provided power adaptor to the charging port.
4. Connect the power adaptor to an electrical outlet.
5. The indicator will turn green while charging and turn blue when fully charged.
6. Disconnect the power adaptor and replace the protective cover on the charging port.



### Notes:

- Charge the product in a safe, dry location away from water.
- Charge the product at least 3m away from the pool's edge.

## Indicator

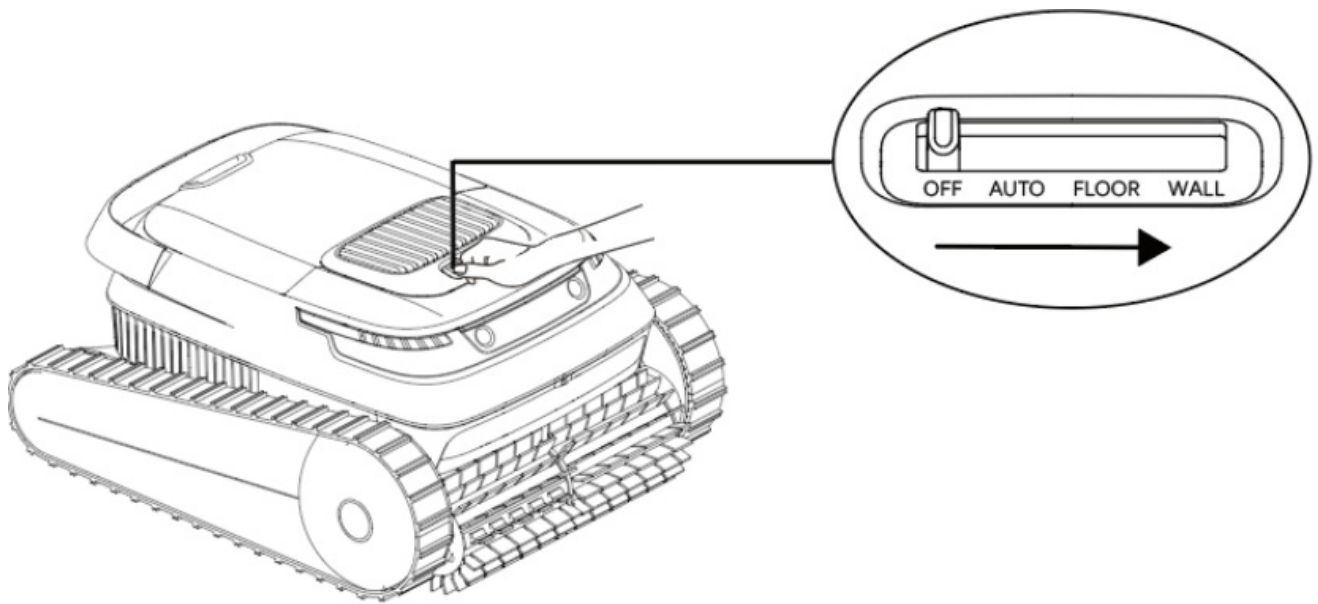


Indicator	Status
Green	Sufficient battery
Blue	Insufficient battery
Orange	Very low battery
Red	Fault

## Powering On and Selecting a Cleaning Mode

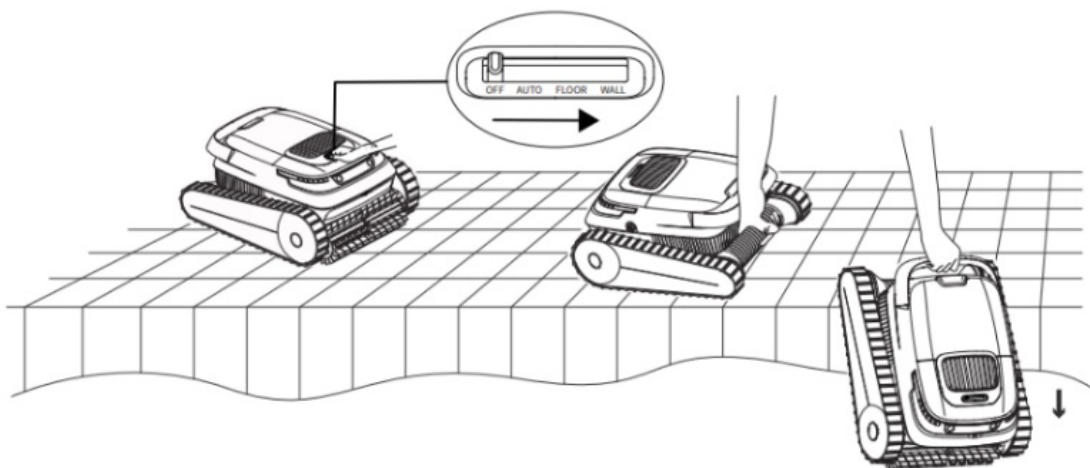
To start the robot, move the 'Cleaning Mode' switch to the right. This will power on the robot and allow you to select the desired cleaning mode. Ensure the robot is fully charged before use.

Switch Position	Cleaning Mode	Cleaning Area
AUTO	Intelligent cleaning	Clean the floor/wall/waterline
FLOOR	Floor cleaning	Clean only the floor
WALL	Wall cleaning	Clean the wall and waterline
OFF	Off	N/A



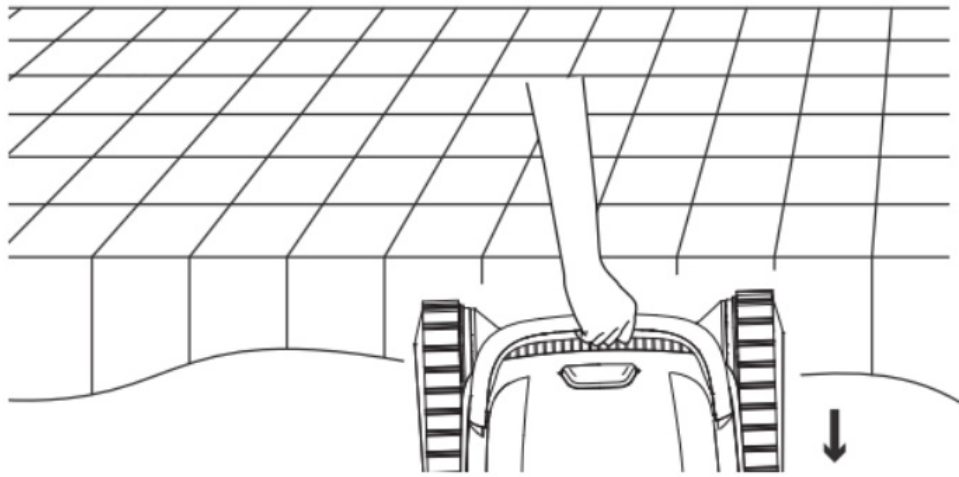
## Placing the Robot in the Pool

1. Select the desired cleaning mode and place the robot in the water as soon as possible.

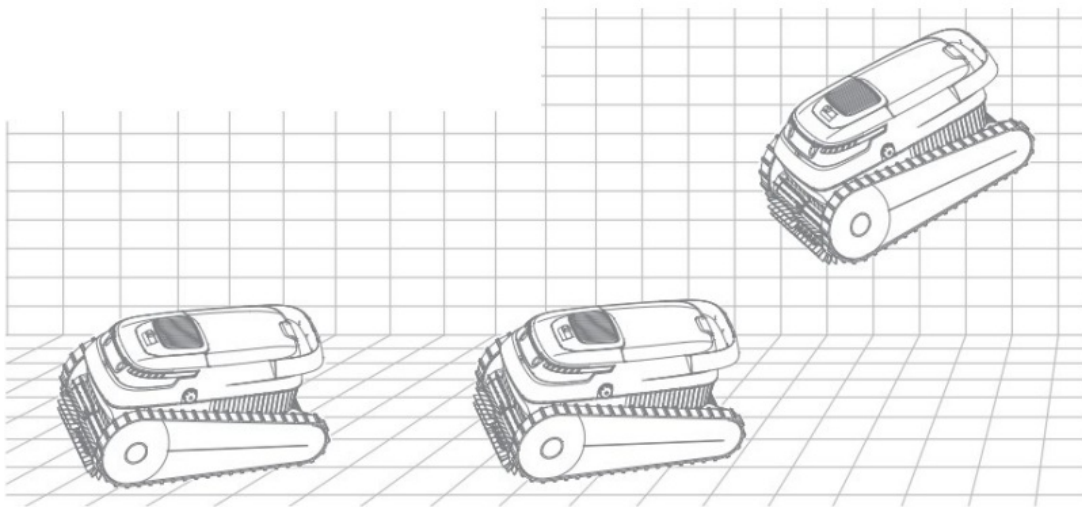


2. Slowly lower the robot into the water. The robot will release any air in the body and sink to the bottom of the pool.



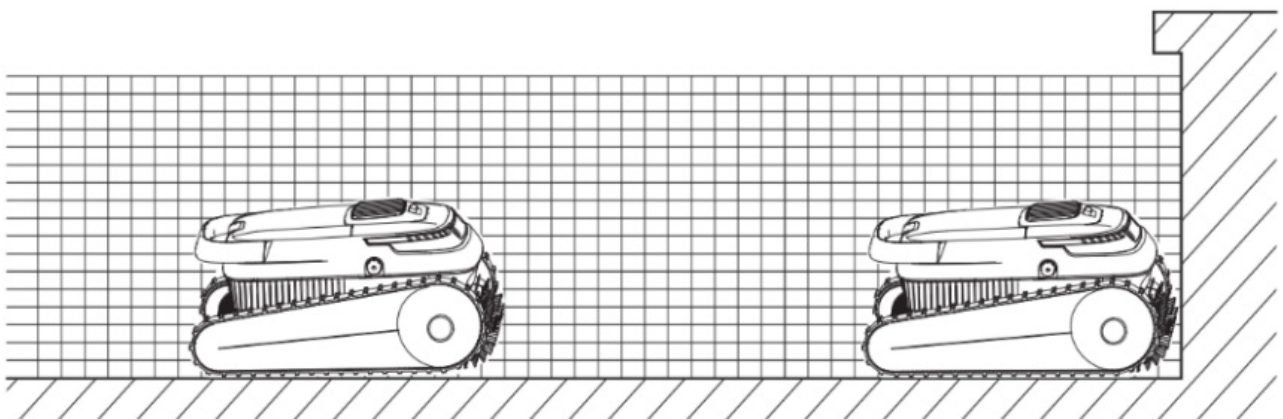


3. The robot will start cleaning within 10 seconds after reaching the bottom of the pool.

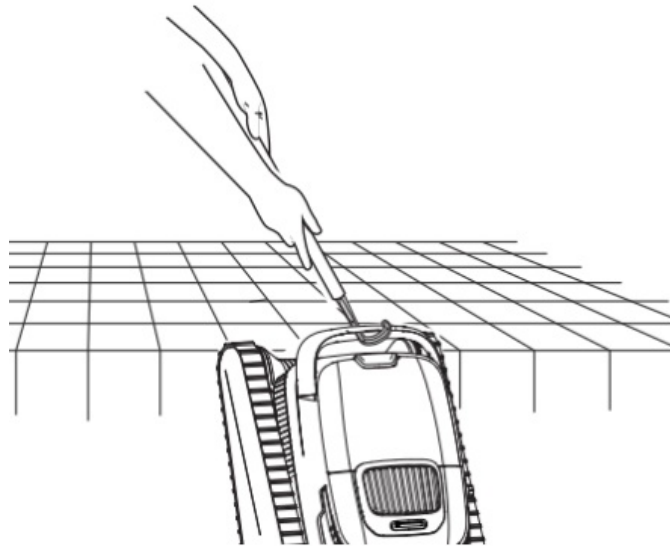


### Removing the Robot from the Pool

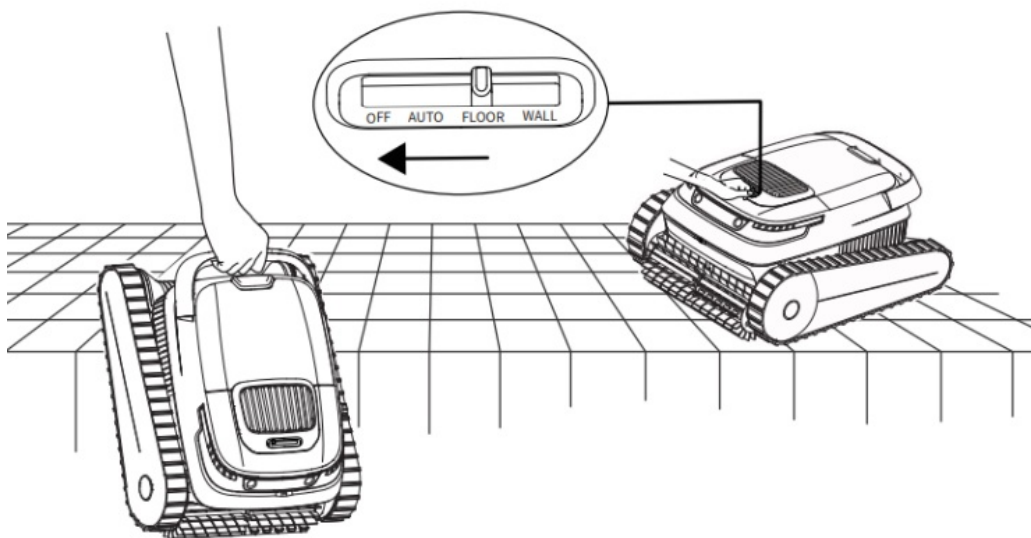
1. The robot will automatically stop at the bottom edge of the swimming pool once the cleaning program has been completed or when the battery power is low.



2. Use the provided hook to carefully lift the robot from the pool.



3. After removing, place the 'Cleaning Mode' switch into the 'OFF' position.
4. The filter basket should be emptied and cleaned after every cleaning cycle. Refer to the 'Cleaning & Care' section.

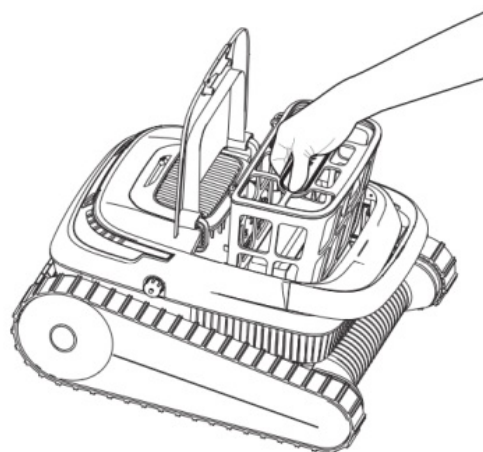
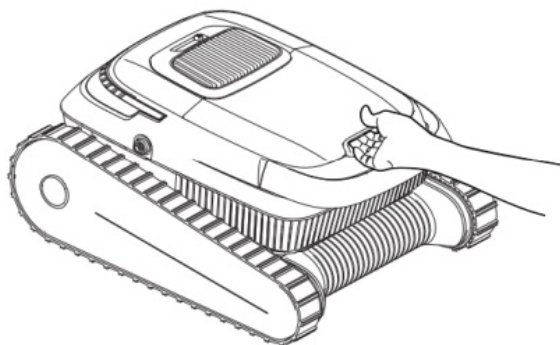


## Cleaning & Care

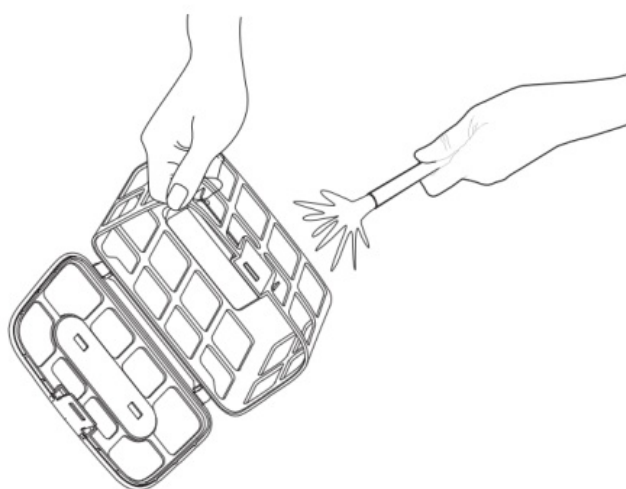
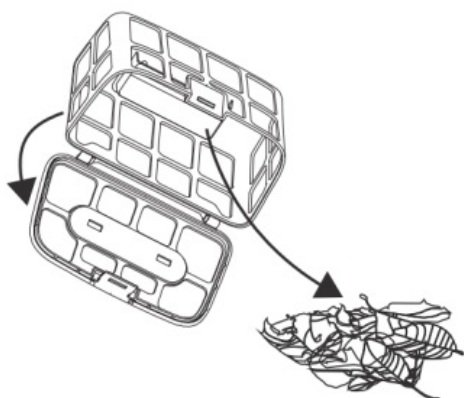
### Cleaning the Filter Basket

The filter basket must be cleaned after every cleaning cycle.

1. Open the filter compartment cover.
2. Remove the filter basket.



3. Open the filter basket cover and remove any debris.
4. Rinse the filter basket and place the filter basket back into the filter compartment.



**Note:**

Regularly clean the filter basket to maintain optimal performance. A clogged filter can reduce suction and prevent the robot from effectively collecting dirt and debris. If cleaning does not restore performance, the filter basket may need to be replaced. Contact [help.Kogan.com](http://help.Kogan.com) for support.

**Maintenance**

For optimal performance, ensure the robot is properly maintained by following these scheduled instructions.

**Daily Maintenance:**

- Clean the robot and filter basket after each cleaning cycle.
- Keep the robot away from direct sunlight.

- Ensure the charging port is dry before charging.

### **Periodic Maintenance:**

- **Every 3-4 months:** Inspect and clean the roller brushes, tracks, and gears.
- **Every 12 months:** Check for wear on tracks and roller brushes. Replace if necessary.

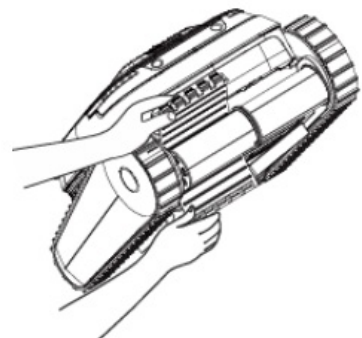
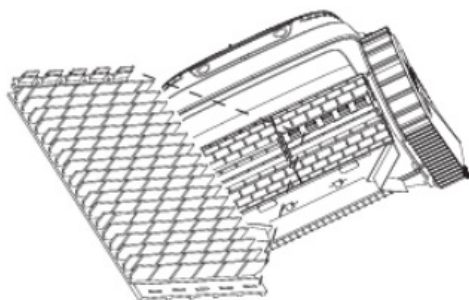
### **Off-season Storage:**

- Thoroughly clean and dry all components before storage.
- Fully charge the battery before storing.
- Store in a cool, dry place (5-45°C, humidity <80% RH).
- Charge the battery at least every 3 months to prevent over-discharge.
- Keep out of reach of children and unauthorised users.

### **Parts Replacement**

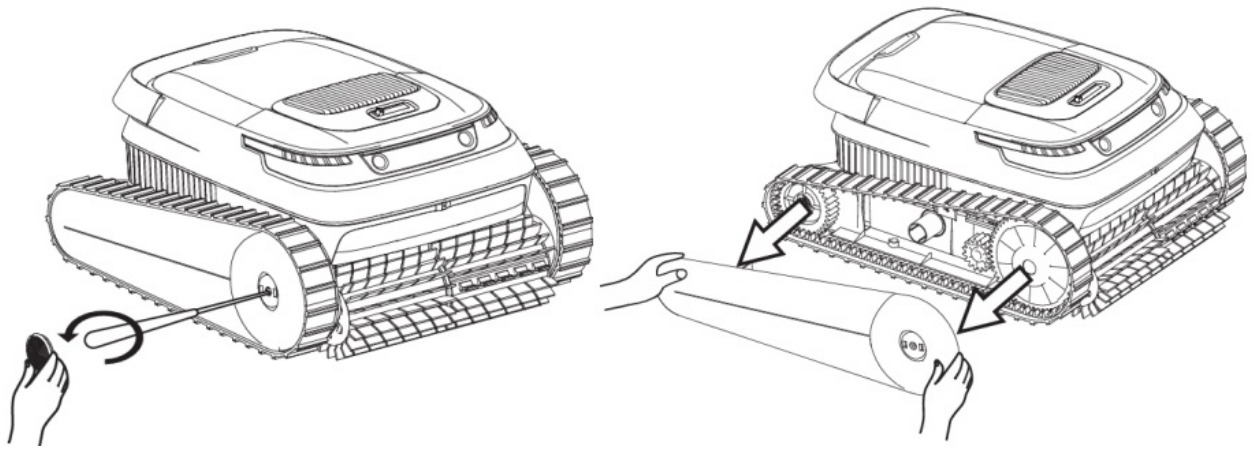
#### **Roller Brush:**

1. Remove the silicone buckles securing the roller brush.
2. Replace with a new roller brush and secure the buckles.

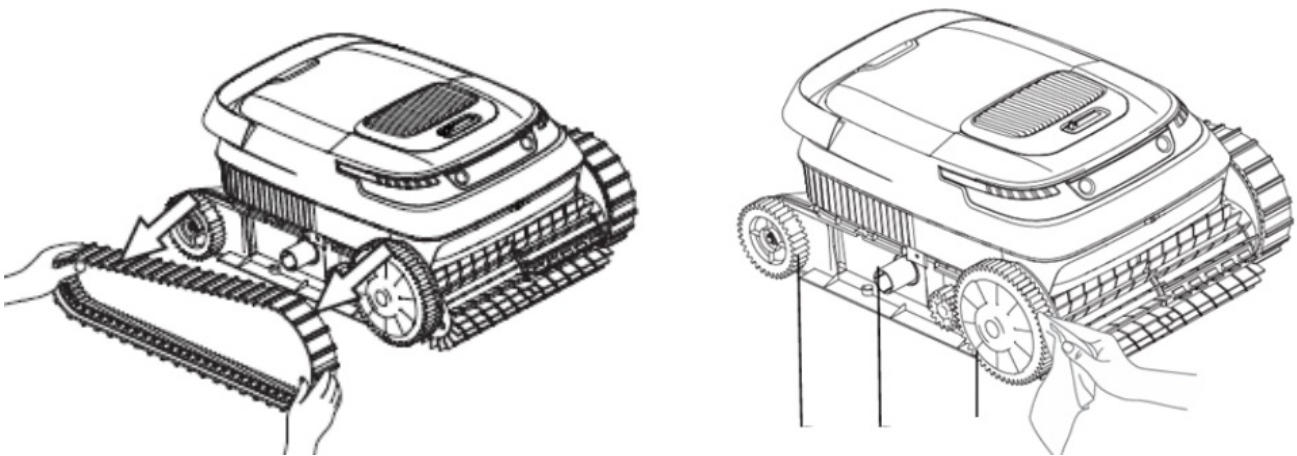


#### **Track Replacement:**

1. Remove the side panels: Use a Phillips head screwdriver to remove the 2 screw covers. Unscrew the 2 screws securing the side panels and track panels.
2. Carefully detach and set aside the side panels and track panels. Ensure that no debris or dirt is present in the track housing before proceeding with the replacement.



3. Remove the tracks.
4. Clean and dry all the components side of the panels.



5. Replace the tracks and reassemble the side panels.
6. Repeat the process for the other side of the robot.

## Specifications

- **Applicable pool size** 100m<sup>2</sup> (1,076ft<sup>2</sup>)
- **Pool depth** 0.5-2.5m (1.64-8.2 ft)
- **Robot dimensions** 488 x 419 x 237mm
- **Robot weight** 9.9kg
- **Charger input** 100-240V~50/60Hz
- **Charger output** 29.2V=3A (US: 29.4V=3A)
- **Robot input** 29.2V=3A (US: 29.4V=3A)
- **Lithium battery capacity** 5,200mAh (Max.)
- **Battery life** ≥ 2 hours
- **Charging time:** 2.5 hours
- **Filter density** 180μm

- **Moving speed** 10-15m/min
- **Waterproof rating** IP68
- **Storage temperature** -20°C to +45°C

## FAQ

If an issue persists after the suggested solutions are implemented, contact [help.Kogan.com](http://help.Kogan.com) for support.

Issue	Possible Cause	Solutions
The robot is not charging.	The electrical outlet has no power.	Check whether the electrical outlet is working.
	The power cord is not properly connected to the electrical outlet.	Check the connection between the power cord and the electrical outlet.
	The connection between the power adaptor and the robot is loose.	Check the connection between the robot and the power adaptor.
	The power adaptor is not working.	Ensure the indicator illuminates when the adaptor is connected to the robot. If not, replace the charger.  Contact <b>help.Kogan.com</b> for support
	Water has entered the charging port.	Dry the charging port and try charging again.
The robot is not working, or the indicator is	The battery is flat.	Fully charge the battery.

not on.	Check that the 'Cleaning Mode' switch is in the correct position	Place in the 'OFF' position and then try again.
The robot is not cleaning the pool walls.	The battery is too low.	Fully charge the battery.
	Check the 'Cleaning Mode' switch.	Place the 'Cleaning Mode' switch in either 'AUTO' or 'WALL'
	The filter basket is clogged.	Clean the filter basket.
	There is algae on the wall, and the pH value is not right.	Check the levels of chemicals in the water. Poor water quality can allow algae to grow, making walls slippery. In this case, adjust the water quality and manually scrub the walls.
	The tracks and/or roller brushes are worn.	Replace the tracks and/or roller brushes.

The robot moves in circles.	The filter basket is clogged.	Clean the filter basket.
	Debris is stuck on the tracks or roller brushes.	Remove any debris from tracks or roller brushes.
The robot stops underwater, and the indicator is red.	Debris is stuck on the tracks or roller brushes.	If the motor is stuck, check whether the left/right track can be manually rotated. If not, check for any obstructions on the track.
	Debris blocks the water pump motor impeller.	If the water pump motor is stuck, check for obstacles on the impellers.

<p>There are water droplets and dirt in the newly purchased robot.</p>	<p>Every robot has undergone rigorous testing before leaving the factory, including underwater testing. Therefore, there may be a trace amount of water droplets or dirt remaining inside.</p>	<p>This is normal and will not affect the operation of the robot.</p>
--	--	---

## Disposal

This marking indicates that this appliance should not be disposed of with other household wastes. To prevent possible harm to the environment or human health from uncontrolled waste disposal, recycle it responsibly to promote the sustainable reuse of material resources.

## Need more information?


- We hope that this user guide has given you the assistance needed for a simple setup.
- For the most up-to-date guide for your product, as well as any additional assistance you may require, head online to [help.Kogan.com](http://help.Kogan.com).

## AQ

### How often should I clean the filter basket?

The filter basket must be cleaned after every cleaning cycle to maintain optimal performance. If cleaning does not restore performance, consider replacing the filter basket. Contact help.[Kogan.com](http://Kogan.com) for support.

## Documents / Resources

 <p>User Guide kogan.com P1 Pro Pool Robot</p>	<p><a href="#">KAVAC KAVACPOL01A P1 Pro Pool Robot [pdf]</a> User Guide KAVACPOL01A P1 Pro Pool Robot, KAVACPOL01A P1, Pro Pool Robot, Pool Robot, Robot</p>
---	--



## References

- [User Manual](#)

📁 KAVAC, KAVACPOL01A P1, KAVACPOL01A P1 Pro Pool Robot, Pool Robot, Pro Pool Robot,

📁 KAVAC Robot

---

## Leave a comment

Your email address will not be published. Required fields are marked \*

Comment \*

Name

Email

Website

Save my name, email, and website in this browser for the next time I comment.

**Post Comment**

**Search:**

e.g. whirlpool wrf535swhz

**Search**

[Manuals+](#) | [Upload](#) | [Deep Search](#) | [Privacy Policy](#) | [@manuals.plus](#) | [YouTube](#)

This website is an independent publication and is neither affiliated with nor endorsed by any of the trademark owners. The "Bluetooth®" word mark and logos

are registered trademarks owned by Bluetooth SIG, Inc. The "Wi-Fi®" word mark and logos are registered trademarks owned by the Wi-Fi Alliance. Any use of these marks on this website does not imply any affiliation with or endorsement.