

Manuals+

User Manuals Simplified.



Kaadas RX-C Smart Digital Lock User Manual

January 11, 2022 January 11, 2022

[Home](#) » [Kaadas](#) » Kaadas RX-C Smart Digital Lock User Manual 

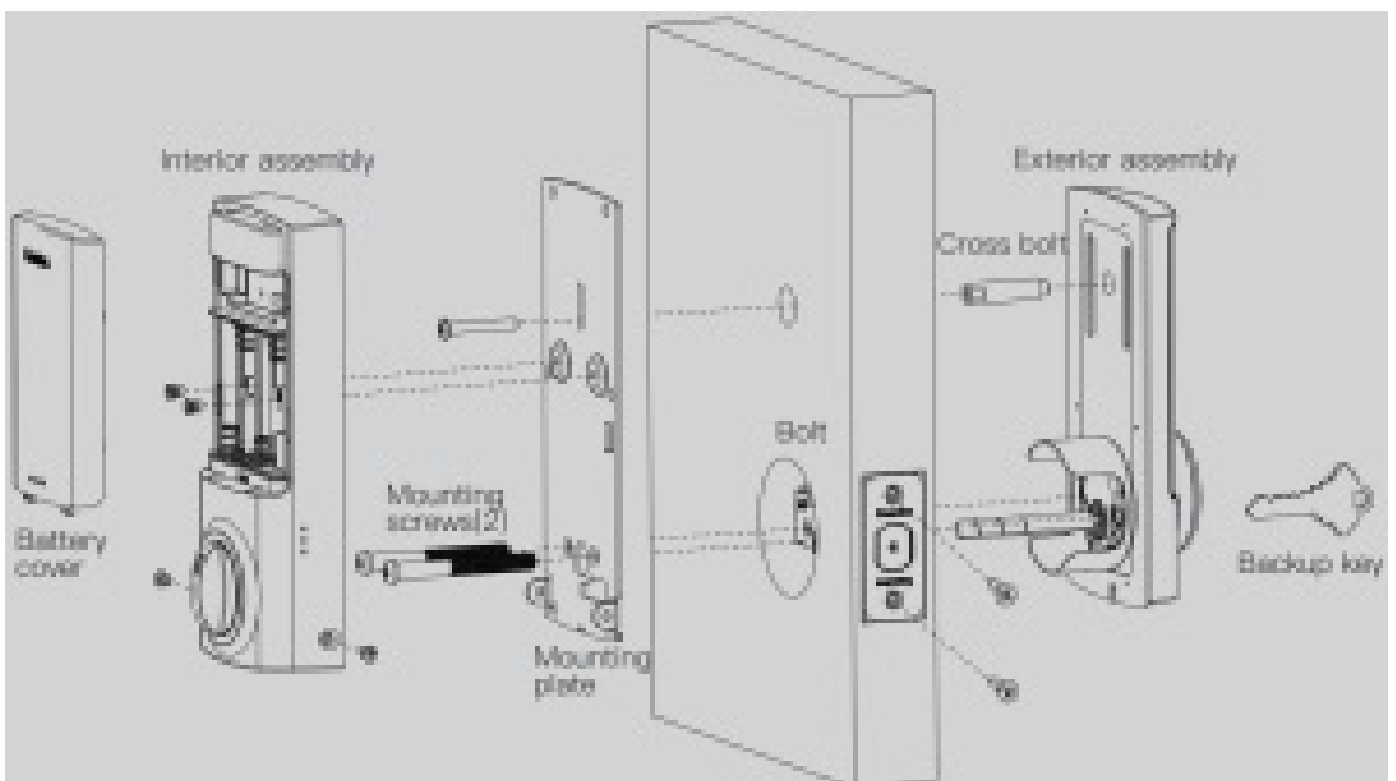
Kaadas RX-C Smart Digital Lock User Manual



Contents [[hide](#)]

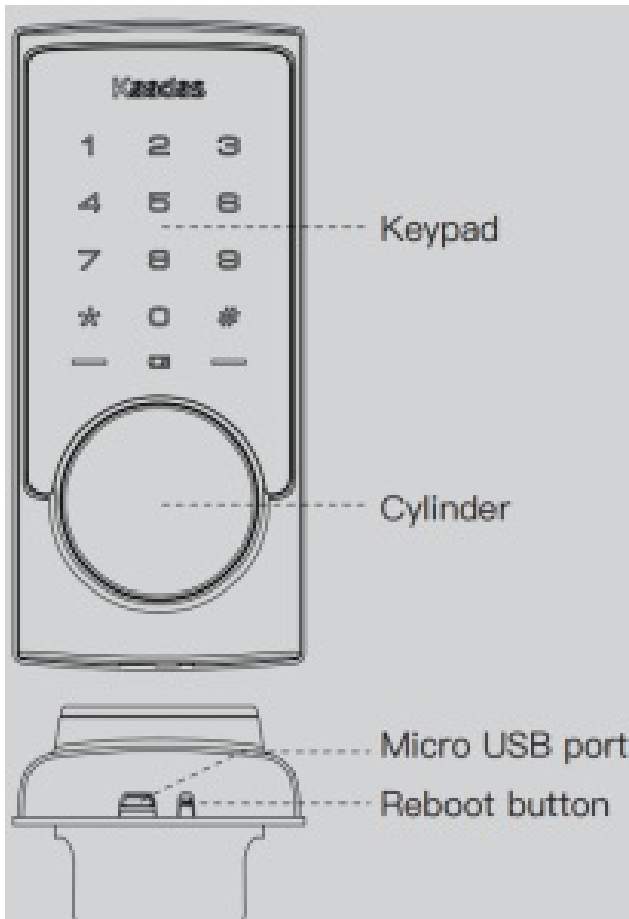
- [1 Installation Instructions](#)
- [2 Specifications](#)
- [3 Preparing for Installation](#)
- [4 Installation](#)
- [5 Documents / Resources](#)
 - [5.1 Related Manuals / Resources](#)

Installation Instructions

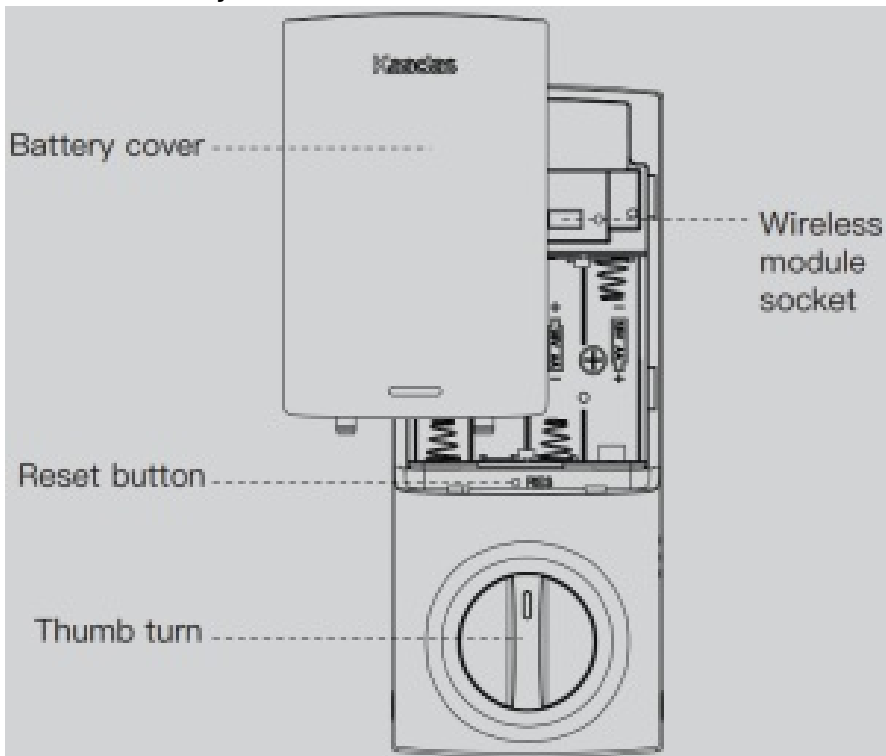


Specifications

- Exterior assembly



- Interior assembly

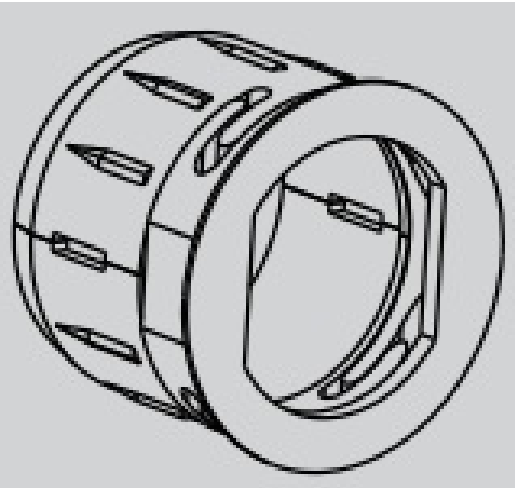


Item	Specifications	Remarks
Exterior assembly	158mm(L)x71mm(W)x29mm(H) 6-7/32"x2-51"/64x1-9/64"	Operation temperature: -4°F to 129° (-20°C to 55°C)
Interior assembly	179mm(L)x72mm(W)x47mm(H) 7-3/64"x2-53"/64x1-27/32"	
Battery	AA alkaline battery x4 (Operation voltage: 4.6~6.0V)	Last up to six month (10 times open/close per day)

Preparing for Installation

Additional Parts

- **Optional Bolt Faceplate**



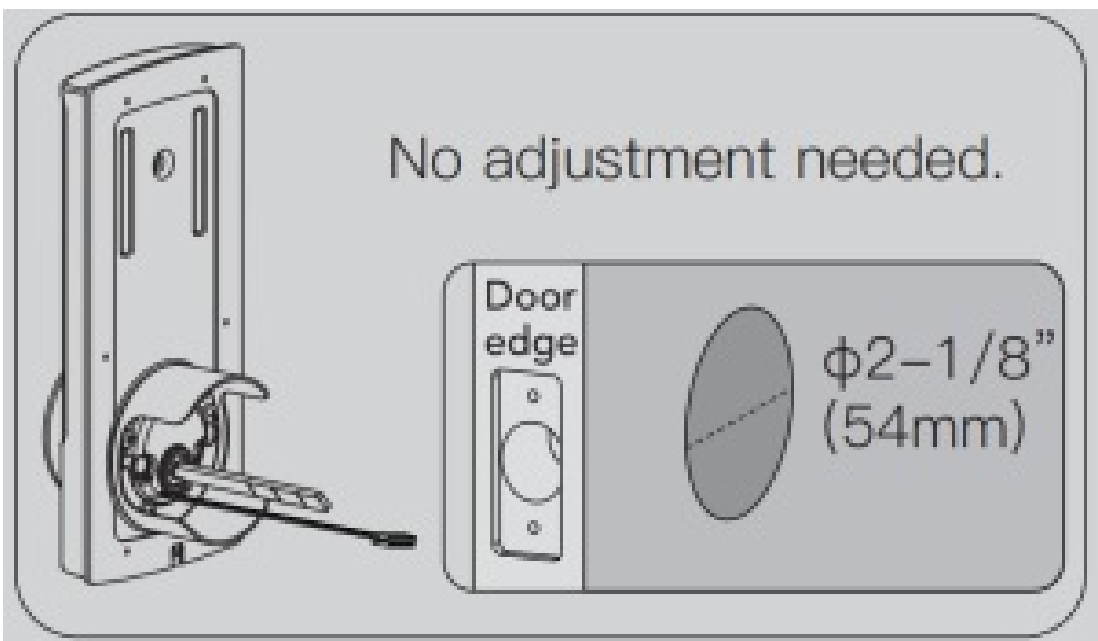
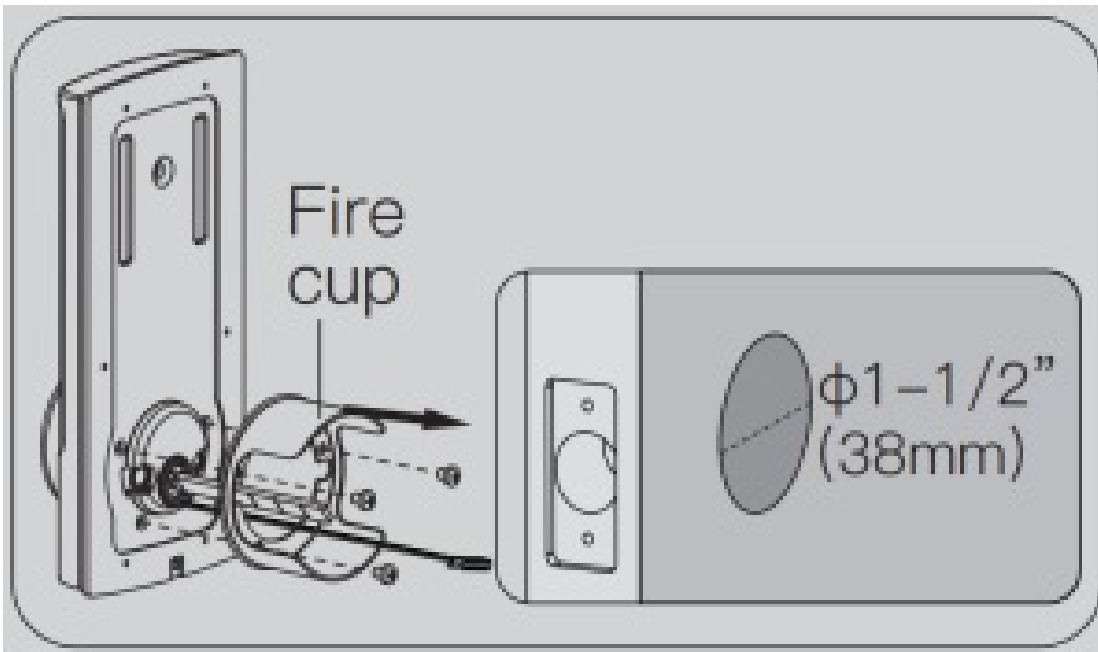
Tools Needed

Door prep

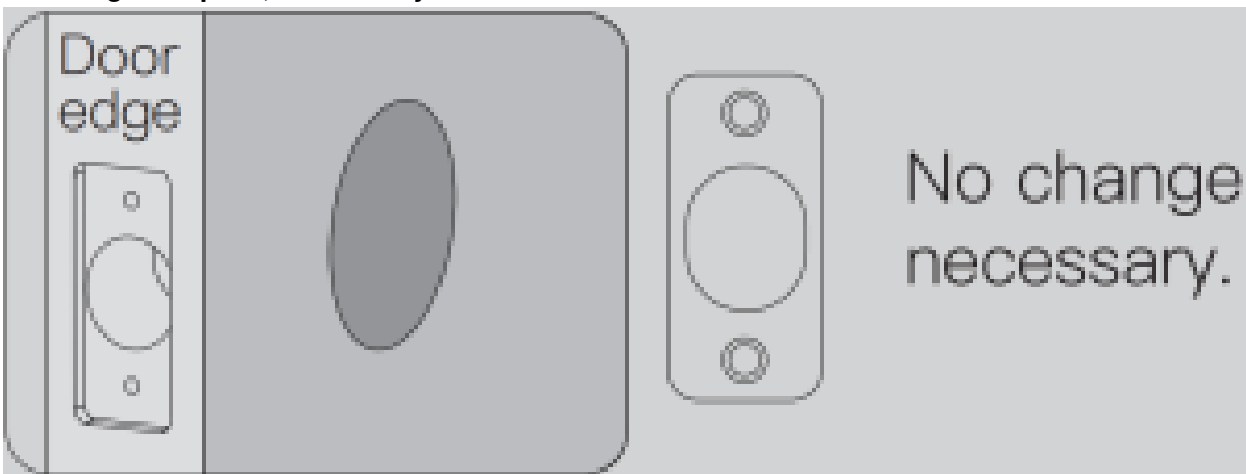
1. 2-1/8" (54mm) hole saw
2. 1" (26mm) boring bit
3. 7/64" (2.5mm) drill bit
4. 3/8" (10mm) drill bit
5. Chisel&Hammer

Lock installation #2 Philips screwdriver

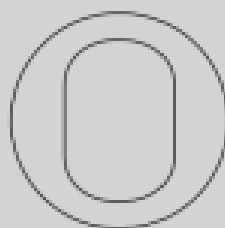
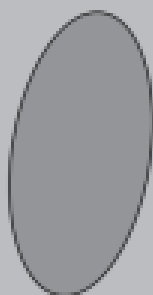
- **Important Notice:** Make sure your door is prepared prior to installation. Only drill a upper hole if you wish the lock to have added stability. Please refer to the provided template for drilling if needed.
- **A. Measure the dimension of the hole shown.If the measurement is 1-1/2"(38mm), remove the fire cup.**



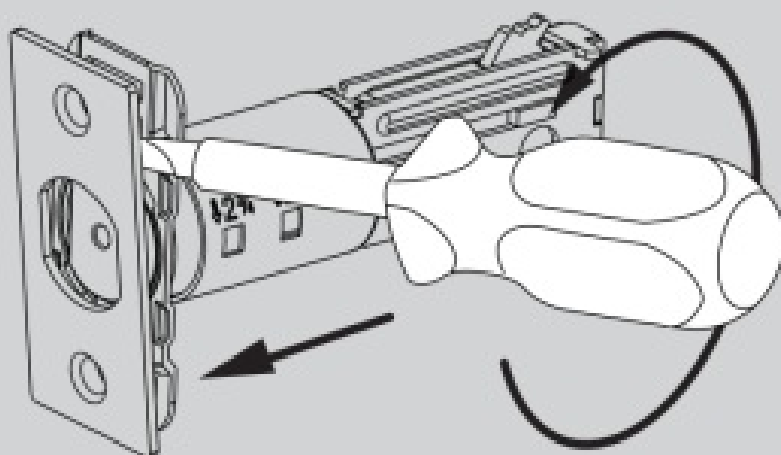
- B. Change faceplate,if necessary.



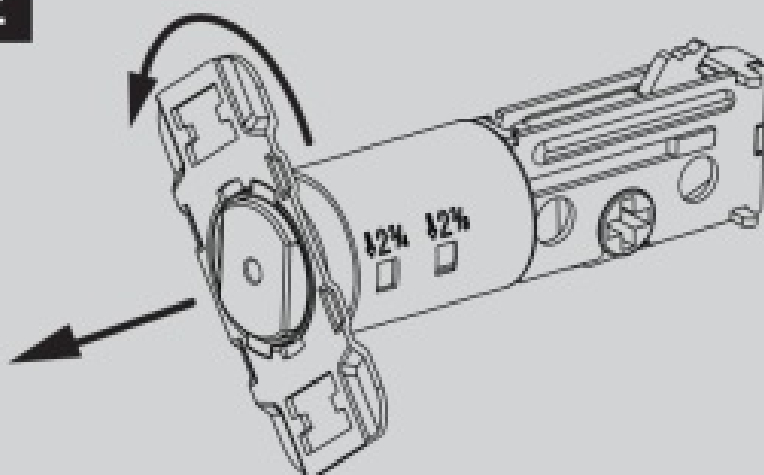
Door
edge

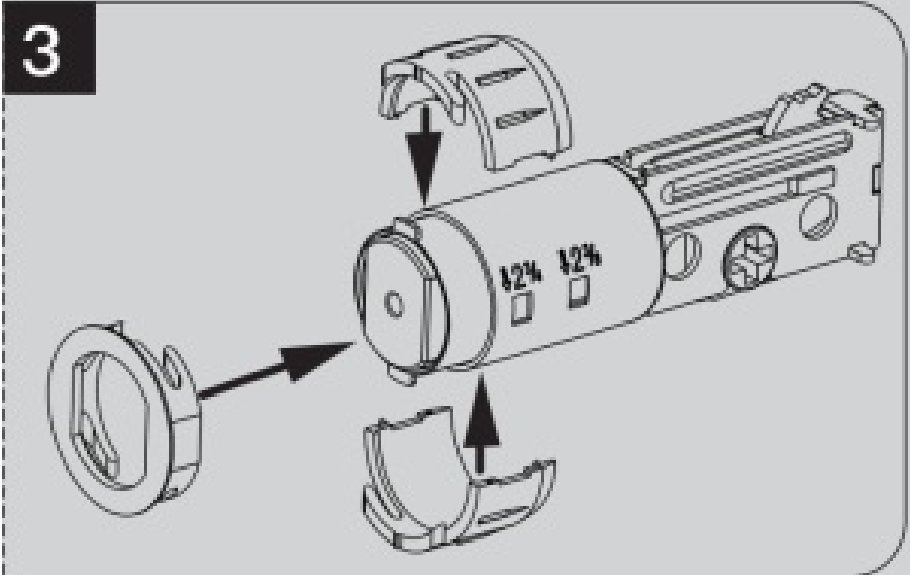


1



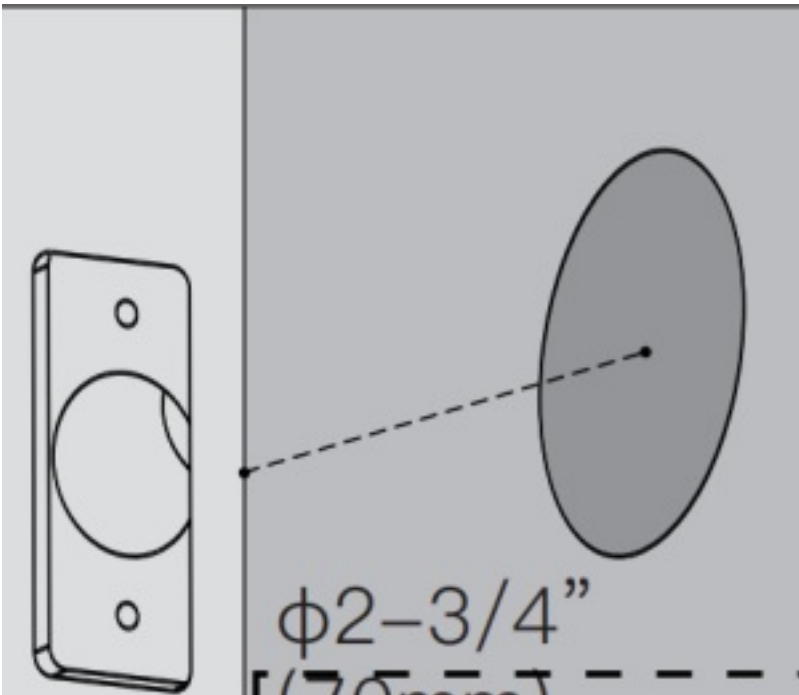
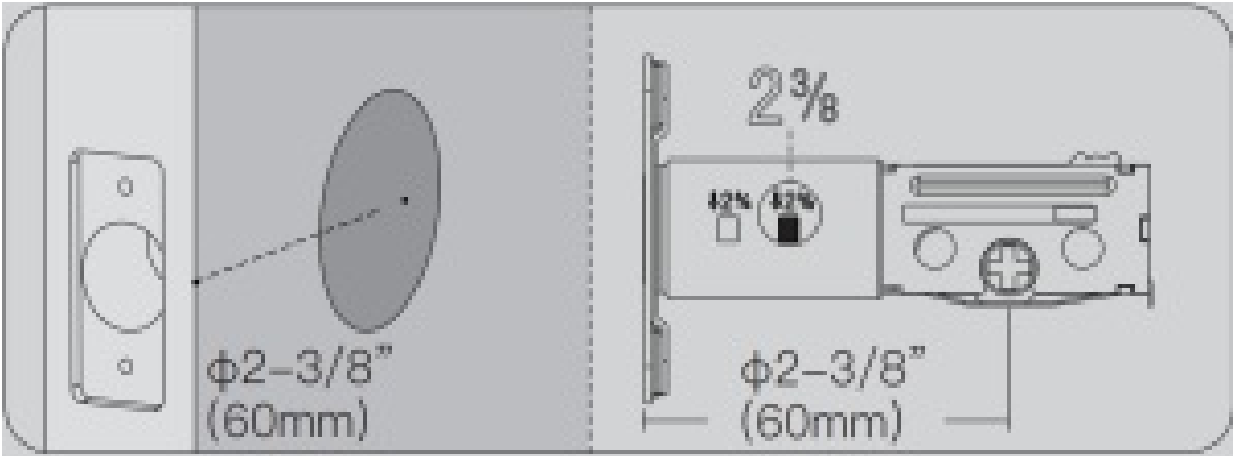
2

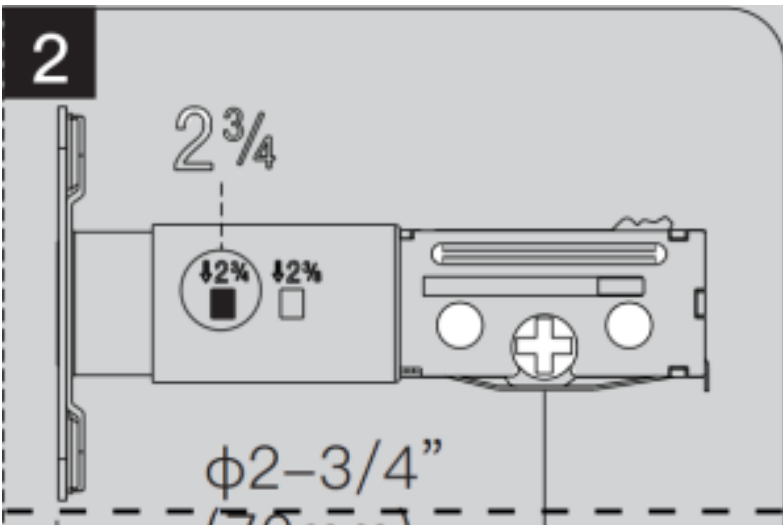
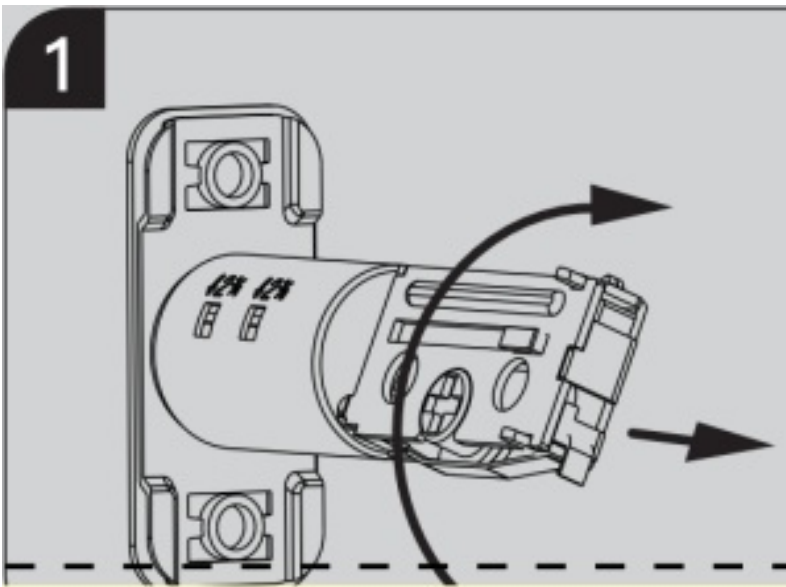




• **C. Adjust the deadbolt.**

NOTE: Bolt ships with backset in 2-3/8" (60mm) position. If required, turn the bolt case and pull to extend to 2-3/4" (70mm) backset position. (see picture below)

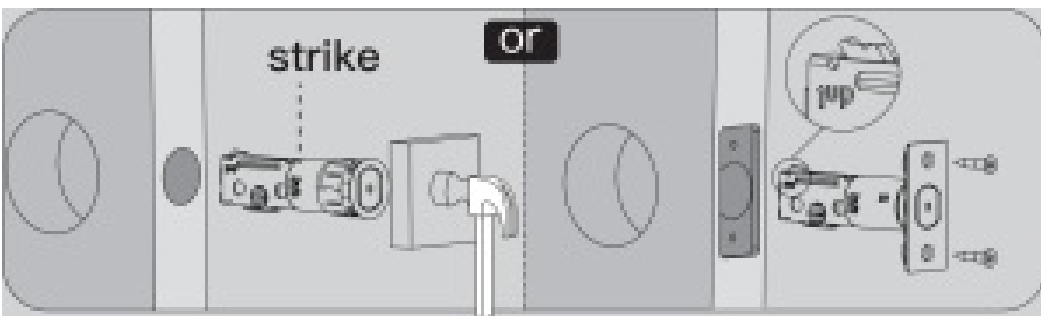




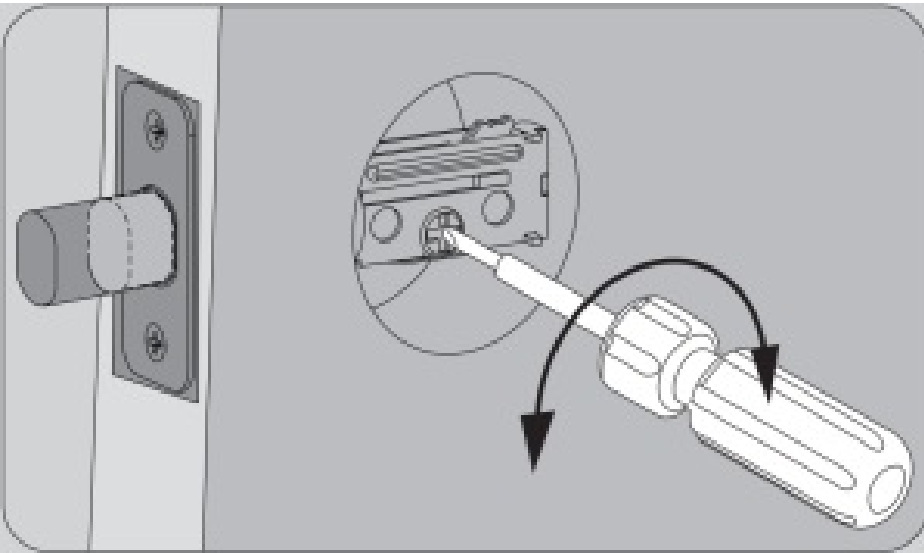
Installation

1. **Install strike on the door frame.**

NOTE: Make sure to allow for the bolt to be centered in the strike.

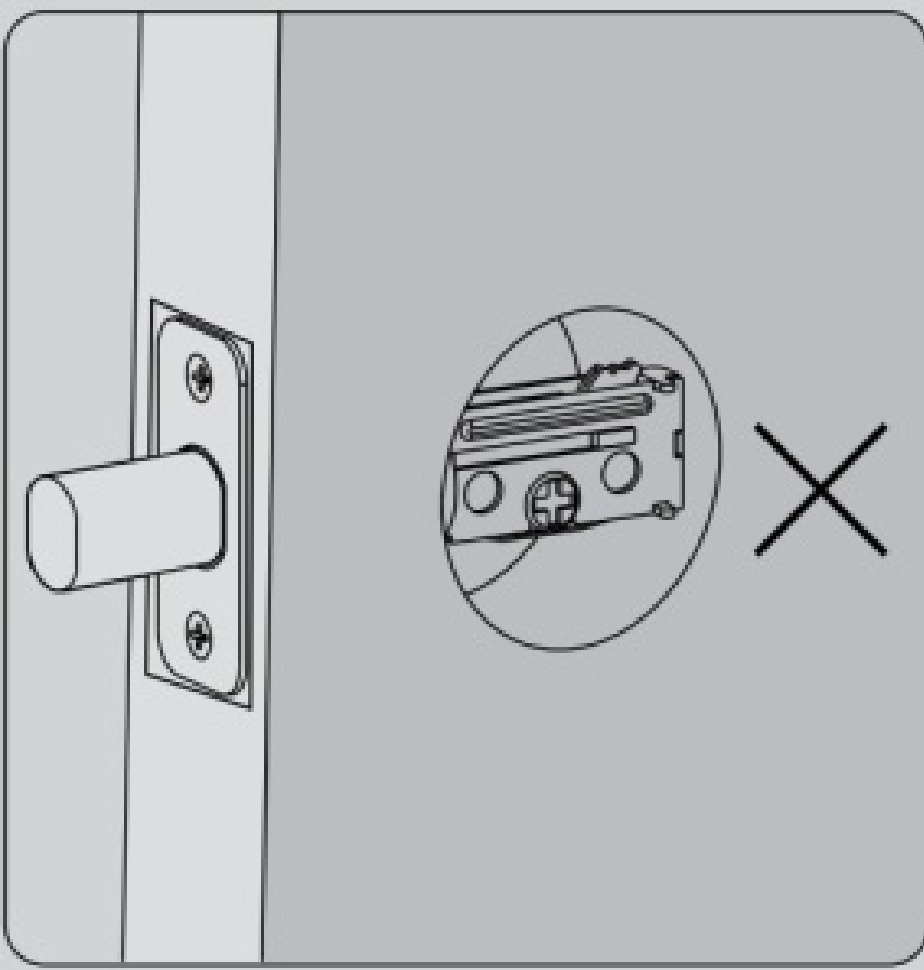


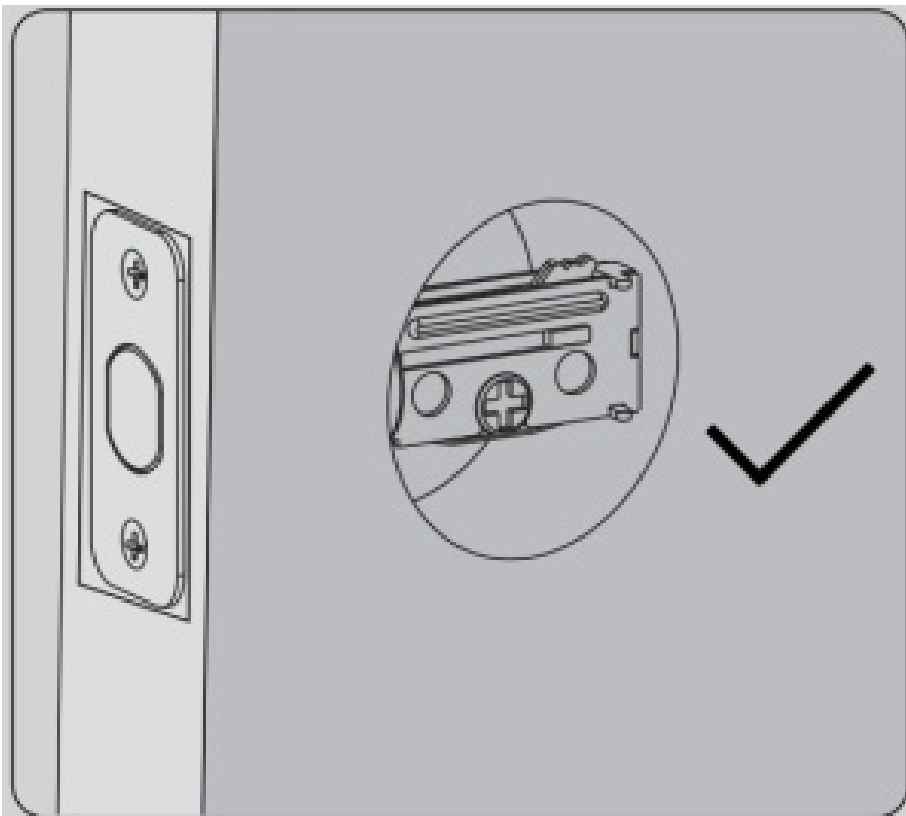
2. **Use a screwdriver to test if deadbolt works smoothly.**



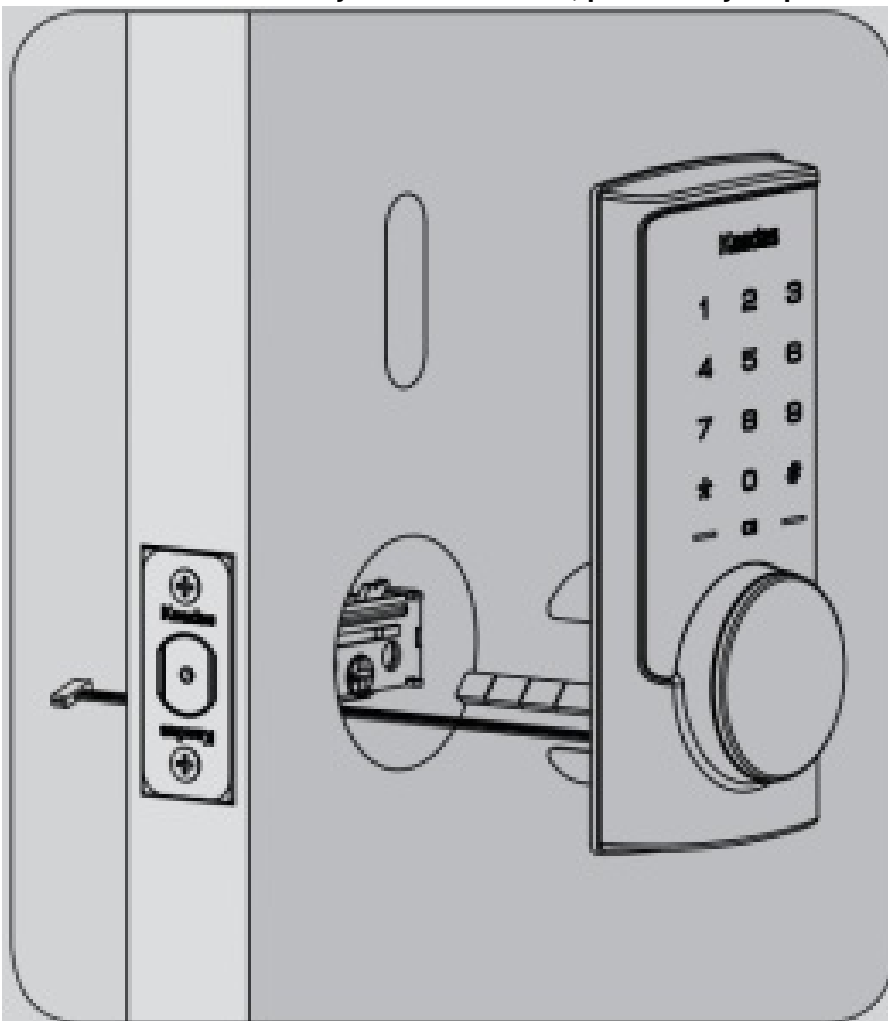
3. **Make sure the bolt is in retracted(unlocked) position.**

NOTE: The bolt must be in retracted (Unlocked) position before installing the lock set.





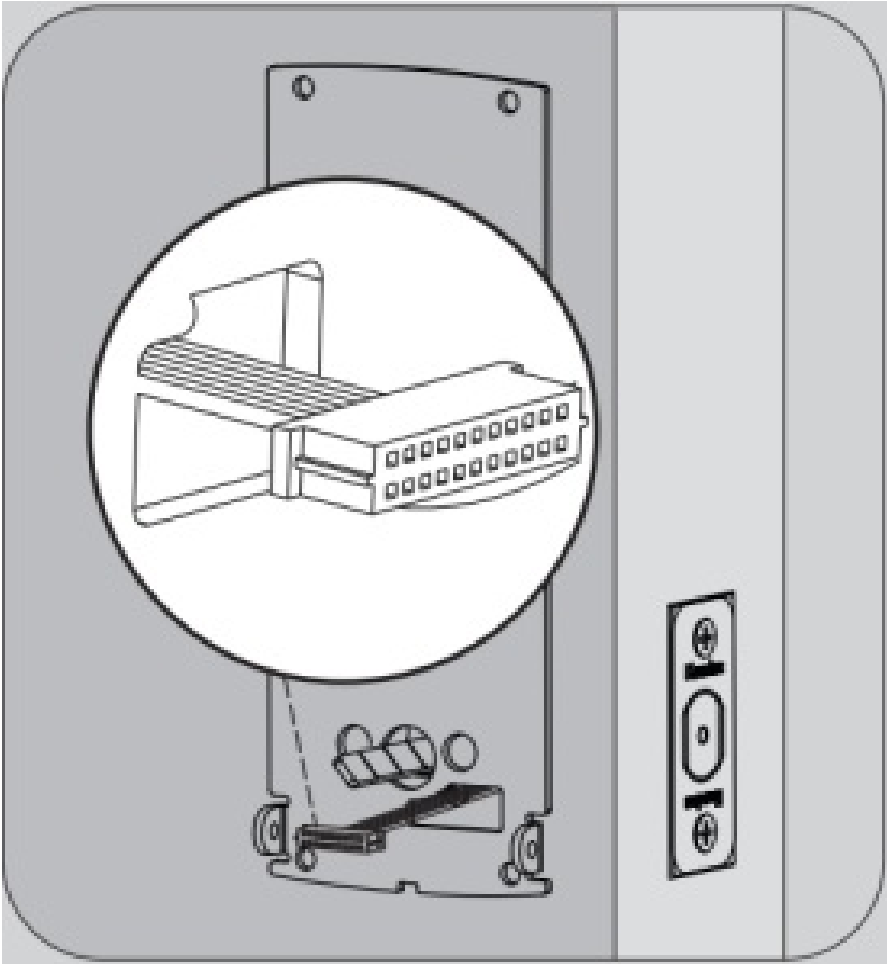
4. Hold the exterior assembly flush to the door, pull the key tailpiece and cable through the door hole.



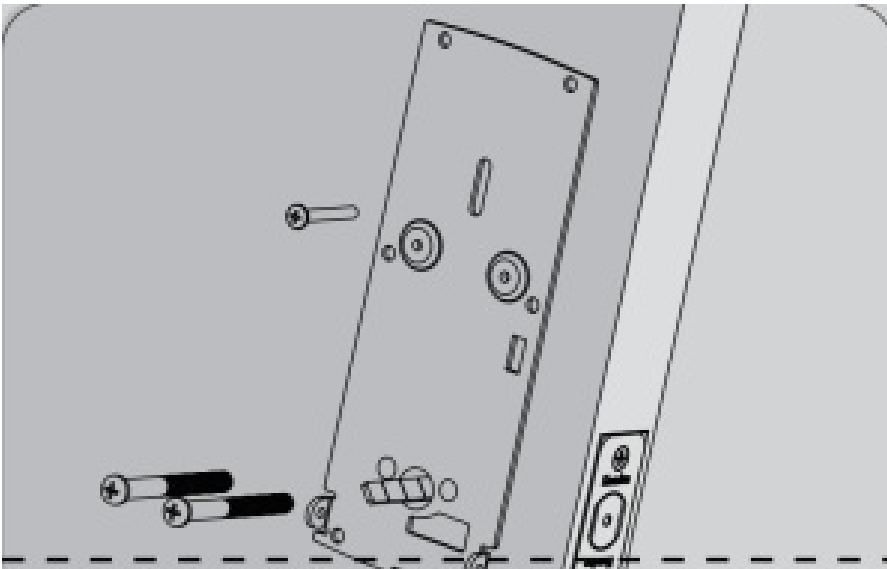
- This hole is for the optional cross bolt provided for stabilizing your lock. If you drilled a hole, securely tighten the post before mounting on you door
- **NOTE:** Cable must go through door hole under the bolt.
- **NOTE:** The tailpiece should be kept in a horizontal position.

5. Position the inside mounting plate by first routing the cable and connector through the mounting

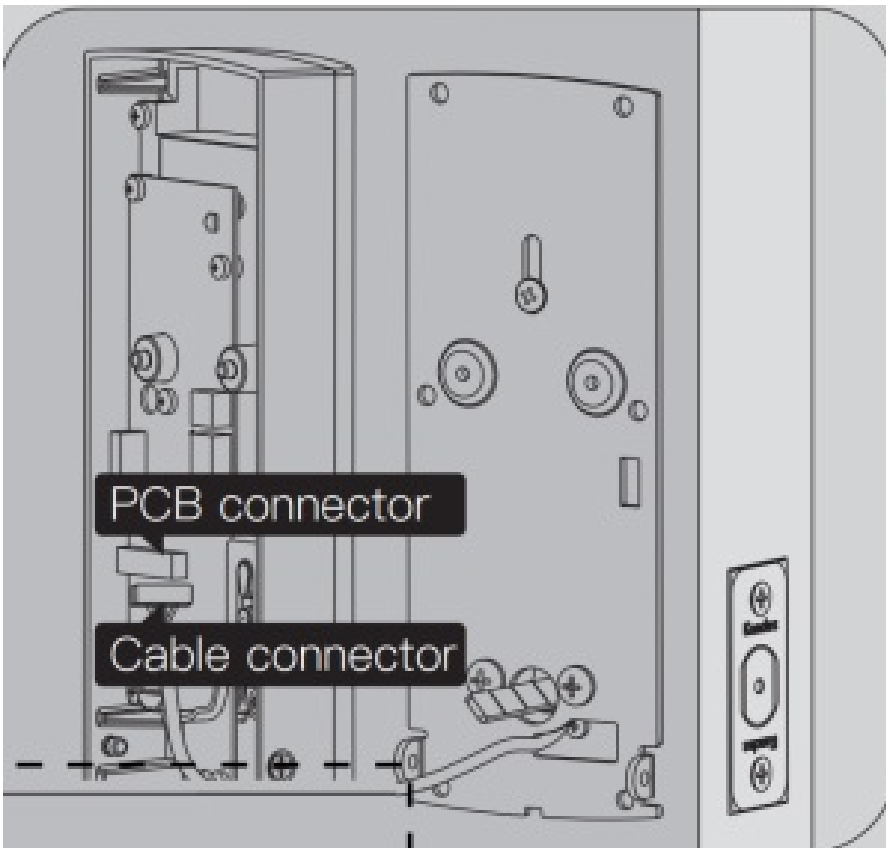
plate's cable hole.



6. Secure both assemblies using 8/32x34 and 1/4x65 screws. Make sure that exterior assembly is vertically aligned. Tighten securely with a #2 Philips screwdriver.



7. Attach cable assembly to the interior assembly PCB by lining up notches on top of cable connector to slots on PCB connector. Press connector in firmly using thumbs until completely connected.



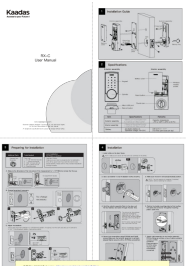
www.kaadasgroup.com

Shenzhen Kaadas Intelligent Technology Co.,Ltd reserves all rights for the final interpretation to this user manual All design and specifications are subject to change without notice.

PdfEditor 4.0.0.14 Testversion- <https://www.pixelplanet.com/de/pdfeditor/>

Kaadas

Documents / Resources



[Kaadas RX-C Smart Digital Lock \[pdf\] User Manual](#)

RXC01, 2AQY4-RXC01, 2AQY4RXC01, RX-C Touchpad Smart Deadbolt, Touchpad Smart Deadbolt, RX-C Smart Digital Lock, Smart Digital Lock

Related Manuals / Resources



[Smart Lock S110BBL User Manual](#)

Smart Lock S110BBL User Manual - Optimized PDF Smart Lock S110BBL User Manual - Original PDF



[Smart Lock Solution User Manual APP](#)

Smart Lock Solution User Manual APP - Optimized PDF Smart Lock Solution User Manual APP - Original PDF

[ULTRALOQ Lever Smart Lock User Guide](#)

Installation Tips The single-hole door is easy to install without the need for additional tools. If the lever...



[Kaadas RX-B Smart Lock User Manual](#)

RX-B/RX-D User Manual www.kaadasgroup.com Shenzhen Kaadas Intelligent Technology Co., Ltd reserves all rights for the final interpretation to...



[Manuals+](#),

- [home](#)
- [privacy](#)