

JunoConnect Bluetooth/ZigBee Installation Instructions

[Home](#) » [Juno](#) » JunoConnect Bluetooth/ZigBee Installation Instructions 

JunoConnect Bluetooth/ZigBee Installation Instructions



INSTALLATION INSTRUCTIONS

JunoConnect™ (Bluetooth® / Zigbee®)

WARNING: For your safety, read and understand instructions completely before starting installation. Before wiring to power supply, turn off electricity at the fuse or circuit breaker box.

NOTE: Juno products are designed to meet the latest NEC requirements and are classified in compliance with applicable UL standards. Before attempting installation of any recessed lighting product, check your local electrical building code. This code sets the wiring standards and installation requirements for your locality and should be understood before starting work.

SAVE THESE INSTRUCTIONS

Product Information

The round and square 4" and 6" JunoConnect™ downlight provides high-quality light output and efficiency while eliminating the need for recessed housings. The innovative, slim design allows for easy retrofit, remodel or new construction installation from below the ceiling. Connects from any Apple or Android phone to the JunoConnect™ directly using Bluetooth® and free download of the SmartThings® App.

The JunoConnect™ downlight consists of the following: LED module, remote driver box and installation instructions. Check for all contents prior to installation.

Optional Items: New Construction Plate, Joist Bar Kit, and Extension Cable (6ft, 10ft, and 20ft) see www.acuitybrands.com for more details.

Do not make or alter any open holes in an enclosure of wiring or electrical components during kit installation.

WARNING – Risk of fire or electric shock.

- Do not alter, relocate, or remove wiring, lamp holders, power supply, or any other electrical component.
- Installation of this retrofit assembly requires a person familiar with the construction and operation of the luminaire's electrical system and the hazard involved. If not qualified, do not attempt installation. Contact qualified electrician.
- Install this kit only in luminaires that have the construction features and dimensions described in these instructions, and where the input rating of the retrofit kit does not exceed the input rating of the luminaire.

WARNING – To prevent wiring damage or abrasion, do not expose wiring to edges of sheet metal or other sharp objects.

THIS RETROFIT KIT IS ACCEPTED AS A COMPONENT OF A LUMINAIRE WHERE THE SUITABILITY OF THE COMBINATION SHALL BE DETERMINED BY CSA OR AUTHORITIES HAVING JURISDICTION.

FCC Supplier's Declaration of Conformity

Juno WF4C RD TUWH MW and WF6C RD TUWH MW. This device complies with part 15 of the FCC Rules. Operation is subject to the following two conditions: (1) This device may not cause harmful interference, and (2) this device must accept any interference received, including interference that may cause undesired operation.

Suppliers Name: Acuity Brands Lighting, Inc.

Suppliers Address (USA): One Lithonia Way | Conyers, GA 30010

Suppliers phone number: 800.323.5068

Caution: The user is cautioned that changes or modifications not expressly approved by the party responsible for compliance could void the user's authority to operate the device.

Note: This device has been tested and found to comply with the limits for a Class B digital device, pursuant to part 15 of the FCC Rules. These limits are designed to provide reasonable protection against harmful interference in a residential installation. This device generates uses and can radiate radio frequency energy and, if not installed and used in accordance with the instructions, may cause harmful interference to radio communications. However, there is no guarantee that interference will not occur in a particular installation. If this device does cause harmful interference to radio or television reception, which can be determined by turning the device off and on, the user is encouraged to try to correct the interference by one or more of the following measures:

- Reorient or relocate the receiving antenna.
- Increase the separation between the equipment and receiver.
- Connect the device into an outlet on a circuit different from that to which the receiver is connected.
- Consult the dealer or an experienced radio/TV technician for help.

This device complies with FCC radiation exposure limits set forth for an uncontrolled environment. This device should be installed and operated with a minimum distance of 20cm between the radiator and any part of your body.

This device contains license-exempt transmitter(s)/receiver(s) that comply with Innovation, Science and Economic Development Canada's licence-exempt RSS(s). Operation is subject to the following two conditions:

1. This device may not cause interference; and
2. This device must accept any interference, including interference that may cause undesired operation of the device.

This device complies with ISED RSS-102 radiation exposure limits set forth for an uncontrolled environment. This device should be installed and operated with a minimum distance of 20cm between the radiator and any part of your body.

RF RADIATION EXPOSURE STATEMENT: This device complies with FCC and ISED RSS-102 radiation exposure limits set forth for an uncontrolled environment. This device should be installed and operated with a minimum distance of 20cm between the device and any part of the user's body.

Only for 5G Devices

The devices for the band 5150-5350 MHz are only for indoor use.

Note: Before beginning the installation

1. Make sure all power is off, shutting power off in breaker box to areas where downlights are to be installed is recommended.
2. Load the Samsung SmartThings ® App to your Android or iOS mobile device.

Required Tools (not included): Safety glasses and gloves.

1. Double check and measure the ceiling hole. Make sure it is the correct size for outside rim of the luminaire to cover the hole while still allowing the back of luminaire to sink in to the ceiling and springs to hold firmly.
 - Remove existing retrofit can if present or move it out of the way since it will not be needed for installation.
 - If new hole is to be cut, use provided hole template. Place template over the desired location. Trace the outer ring with a pen or pencil (not included). Cut the opening with a saw (not included).(Figure 1)

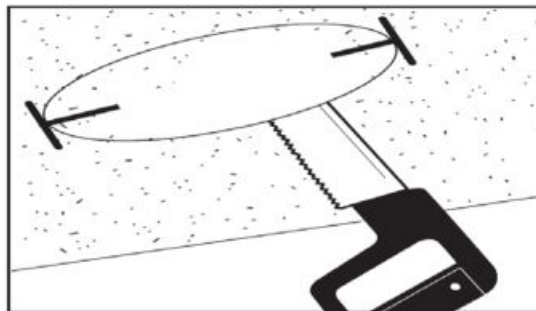


Figure 1

2. Open the cover of the remote driver box. Push and remove one of the knockouts on the side plate.
 - Locate power supply leads from remote driver box and connect to power source using wago connectors (provided).
 - Connect black wire to live wire, white wire to neutral wire, and green wire with ground (as shown) and secure using connector. Close the cover of the box. (Figure 2)

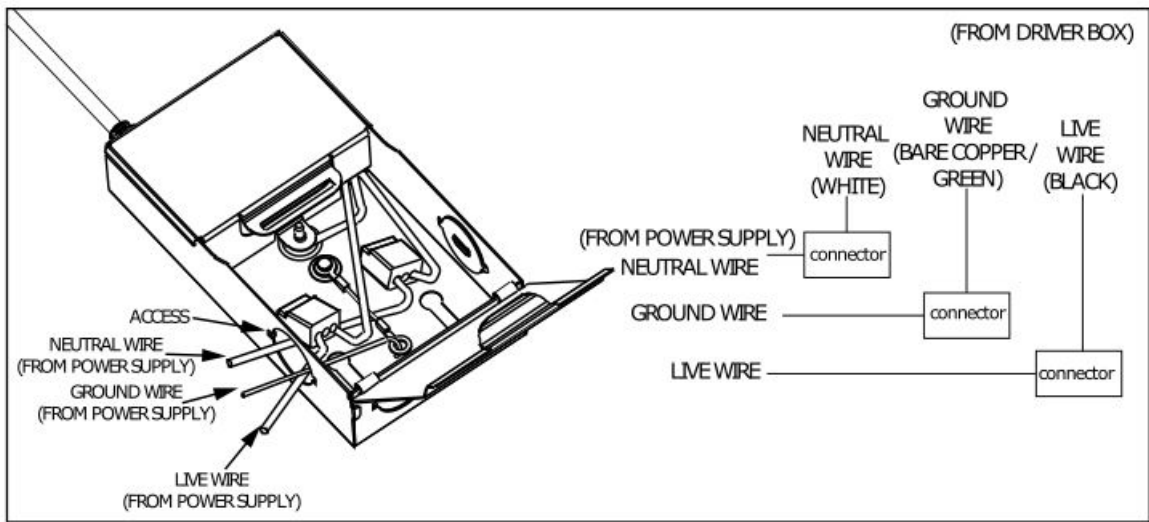


Figure 2

3. Connect the remote driver box to the light fixture and tighten the nut connector by hand. Arrow on the male and female parts of the connector between the driver and fixture cable should match. (Figure 3)

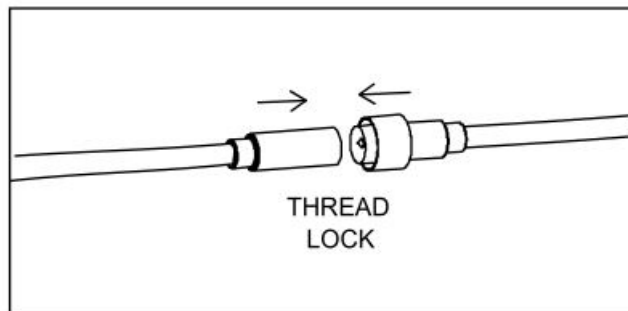


Figure 3

4. Place remote driver box thru the cut-out hole.
 - MUST follow local electric code for rigid attachment and placement of the remote driver box. (Figure 4)

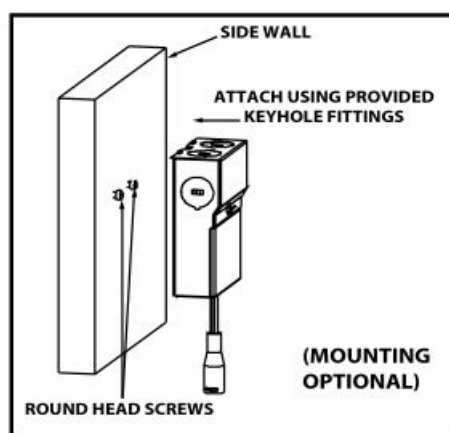


Figure 4

- Optional Mounting Kits: Instruction sheet for new construction plate and joist bar kit can be found at www.acuitybrands.com
5. Pull the spring clip on the fixture up and through the ceiling hole and place module in the hole making sure the spring clips are holding securely. (Figure 5)

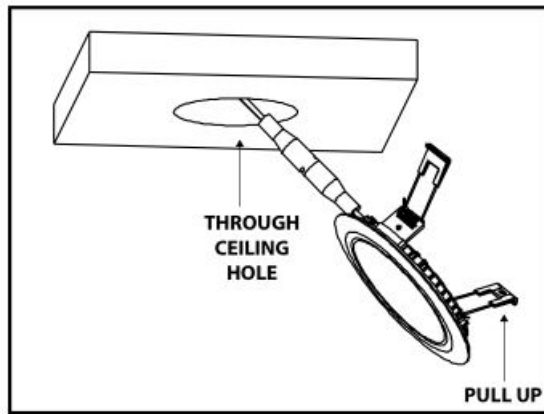


Figure 5

6. Turn the power back on. If the module doesn't illuminate within 5 seconds, turn power off, carefully remove the module and double check all wiring and replace. (Figure 6)

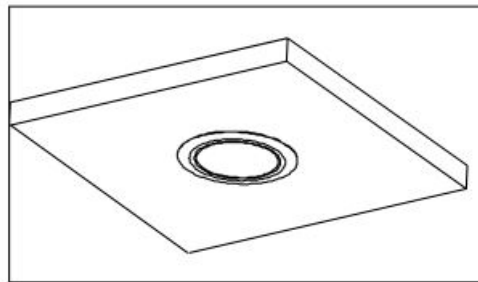


Figure 6

- **WARNING:**

- DO NOT PLACE YOUR HAND UNDERNEATH SPRING CLIP DURING REMOVAL PROCESS. SNAPPING OF THE CLIPS CAN CAUSE INJURIES TO THE HAND. (Figure 7)

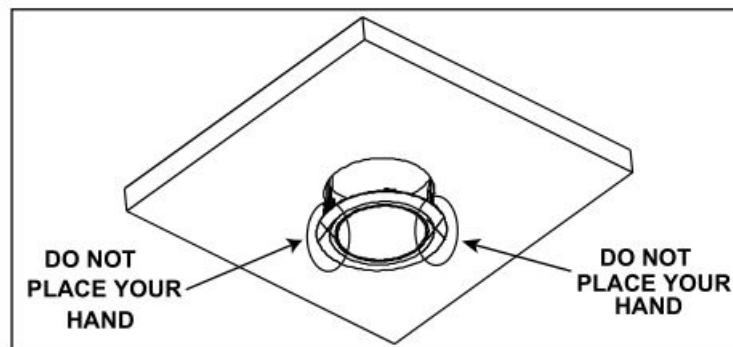


Figure 7

- DO NOT USE ANY OTHER DRIVER EXCEPT THE JUNO DRIVER THAT IS INCLUDED WITH THE FIXTURE.
- DO NOT CONNECT MULTIPLE MODULES TO ONE DRIVER.
- DO NOT OPEN THE MODULE AND SIDE PLATE OF THE REMOTE DRIVER BOX – NO SERVICEABLE PARTS INSIDE.

7. Once the fixture is operational, activate the app on your mobile control device, and follow the instructions listed in the QUICK START GUIDE.

Trouble Shooting Guide

If this fixture fails to operate properly, use the guide below to diagnose and correct the problem.

- Verify that fixture is wired properly.
- Verify that fixture is grounded correctly.
- Verify that the line voltage at the fixture is correct.

If further assistance is required for installation issues, contact: Technical Support at: (800) 705-SERV (7378).

For setup support using the Samsung SmartThings® App. contact technical support at: (800) 726-7864

This LED module does not require service or new bulbs to change.



One Lithonia Way, Conyers, GA 30012

• Phone: (800) 705-SERV (7378)

• Visit us at www.acuitybrands.com

©2020 Acuity Brands Lighting, Inc Rev 09/20

JunoConnect Bluetooth/ZigBee Installation Instructions – [Optimized PDF](#)

JunoConnect Bluetooth/ZigBee Installation Instructions – [Original PDF](#)

[Manuals+](#)