



J-TECH DIGITAL JTD-MINI-1X2SP 4K HDMI Splitter 1 in 2 out 1X2 Powered Splitter for Dual Monitors User Manual

[Home](#) » [J-TECH DIGITAL](#) » J-TECH DIGITAL JTD-MINI-1X2SP 4K HDMI Splitter 1 in 2 out 1X2 Powered Splitter for Dual Monitors User Manual 

J-TECH DIGITAL JTD-MINI-1X2SP 4K HDMI Splitter 1 in 2 out 1X2 Powered Splitter for Dual Monitors User Manual



Scan the QR code below or visit <https://resource.jtechdigital.com/products/164> to view and access detailed digital resources regarding this unit.



Contents

- 1 **Safety Instructions:**
- 2 **Introduction**
- 3 **Specifications**
- 4 **Package Contents**
- 5 **Connection**
- 6 **FAQ & Troubleshooting**
- 7 **Maintenance**
- 8 **Warranty**
- 9 **Mail-In Service**
- 10 **Limited Warranty Limits and Exclusions**
- 11 **Documents / Resources**
 - 11.1 **References**
- 12 **Related Posts**

Safety Instructions:

- Before using this product, please carefully read the following safety instructions to ensure its proper use and keep this manual for future reference:
- To prevent electric shock, do not attempt to open the product.
- Only qualified personnel should perform any repairs or maintenance.
- Always place the product on a stable, flat surface to prevent it from falling.
- Do not expose the product to water, moisture, or high-humidity environments to avoid the risk of damage.
- To prevent damage from direct sunlight or high temperatures, do not expose the product to such environments.
- Do not place the product near heat sources like radiators, heat registers, stove, or other heat-producing apparatus.
- Do not place any objects on top of the product to avoid damage.
- Use only the attachments and accessories specified by the manufacturer.
- During lightning storms or prolonged periods of disuse, unplug the power supply to prevent damage

Introduction

The J-Tech Digital JTD-MINI-1x2SP HDMI splitter distributes 1 HDMI input source signal to 2 HDMI displays simultaneously. The splitter also supports HDMI video resolutions up to 4K 60Hz 4:2:0. You can use the HDMI distribution splitter in a number of applications and industries including residential use, data control centers, and conference room solutions.

Specifications

HDCP Compliance: HDCP 1.4

Supported Resolutions: 480p | 576i | 720p | 1080i | 1080p | 4K 30Hz | 4K 60Hz 4:2:0

HDMI Version: HDMI 1.3

Input Port: (1) HDMI 1.3 Female

Output Port: (2) HDMI 1.3 Female

Power Supply: 5V DC

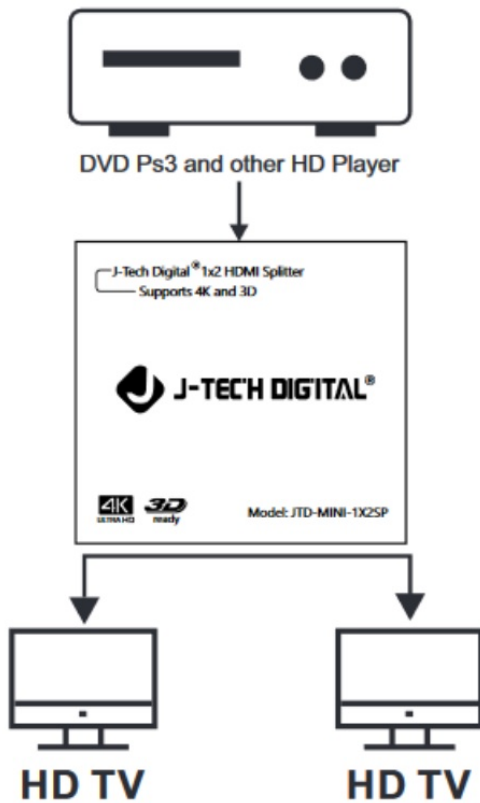
Package Contents

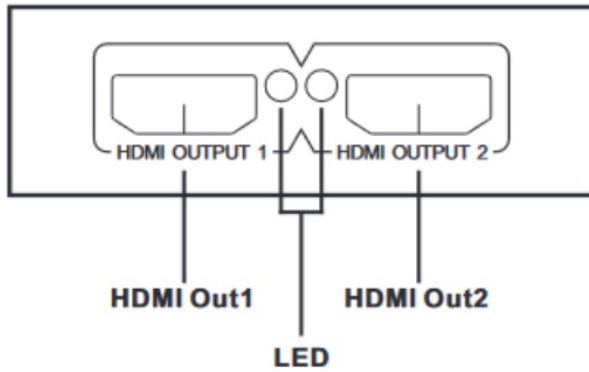
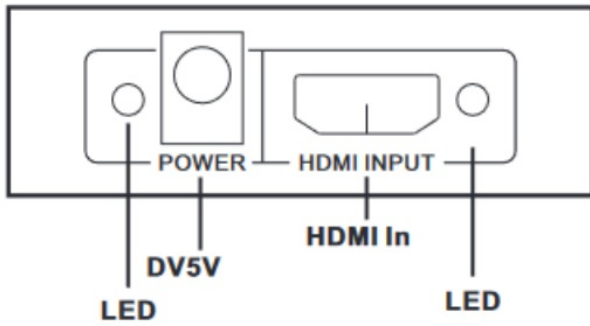
- (1) x J-Tech Digital Splitter
- (1) x USB Power Cable
- (1) x User Manual

Connection

1. Connect your HDMI source device to the HDMI input port via HDMI cable
2. Connect your HDMI displays to HDMI Output 1 and Output 2 ports via HDMI cable
3. Connect the included power cable to the power port

***Note:** When the input source and output displays are connected and powered on, the corresponding status LED's will illuminate.





FAQ & Troubleshooting

Scenario – The power status LED does not illuminate or no signal is passed.

1. Ensure that you're using the included power cable.
2. Ensure that the power cable is plugged in to a working USB port or a functional wall adapter.
3. Ensure that the power cable's barrel is seated correctly and firmly in the splitter's power port.

Scenario – The HDMI input/output status LED's are not illuminated.

1. Ensure that you're using a functioning HDMI cable.
2. Ensure that the HDMI cables are seated correctly and firmly in all HDMI ports.
3. Ensure that the HDMI cables being used do not exceed the recommended cable length. We do not recommend using passive HDMI cables longer than 25ft.

***Note:** Your experience may vary with the use of active or fiber HDMI cables. Scenario – All status LED's are illuminated but the source signal does not reach one or both displays.

1. Ensure that the HDMI cables being used do not exceed the recommended cable length.
2. Check the output resolution and refresh rate of your source device connected to the HDMI port.

Users will need to ensure that the HDMI displays connected to the HDMI output ports of the splitter can support resolution and refresh rate of the incoming source signal.

Maintenance

Clean this unit with a soft, dry cloth. Never use alcohol, paint thinner, or benzine to clean.

Warranty

If your product does not work properly because of a defect in materials or workmanship, our company (referred to as “the warrantor”) will, for the length of the period indicated as below, “Parts and Labor (1) Year”, which starts with the date of original purchase (“Limited Warranty period”), at its option either (a) repair your product with new or refurbished parts, or (b) replace it with a new or a refurbished product. The decision to repair or replace will be made by the warrantor. During the “Labor” limited warranty period, there will be no charge for labor. During the “Parts” warranty period, there will be no charge for parts. You must mail-in your product during the warranty period. This Limited Warranty is extended only to the original purchaser and only covers products purchased as new. A purchase receipt or other proof of original purchase date is required for Limited Warranty service

Mail-In Service

When shipping the unit, carefully pack and send it prepaid, adequately insured, and preferably in the original carton. Include a letter detailing the complaint and provide a day time phone and/or email address where you can be reached.

Limited Warranty Limits and Exclusions

This Limited Warranty ONLY COVERS failures due to defects in material or workmanship, and DOES NOT COVER normal wear and tear or cosmetic damage. The Limited Warranty ALSO DOES NOT COVER damages which occurred in shipment, or failures which are caused by products not supplied by warrantor, or failures which result from accidents, misuse, abuse, neglect, mishandling, misapplication, alteration, faulty installation, set-up adjustments, mis- adjustment of consumer controls, improper maintenance, power line surge, lightning damage, modification, or service by anyone other than a Factory Service center or other Authorized Servicer, or damage that is attributed to acts of God. There are no express warranties except as listed under “Limited Warranty Coverage”. The warrantor is not liable for incidental or consequential damages resulting from the use of this product or arising out of any breach of this warranty. (As examples, this excludes damages for lost time, cost of having someone remove or re-install an installed unit if applicable, travel to and from the service, loss of or damage to media or images, data or other recorded content. The items listed are not exclusive but are for illustration only). Parts and service, which are not covered by this limited warranty, are your responsibility.

WWW.JTECHDIGITAL.COM

PUBLISHED BY J-TECH DIGITAL INC.

9807 EMILY LANE STAFFORD, TX 77477

TEL: 1-888-610-2818

E-MAIL: SUPPORT@JTECHDIGITAL.COM





[J-TECH DIGITAL JTD-MINI-1X2SP 4K HDMI Splitter 1 in 2 out 1X2 Powered Splitter for Dual Monitors](#) [pdf] User Manual

JTD-MINI-1X2SP 4K HDMI Splitter 1 in 2 out 1X2 Powered Splitter for Dual Monitors, JTD-MINI-1X2SP, 4K HDMI Splitter 1 in 2 out 1X2 Powered Splitter for Dual Monitors, 1X2 Powered Splitter for Dual Monitors, Splitter for Dual Monitors

References

- [B J-Tech Digital ® Official Site | Professional AV Solution Provider](#)
- [J-Tech Digital HDMI Splitter 1x2 4K@60Hz](#)
- [User Manual](#)

[Manuals+](#)