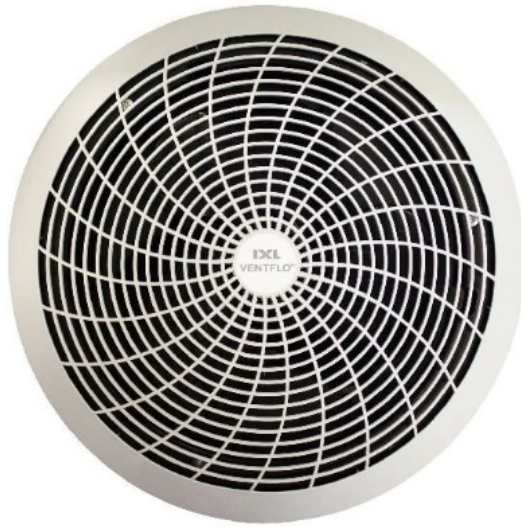


[Skip to content](#)

**Manuals+**

User Manuals Simplified.



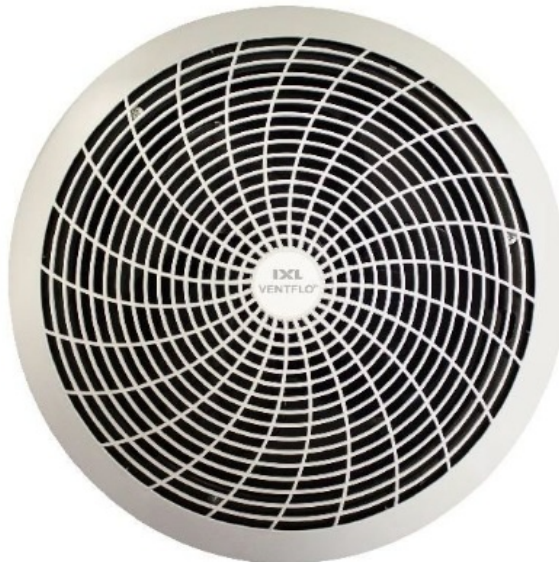
## IXL 10330 Ventflo Ceiling Fan 200 Instruction Manual

November 22, 2022 November 22, 2022 [Leave a comment on IXL 10330 Ventflo Ceiling Fan 200 Instruction Manual](#)

[Home](#) » [IXL](#) » IXL 10330 Ventflo Ceiling Fan 200 Instruction Manual 

Document

IXL 10330 Ventflo Ceiling Fan 200 Instruction Manual



Contents [hide](#)

[1 Installation Instructions](#)

[1.1 Safety](#)

[2 INSTALLATION](#)

[3 WARRANTY](#)

[4 Privacy](#)

[5 Customers Support](#)

[6 Documents / Resources](#)

[7 Related Posts](#)

## Installation Instructions

### Safety

Do not allow insulation material to rest against the sides or top of the Ventilation unit when installed

Read through these instructions fully before commencing installation.

Locate the IXL Ventflo in accordance with the requirements of the current Australian/New Zealand Wiring Rules AS/NZS 3000 relating to damp situations, or according to applicable Wiring Rules for installations outside of Australia and New Zealand.

In some installations this may mean that no part of the appliance may be located directly above any part of a bath or shower recess or enclosure.

For unenclosed showers refer to Wiring Rules conditions.

This unit is fitted with a cord and plug, however, any interconnecting wiring and switches used or use of another cord and plug must be fitted by a licensed electrician.

Switches and other controls must not be located where they can be touched by a person in the bath or shower.

### Warning

- Do not use this appliance for functions other than those described in this user guide.
- After removing the appliance from its packaging, ensure that it is complete and undamaged.  
If in doubt contact a qualified electrician or IXL Home. Do not leave packaging within the reach of children or infirm persons.
- This appliance is not intended for use by persons (including children) with reduced physical, sensory or mental capabilities, or lack of experience and knowledge, unless they have been given supervision or instruction concerning the use of the appliance by a person responsible for their safety.
- Young children should be supervised to ensure they do not play with the appliance.
- Do not operate the appliance in the presence of inflammable vapors (alcohol, insecticides, petrol, etc.)
- Do not sit or place objects on or in the appliance.
- The supply cord cannot be replaced. If the cord is damaged the appliance should be scrapped.
- Do not operate this appliance without the plastic surround in position.
- This appliance must be mounted with the lowest point at least 2.1 meters from the floor.

### Caution

- Do not expose this appliance to the weather (rain, sun, etc.)
- Do not immerse the appliance or any parts of it in water or other liquids. Refer to the relevant instructions to clean the appliance.
- If the appliance does not function correctly or develops a fault, contact IXL Home immediately.
- Should the appliance be dropped or suffer a heavy blow, have it checked by an author is eService agent for IXL products.
- The electrical system to which the appliance is connected must conform to applicable standards.
- The electrical power supply/socket to which the appliance is to be connected must be able to provide the maximum electrical power required by the appliance. If it can't do this, contact a qualified electrician to make the necessary modifications.
- Switch off the appliance at the installation's main switch: a) if the appliance does not function correctly; b) before cleaning the outside of the appliance; c) if the appliance is not going to be used for any length of time.
- The room must have an adequate source of replacement air for this appliance to function effectively. Moreover, if there is any non-sealed combustion based appliance such as a water/gas heater, gas stove, etc. in the same room, air replacement must be sufficient for all appliances to work effectively together.
- Keep the appliance's inlet grille free from dust to ensure optimum air flow

## INSTALLATION

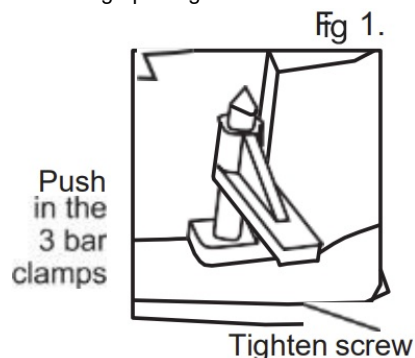
### CAUTION:

ANY ELECTRICAL WIRING MUST BE CARRIED OUT BY A LICENSED ELECTRICIAN.

DO NOT INSTALL IN AN AREA WHERE WATER MAY BE SPLASHED ON THE APPLIANCE.

1. Check for hidden timbers and wiring above the installation area.
2. Using the template as described, mark the mounting hole on the ceiling. In order for the warranty to be honored the fan must be installed:
  - At least 2.1m above the ground.
  - At least 90cm from any hotplate and have at least 30cm clearance above the fan blades.
  - At least 20cm distance from side walls.
  - Ensure the power cord does not interfere with the fan blades.
  - Ensure any ceiling insulation or frame does not obstruct the airflow.
  - Clean the grille and blades regularly.
3. Cut the hole using a jigsaw, keyhole saw or hacksaw along the marked line.
4. Remove the grille (simply pulls free from the frame) and connect the plug to the power outlet. Insert the fan assembly into the opening. For ceilings 13mm or less use step a. For thicker ceilings use step b.
  - Before inserting the fan into the opening, push the three bar clamps all the way out to hold the fan in the ceiling. Push the fan into

the ceiling opening and secure the exhaust fan by tightening the screws securely (See Fig 1).



- Remove the three bar clamps. Use wood screws (not supplied) to secure the fan to the ceiling. Locate screws in the 3 holes in the outer lip of the fan frame.
5. Place the grille over the fan assembly and push up until it snaps into place.
  6. Precautions must be taken to avoid the back-flow of gases into the room from an open flue of gas or other open-fire appliances.
  7. Joists, beams & rafters shall not be cut or notched to install appliance.
  8. This product is designed for installation in flat ceiling only. Do not mount it on a sloping ceiling or vertical wall.
  9. This product is not recommended for installation between floors of multi-story dwellings, or where space within a roof cavity is severely restricted. IXL Home has other ventilation products available that are particularly suited to installations between floors or where space is restricted. Contact IXL for further details.

### Care Instructions

Dirty fan blades and clogged grille drastically decrease the fan's performance, working life and void the warranty. Regular cleaning will ensure many years of trouble free operation. Switch the appliance off before removing the grille.

### GRILLE

Remove and wash in warm soapy water then rinse. A soft brush and sugar soap is recommended to remove stubborn grease. Dry thoroughly before refitting.

### FAN BLADE

Do not remove fan blade.

Wipe blade with a cloth moistened with the above solution.

### CAUTION:

NEVER IMMERSE THE MOTOR IN CLEANING SOLUTION OR ANY OTHER LIQUID.

### TEMPLATE

Check that no hidden timbers or wiring are in the area immediately above the hole. This template will mark out a 240mm diameter hole for the 200mm fan.

### Important Note

The supply cord cannot be replaced. If the cord is damaged the appliance should be rejected.

### MAIN TECHNICAL PARAMETERS

Input	Power	Noise	Max Airflow	Hole-cutting Size	Model No
220-240V					
50-60Hz	20W	28dB	373m <sup>3</sup> /H	B 240mm	10330

**NOTE:** Shut off power urgently when any abnormalities occur in operation. Then call a licensed electrician or IXL service person for inspection and necessary service work. Do not insert fingers or thin bars into the grille / guard when the unit is operating. This could cause harm to yourself and the appliance. The unit must not be installed in a place that suffers from severe water leakage.

### READ AND SAVE THESE INSTRUCTIONS

This is a cut-out template card with size 6240mm for the 200mm exhaust fan

### WARRANTY

#### Two Year Replacement Warranty

This Warranty against defects for your newly purchased IXL product is proudly prepared by IXL Home Pty Ltd of 1K Marine Parade, Abbotsford, VIC 3067, phone 1300 727 421.

1. IXL Home Ventilation products come with guarantees that do not exclude the following consumer entitlements under the Australian Consumer Law:
  - Replacement or refund for a major failure and compensation for any other reasonably foreseeable loss or damage; and
  - To have the goods replaced if goods fail to be of acceptable quality and the failure does not amount to a major failure.
2. IXL Home warrants that your product and related supply will be free from defects in materials and workmanship during the warranty term.  
Your warranty term is two years commencing from the date of purchase.
3. Subject to Point 1, IXL Home will during the warranty term provide a replacement of an equivalent current model where the balance of the warranty period from the original date of purchase will take effect.
4. To the fullest extent permitted by law and subject always to Point 1, IXL Home will not be liable for:
  - Any loss or damage arising from loss of use, loss of profits or revenue; or
  - For any indirect or consequential loss or damage resulting from any breach of this warranty against defects.
5. Defective IXL Home products may be replaced by a refurbished product of the same type.  
Limitations to Your IXL Warranty
6. Subject to Point 1, this Warranty:
  - Will only be provided to the original purchaser where the original purchase was made from a IXL Home Authorized Dealer or Reseller and proof of such purchase can be presented at the time of service;
  - Only applies to IXL Home products purchased in Australia from a IXL Home Authorised Dealer or Reseller;
  - Will not apply where the defect in or failure of the product is attributable to misuse, abuse, accident or non-observation of the manufacturer's instructions. This product must be used in accordance with the manufacturer's instructions;
  - Will not cover faults due to normal wear and tear with reasonable use nor consumable components such as globes, filters, glass items, etc;
  - Will not cover any damages or problems caused to this product by natural forces eg. storm, fire, flood, and earthquake; or by intrusion or accumulation (or both) of foreign matters eg. dust, soil, and moisture. IXL Home recommends that you take out appropriate insurances to protect your product to this end;
  - Will not apply if this product is installed in a mobile dwelling eg. caravan or boat;
  - Will not apply if this product is removed from the location where it was first installed;
  - Covers use of this product for domestic use only;
  - Will not be restarted or extended upon replacement of the product or a part.**How to make a Claim under Your IXL Warranty**
7. To make a claim under this Warranty you will need to:
  - Contact IXL Home service department on 1300 727 421 or [service@ixl.com.au](mailto:service@ixl.com.au) to provide details and register your claim enabling a IXL Home assessment;
  - Submit proof of purchase with your claim eg. tax invoice or purchase receipt;
  - Where a property has been constructed by a builder/developer and it is fitted with IXL products, please submit proof of purchase by way of the certificate of occupancy, with your claim.
8. IXL Home will contact you to make arrangements for a replacement product.

## Privacy

The privacy of your personal information has always been important to us. To learn more about how we collect, keep and use your personal information, please obtain a copy of our privacy statement by visiting our website at [www.ixlappliances.com.au](http://www.ixlappliances.com.au) or by contacting us via email on [service@ixl.com.au](mailto:service@ixl.com.au) or by telephone on 1300 727 421.

## Customers Support

Visit IXL Home website below to register your warranty details online.

### Australia

[www.ixlappliances.com.au/warranty](http://www.ixlappliances.com.au/warranty)

### New Zealand

[www.ixlappliances.co.nz/warranty](http://www.ixlappliances.co.nz/warranty)

### Australia

Free Call: 1300 727 42 |

### New Zealand

Free Call: 0800 727 421

E: [service@ixl.com.au](mailto:service@ixl.com.au) | [www.ixlhome.com.au](http://www.ixlhome.com.au)



## Documents / Resources



[IXL 10330 Ventflo Ceiling Fan 200](#) [pdf] Instruction Manual

10330 Ventflo Ceiling Fan 200, 10330, Ventflo Ceiling Fan 200, Ventflo Ceiling Fan, Ceiling Fan, Fan

**Related Posts**



[IXL 10331 Ventflo Extraction Fan Installation Guide](#)

IXL 10331 Ventflo Extraction Fan SEALED INDUSTRIAL LUMINAIRE Only a professional electrician is allowed to do the installation....



[CREATE WINDWOOD CEILING Fan User Manual](#)

WINDWOOD CEILING Fan



[ANDERIC FAN9T Ceiling Fan Ceiling Fan Receiver Instruction Manual](#)

FAN9T and FAN28R/UC7067FCRX Installation Instructions. Notes: This remote system is not designed for fan forward/reverse operation, for fan...



[MinkaAire Skyhawk Ceiling Fan User Manual](#)

MinkaAire Skyhawk Ceiling Fan User Manual - Optimized PDF MinkaAire Skyhawk Ceiling Fan User Manual - Original PDF

**Leave a comment**

Your email address will not be published. Required fields are marked \*

Comment \*

Name

Email

Website

Save my name, email, and website in this browser for the next time I comment.

[Manuals+](#),

- [home](#)
- [privacy](#)