



IKEA STORJORM Mirror with Built-in Light Instruction Manual

[Home](#) » [Ikea](#) » [IKEA STORJORM Mirror with Built-in Light Instruction Manual](#) 

Contents

- [1 IKEA STORJORM Mirror with Built-in Light](#)
- [2 Product Information](#)
- [3 Product Usage Instructions](#)
- [4 PARTS](#)
- [5 INSTALLATION](#)
- [6 Documents / Resources](#)



IKEA STORJORM Mirror with Built-in Light



Product Information

- **Product Name:** STORJORM
- **Luminaire Type:** Bathroom Light
- **Light Source:** Non-changeable light diodes (LED)
- **Energy Efficiency Class:** E

Product Usage Instructions

Installation in Bathrooms:

- The installation should be carried out by an authorized electrical contractor.
- The luminaire must be permanently installed in the electric system and placed in the correct zone.
- Different materials require different types of fittings. Always choose screws and plugs that are specially suited to the material.

Caution:

- Do not disassemble the product, as the light diodes can cause damage to the eyes.
- Do not immerse the product in water.
- The independent LED driver should not be used in close proximity to or under building thermal insulation.

Note: Always shut off power to the circuit before starting installation work. In some countries, electrical installation work may only be carried out by an authorized electrical contractor. Contact your local electricity authority for advice.

IMPORTANT!

- Always shut off power to the circuit before starting installation work. In some countries electrical installation work may only be carried out by a authorised electrical contractor.
- Contact your local electricity authority for advice.

INSTALLATION IN BATHROOMS

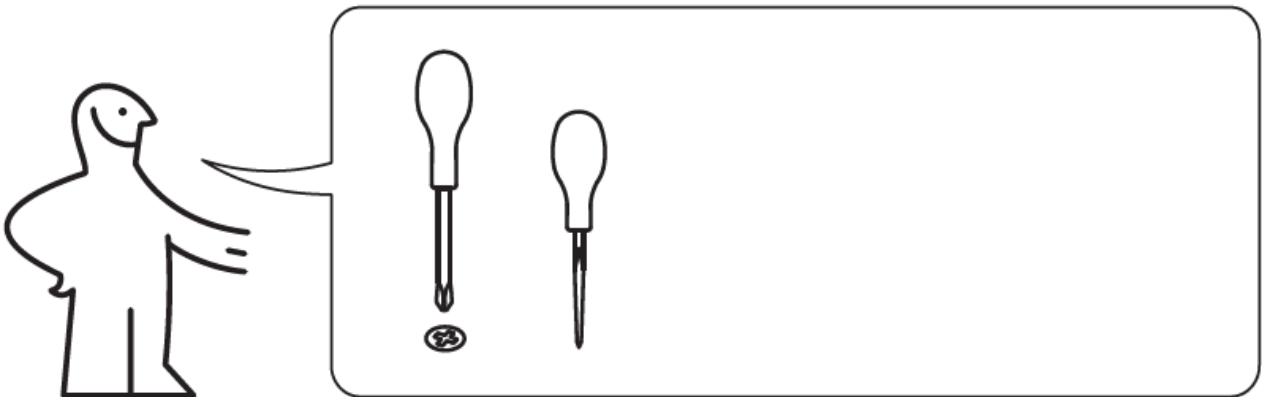
The installation shall be carried out by an authorised electrical contractor. The luminaire must be permanently installed in the electric system and placed in the correct zone.

Different materials require different types of fittings. Always choose screws and plugs that are specially suited to the material.

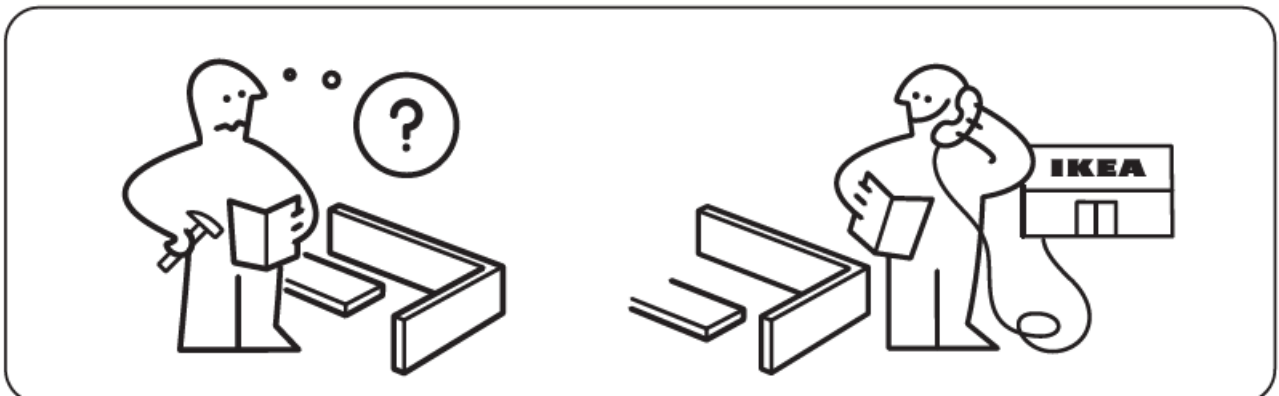
CAUTION!

- The light source of this product is non-changeable light diodes (LED).
- Do not disassemble the product, as the light diodes can cause damage to the eyes.
- Do not immerse in water.
- The independent LED driver shall not be used in close proximity to or under building thermal insulation.
- This product contains a light source of energy efficiency class E.

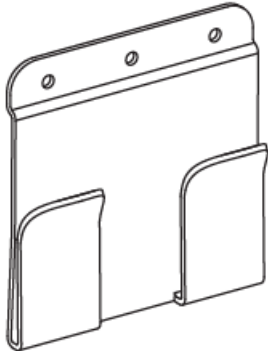
TOOLS REQUIRED



INFORMATION



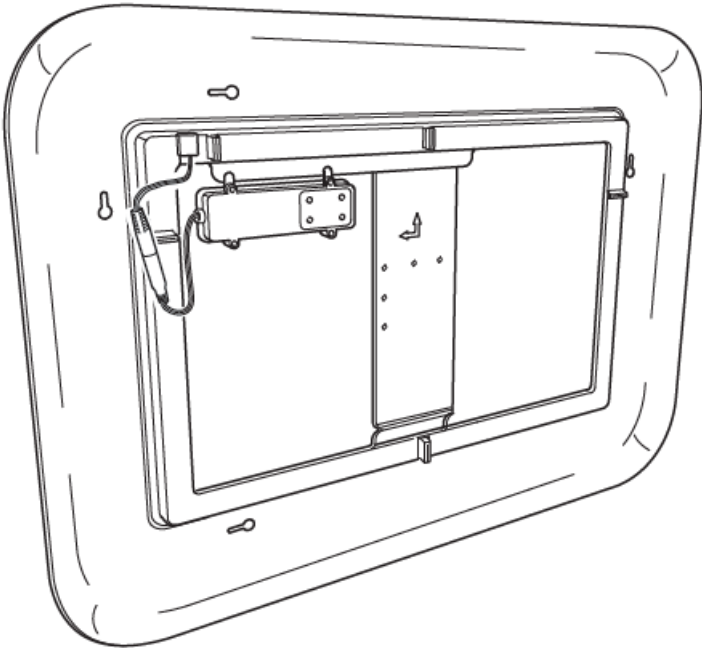
PARTS



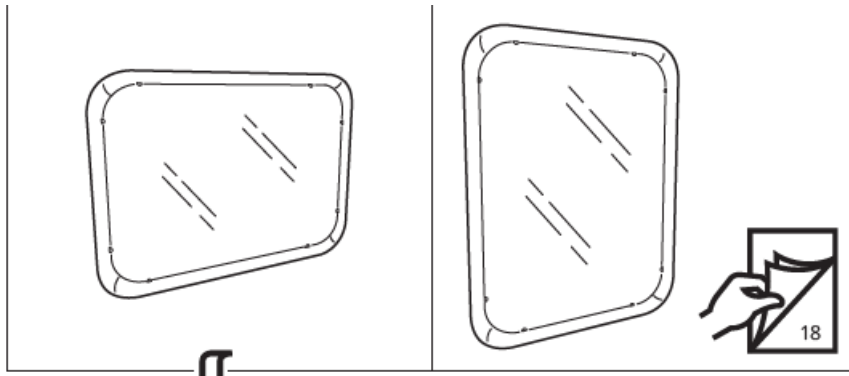
1x



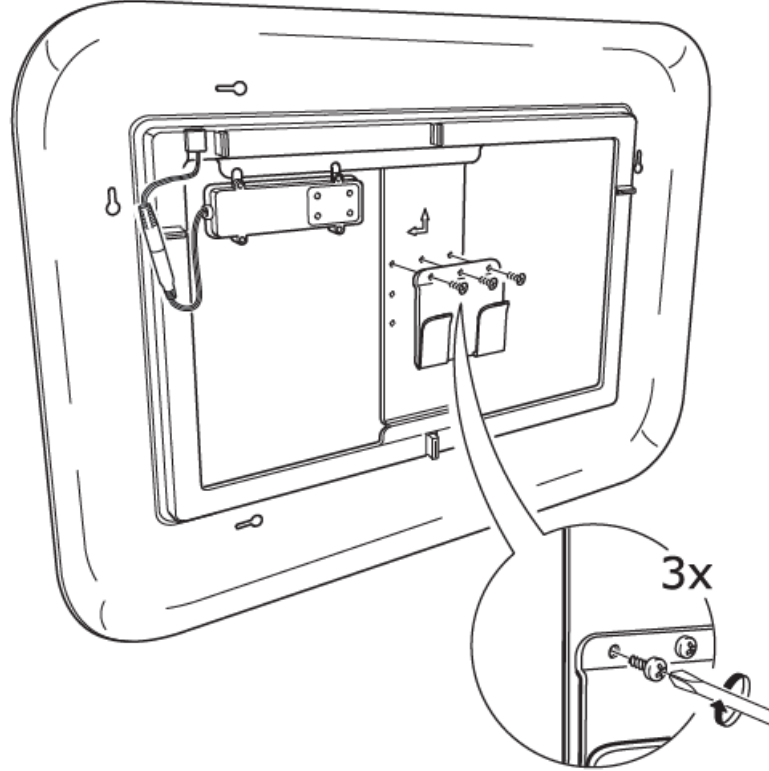
3x



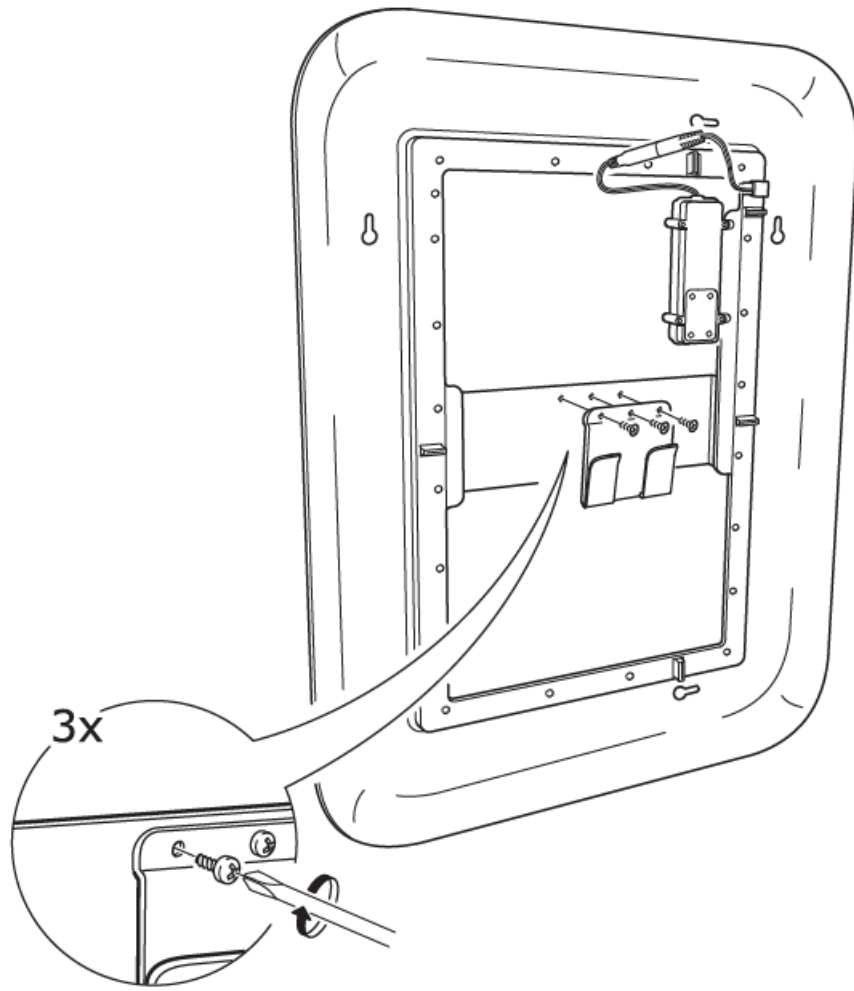
INSTALLATION



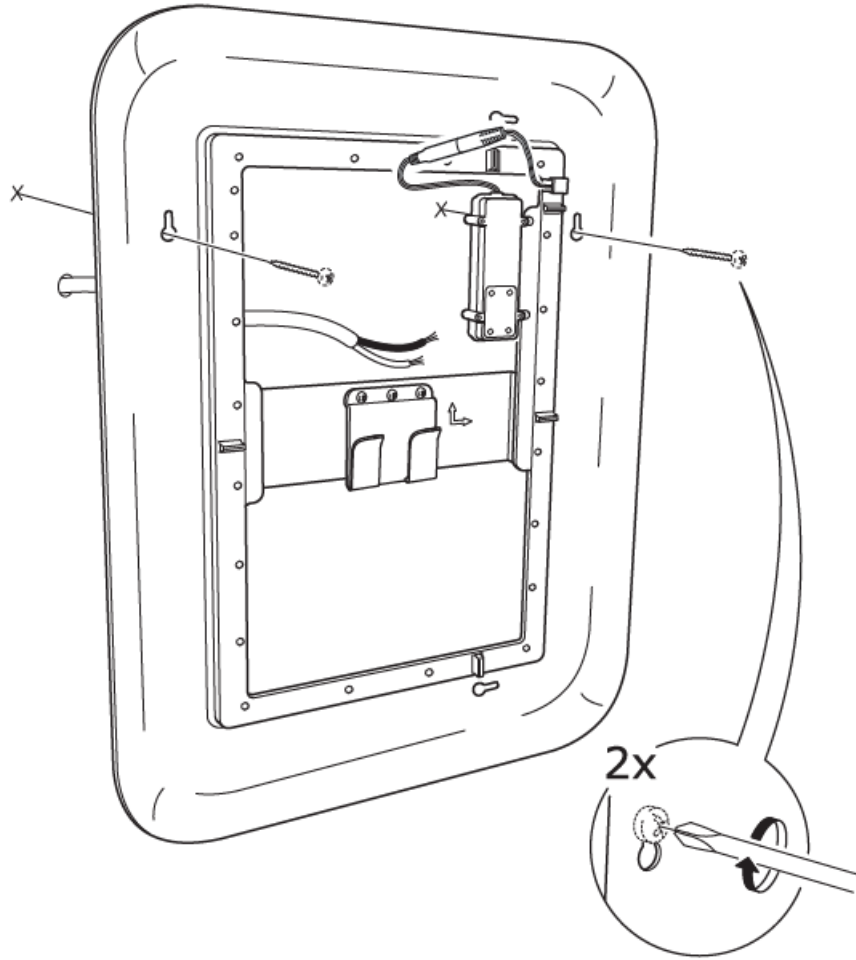
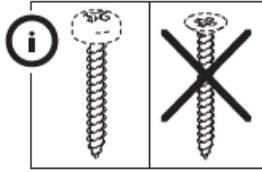
1



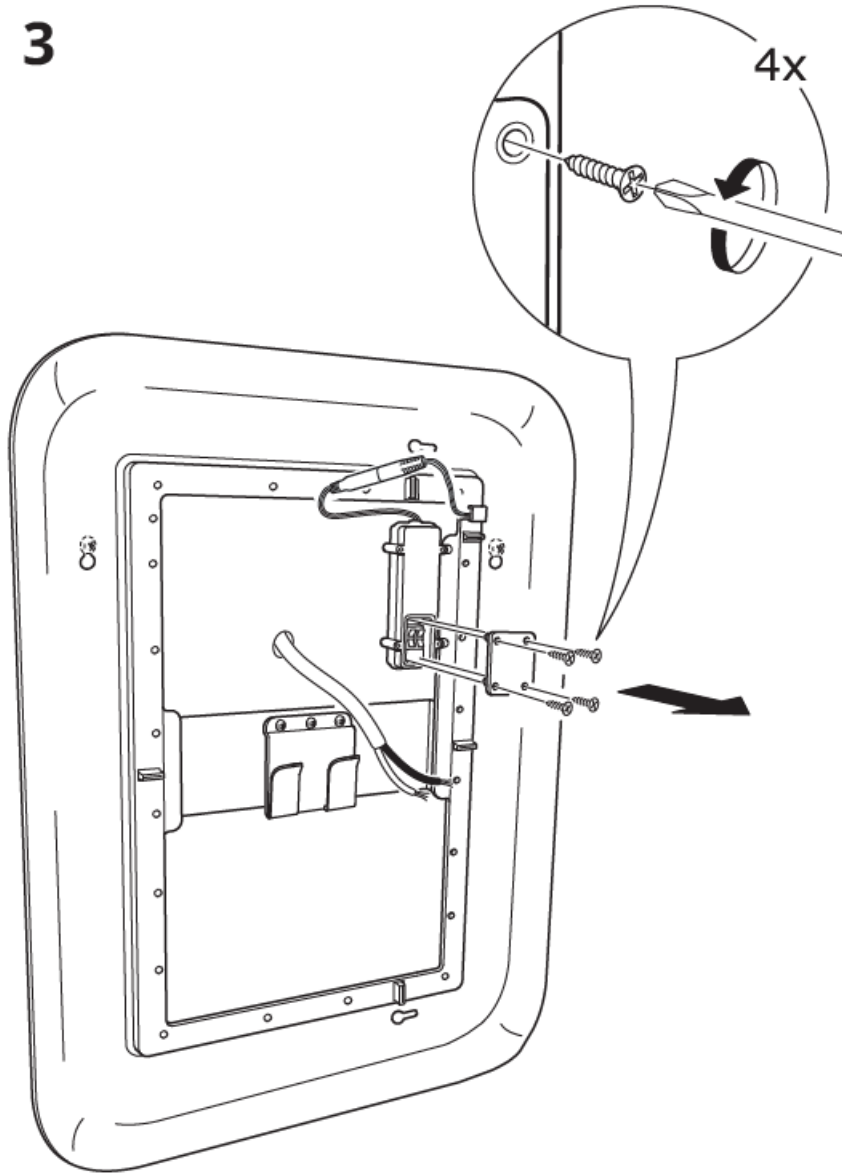
1



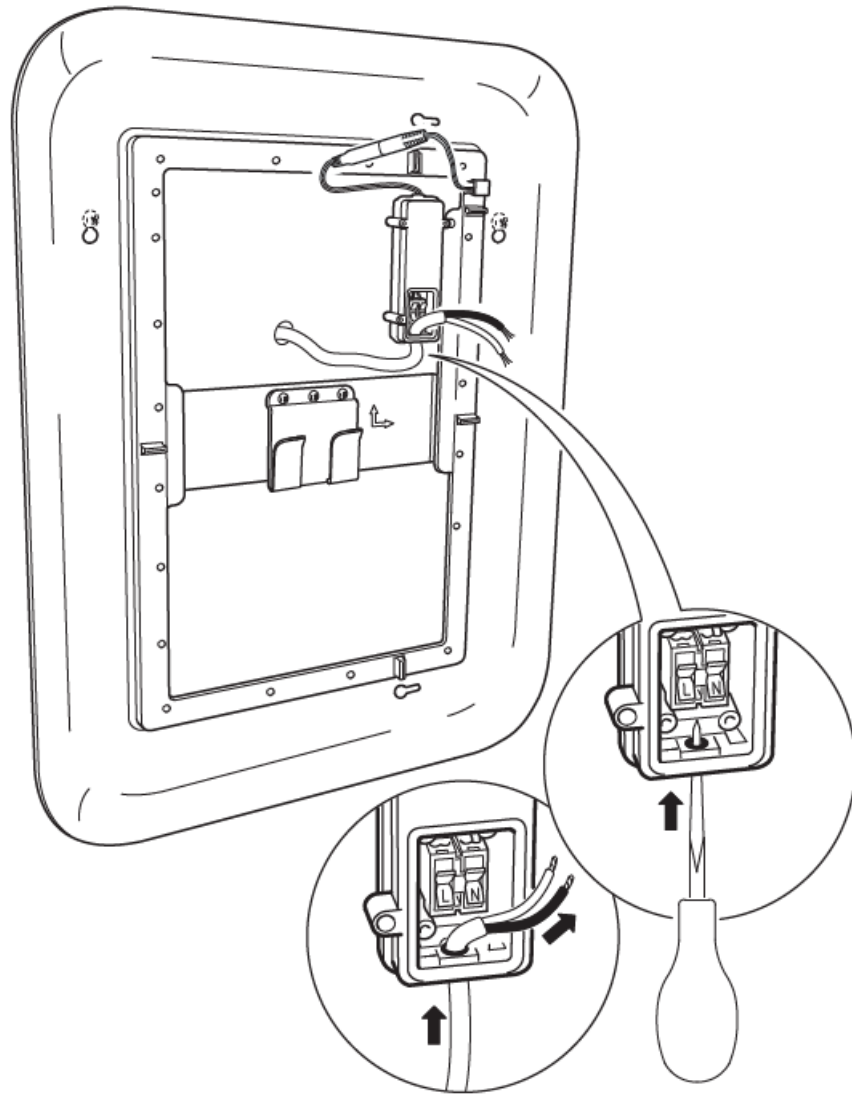
2



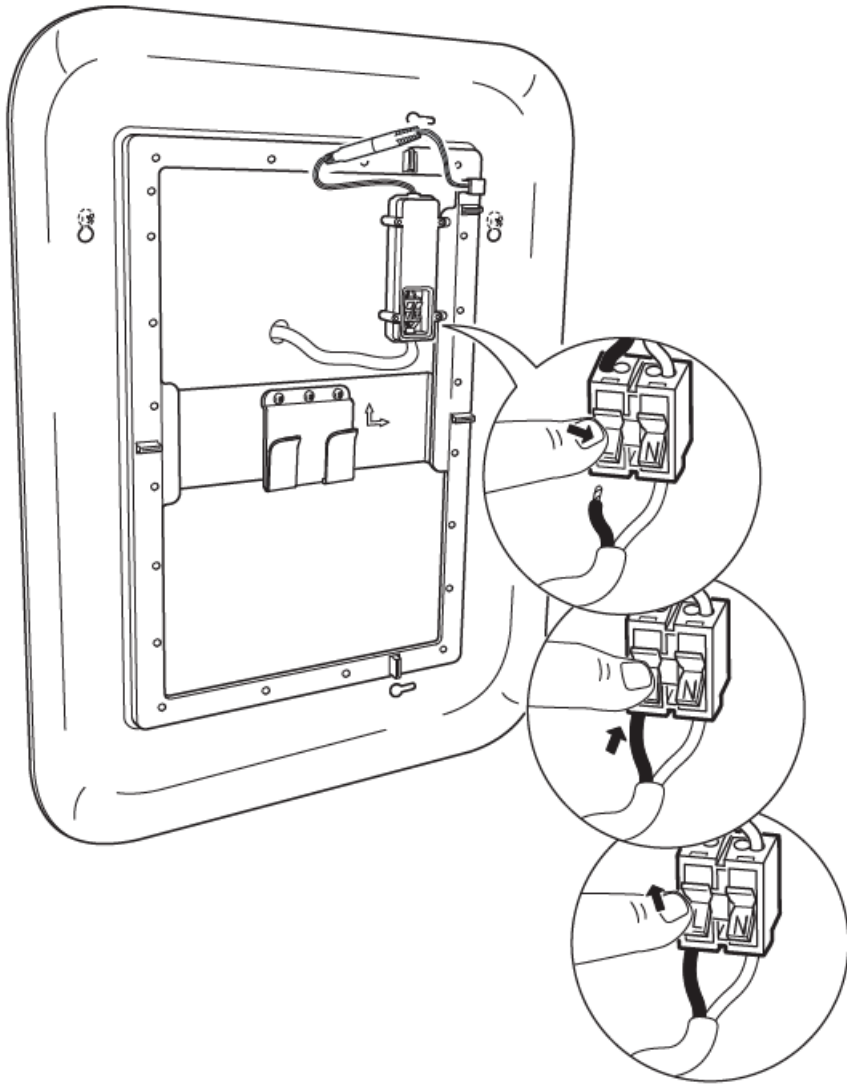
3



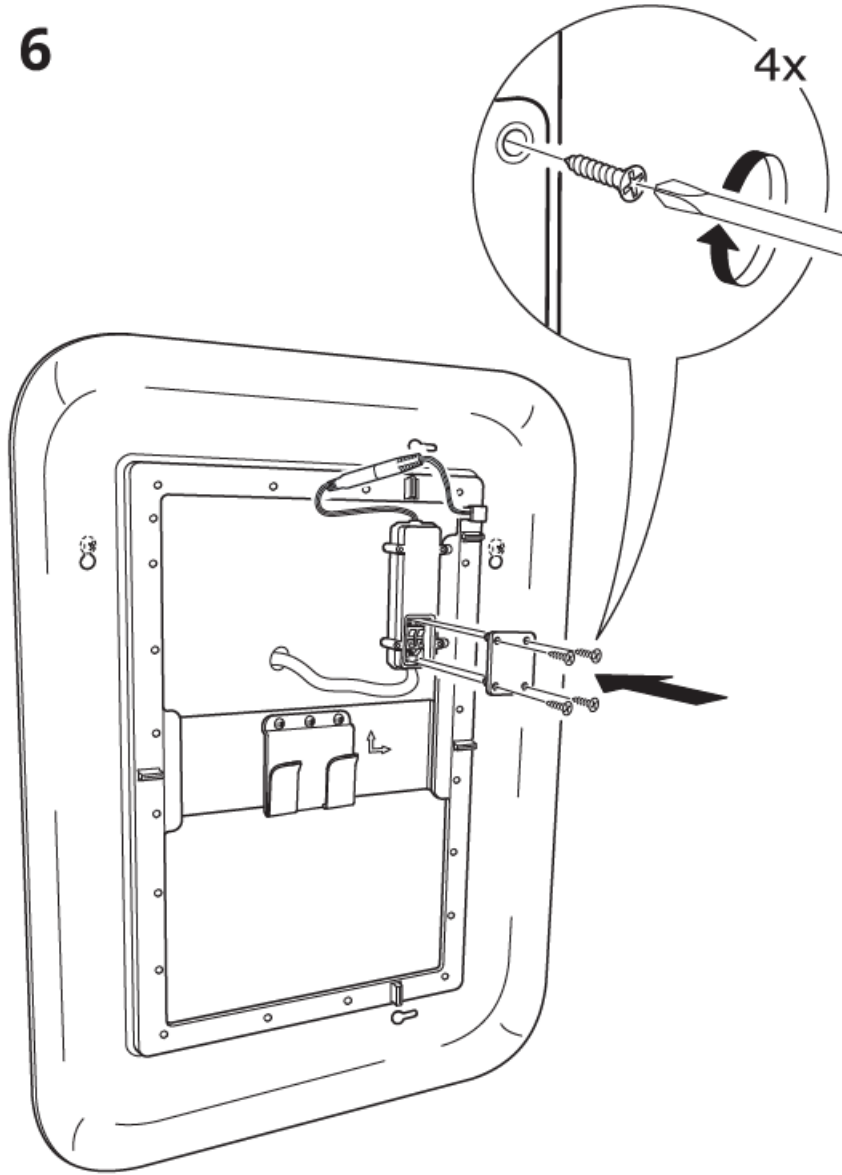
4

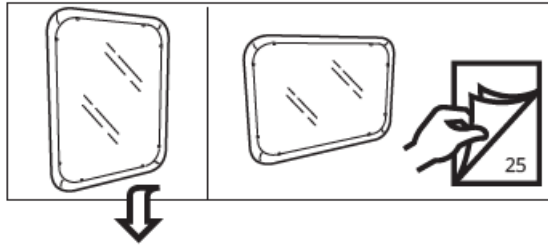


5

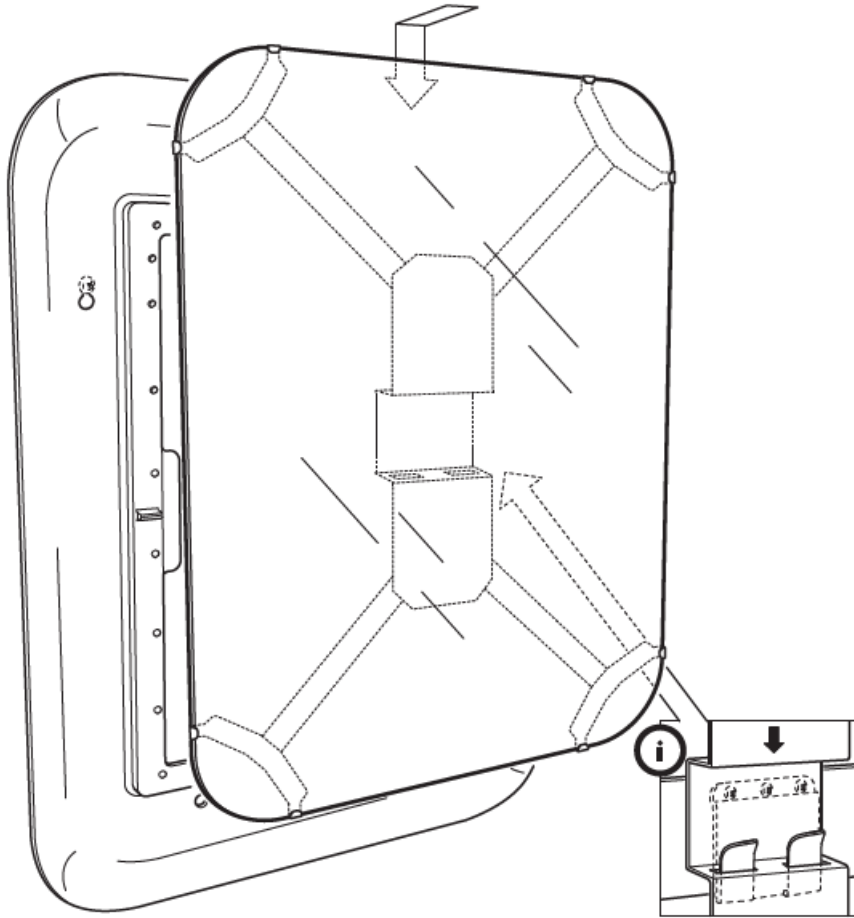


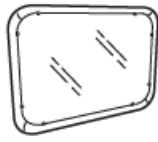
6



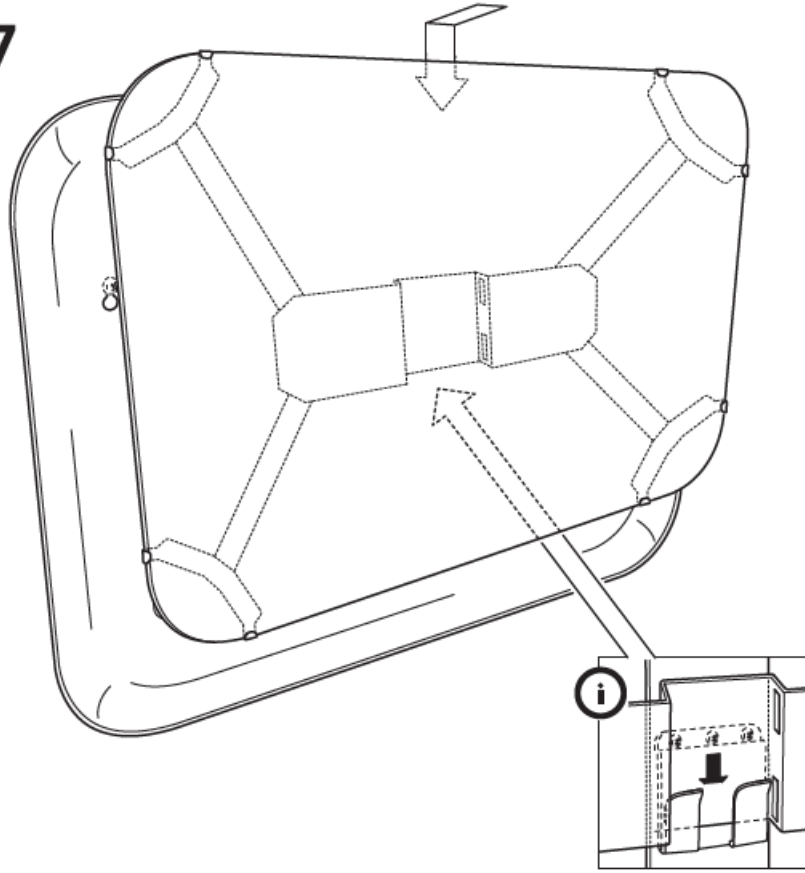


7

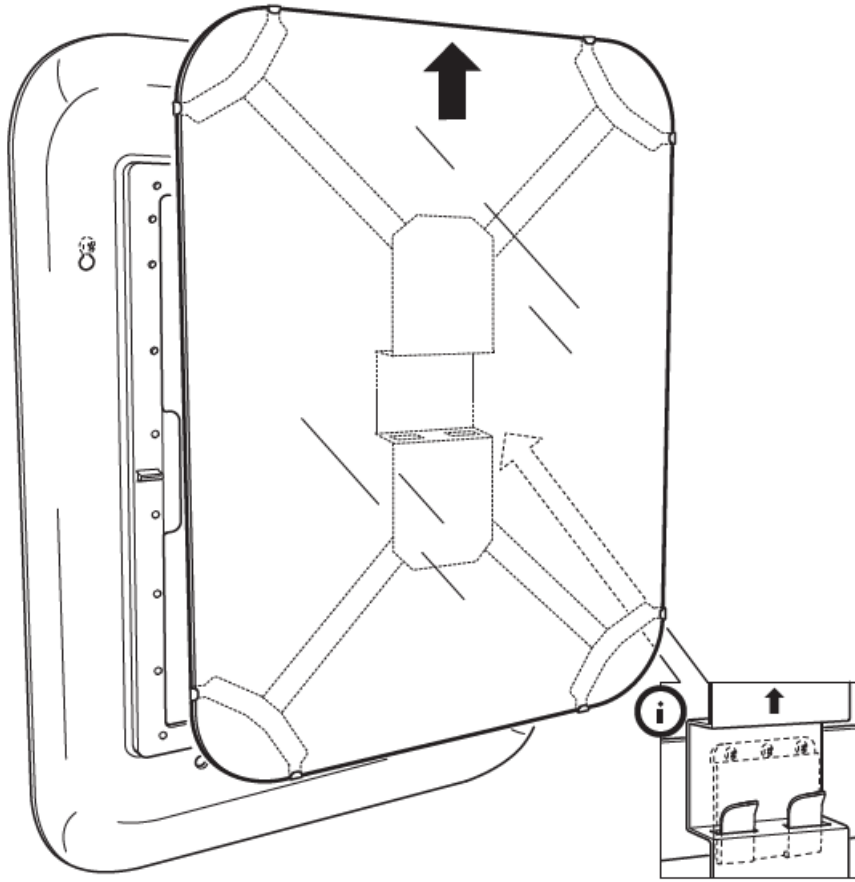




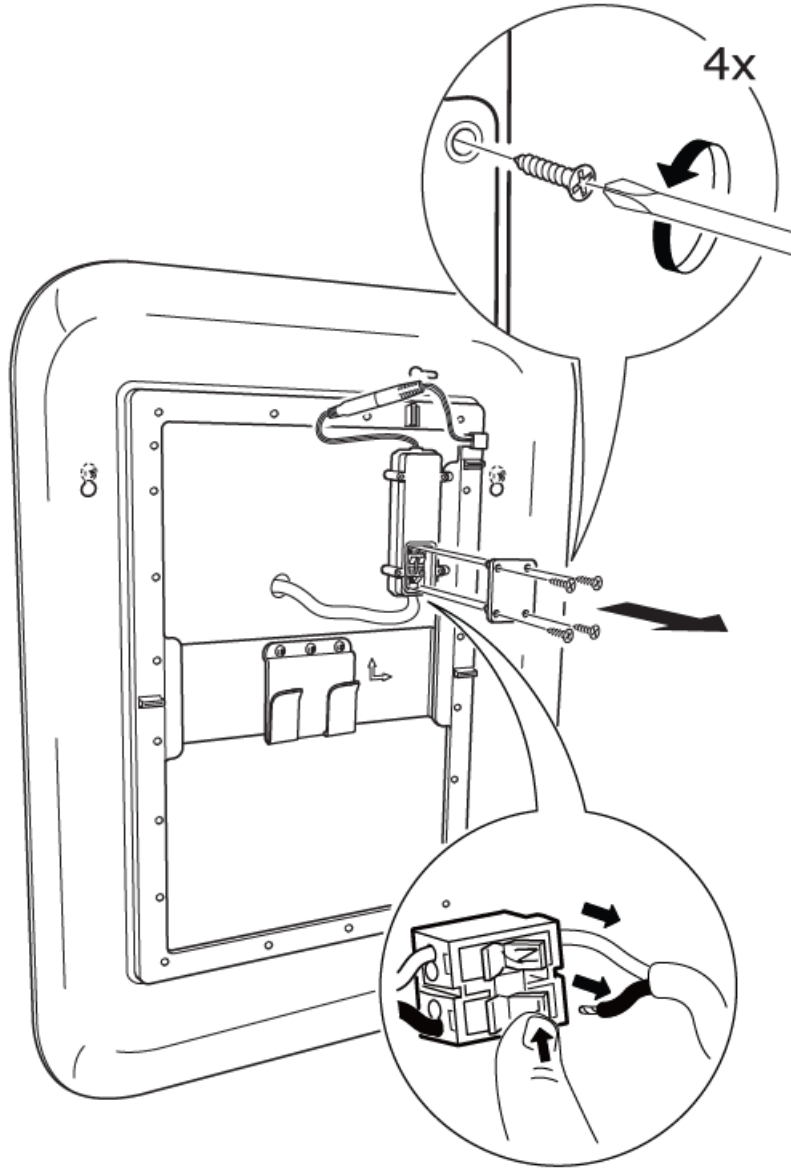
7



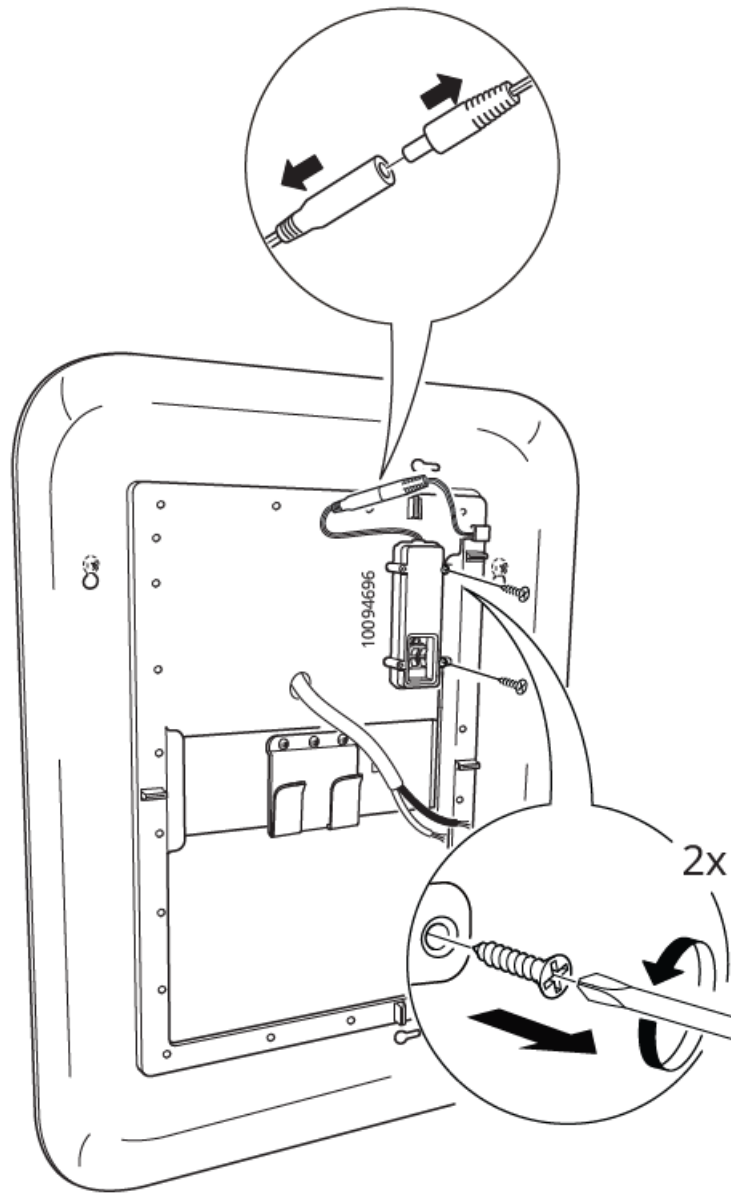
1



2




3



© Inter IKEA Systems B.V. 2022 2022-03-22 AA-2340899-1
Design and Quality
IKEA of Sweden

Documents / Resources

<p>STORJORM</p>  	<p>IKEA STORJORM Mirror with Built-in Light [pdf] Instruction Manual 702.481.25, 203.690.73, STORJORM, STORJORM Mirror with Built-in Light, Mirror with Built-in Light, Built-in Light, Light</p>
--	---