



# HYTRONIK HBTD8200T Wireless Dimmer – 150VA Trailing Edge Version Instruction Manual

[Home](#) » [HYTRONIK](#) » [HYTRONIK HBTD8200T Wireless Dimmer – 150VA Trailing Edge Version Instruction Manual](#) 

## Contents

- [1 HYTRONIK HBTD8200T Wireless Dimmer – 150VA Trailing Edge Version](#)
- [2 Technical Specifications](#)
- [3 Download the App](#)
- [4 Dimming Interface Operation Notes](#)
- [5 Installation](#)
  - [5.1 Wiring Diagram](#)
- [6 Additional Information / Documents](#)
- [7 r – 150VA Trailing Edge Version](#)
- [8 Technical Specifications](#)
- [9 Download the App](#)
- [10 Dimming Interface Operation Notes](#)
- [11 Installation](#)
- [12 Wiring Diagram](#)
- [13 Additional Information / Documents](#)
- [14 Documents / Resources](#)
  - [14.1 References](#)
- [15 Related Posts](#)

**HYTRONIK**®

## HYTRONIK HBTD8200T Wireless Dimmer – 150VA Trailing Edge Version



### Technical Specifications

- Product type: Wireless Trailing Edge Dimmer Module
- Mains voltage: 230VAC 50Hz
- Rated load: 2x100VA (Capacitive) / 2x150W (Resistive)
- Max. load (0/1-10V): 50mA
- Stand-by power: <0.5W
- Operation frequency: 2.4 GHz – 2.483 GHz
- Transmission power: 4 dBm
- Range (Typical): 10 ~ 30m
- Protocol: 5.0 SIG Mesh
- Operation temperature: Ta: -20°C ~ +45°C
- Case temperature (Max.): Tc: +80°C
- Storage temperature: -20°C ~ +60°C
- Max. relative humidity: 20 ~ 90%
- IP rating: IP20
- Impulse withstand voltage: 2.5KV
- Duty type: S1
- Insulation material: PTI material group IIIa
- Glow wire: level 3, 850°C
- Protection: Built-in protection provide

- Insulation: Class II
- EMC standard (EMC): EN55015, EN61547, EN61000-3-2, EN61000-3-3
- Safety standard (LVD): IEC 61058-1, EN 61058-1, IEC 61058-1-2 EN 61058-1-2, AS/NZS 61058.1
- Radio Equipment (RED): EN300328, EN301489-1, EN301489-17, EN62479

## Download the App

Free App for set-up and commissioning



# Bluetooth 5.0 SIG mesh



iOS



Android



for iOS



for Android

Smartphone app for both iOS & Android platform

---





for iPad

Koolmesh Pro app for iPad

---



Web





for Web

Web app/platform: [www.iot.koolmesh.com](http://www.iot.koolmesh.com)

## Dimming Interface Operation Notes

### Switch-Dim

The provided Switch-Dim interface allows for a simple dimming method using commercially available non-latching (momentary) wall switches. Detailed Push switch configurations can be set on Koolmesh app.

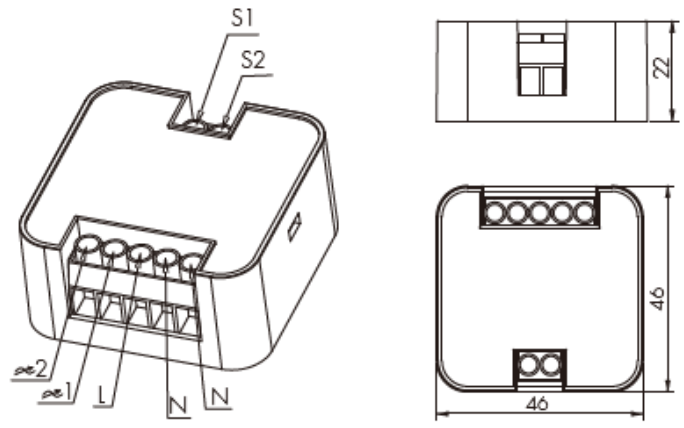
| Switch Function    | Action  | Descriptions  |
|--------------------|---|---|
|                    | <p>Short press (&lt;1 second)</p> <p>* Short press has to be longer than 0.1s, or it will be invalid.</p> | <ul style="list-style-type: none"> <li>– Turn on/off – Recall a scene</li> <li>– Turn on only – Exit manual mode</li> <li>– Turn off only – Do nothing</li> </ul> |
|                    | <p>Double push</p>  | <ul style="list-style-type: none"> <li>– Turn on only – Exit manual mode</li> <li>– Turn off only – Do nothing</li> <li>– Recall a scene</li> </ul>               |
| <p>Push switch</p> |   |   |

|                 |                               |   |
|-----------------|-------------------------------|---|
|                 | Long press ( $\geq 1$ second) | <ul style="list-style-type: none"> <li>– Dimming</li> <li>– Colour tuning</li> <li>– Do nothing</li> </ul>                        |
| Simulate sensor | /                             | <ul style="list-style-type: none"> <li>– Upgrade a normal on/off motion sensor to a Bluetooth controlled motion sensor</li> </ul> |

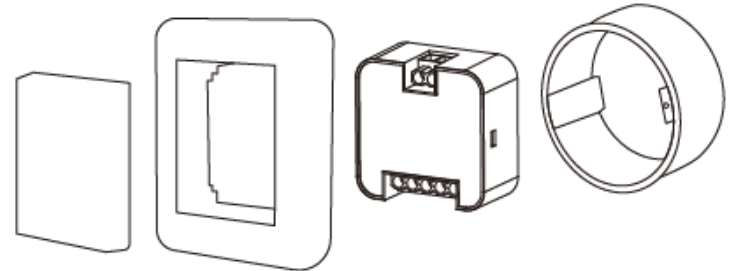
## Installation

### Warnings:

1. Installation must be carried out by a qualified engineer in accordance with local regulations.
2. Disconnect power supply before installing.
3. Ensure environmental conditions are suitable for electronic equipment.



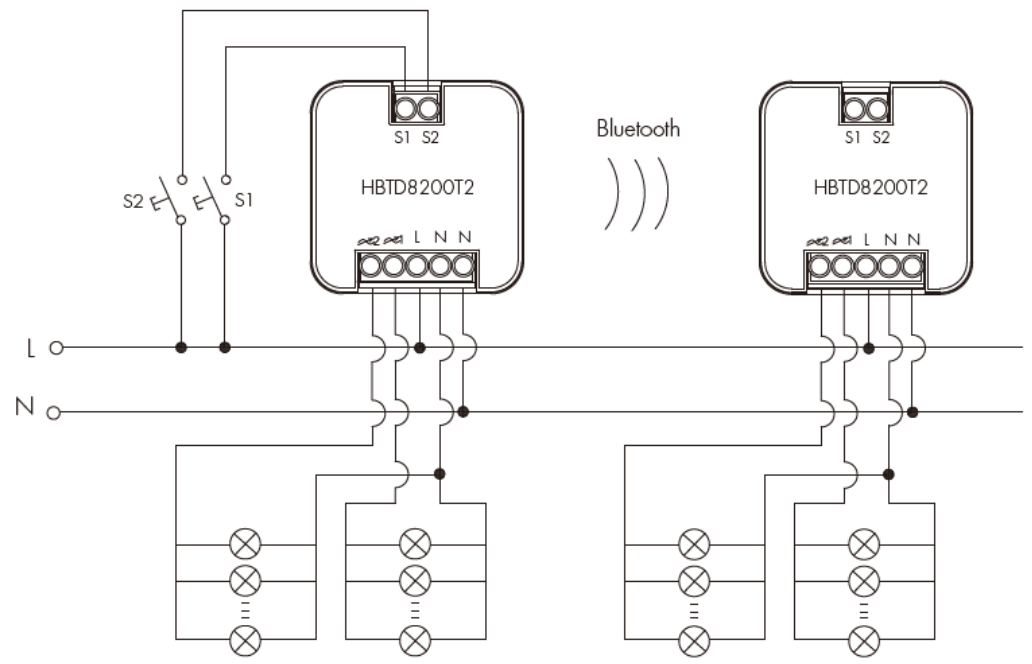
Typical Switch Box Mounting



Wire Preparation



Wiring Diagram

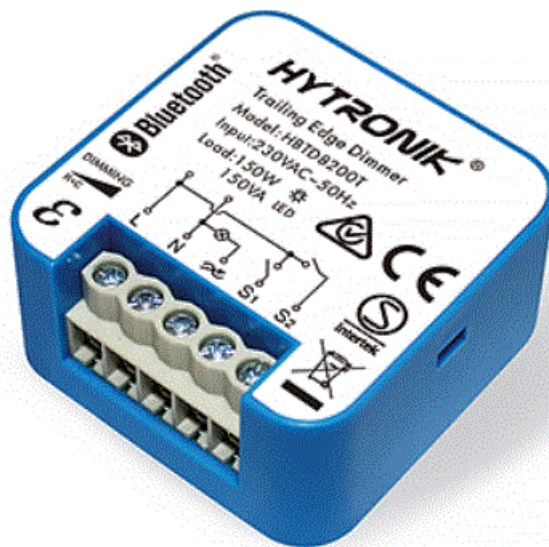


Additional Information / Documents



1. To learn more about detailed product features/functions, please refer to [www.hytronik.com/download](http://www.hytronik.com/download) ->knowledge ->Introduction of App Scenes and Product Functions
2. Regarding precautions for Bluetooth product installation and operation, please kindly refer to [www.hytronik.com/download](http://www.hytronik.com/download) ->knowledge ->Bluetooth Products – Precautions for Product Installation and Operation
3. Data sheet is subject to change without notice. Please always refer to the most recent release on [www.hytronik.com/products/bluetooth technology](http://www.hytronik.com/products/bluetooth%20technology) ->Bluetooth Sensor ->Receiver Nodes
4. Regarding Hytronik standard guarantee policy, please refer to [www.hytronik.com/download](http://www.hytronik.com/download) ->knowledge ->Hytronik Standard Guarantee Policy

[www.HYTRONIK.COM](http://www.HYTRONIK.COM)

### r – 150VA Trailing Edge Version



## Technical Specifications

|                           |   |
|---------------------------|---|
| Product type              |  Bluetooth® Wireless Trailing Edge Dimmer Module |
| Mains voltage             | 230VAC 50Hz   |
| Load                      | 1-150VA (Capacitive) / 1-150W (Resistive)   |
| Stand-by power            | <0.5W   |
| Operation frequency       | 2.4 GHz - 2.483 GHz   |
| Transmission power        | 4 dBm   |
| Range (Typical)           | 10 ~ 30m  |
| Protocol                  |  Bluetooth® 5.0 SIG Mesh                         |
| Operation temperature     | Ta: -20°C ~ +45°C   |
| Case temperature (Max.)   | Tc: +80°C   |
| Storage temperature       | -20°C ~ +60°C   |
| Max. relative humidity    | 20 ~ 90%  |
| IP rating                 | IP20  |
| Impulse withstand voltage | 2.5KV   |
| Duty type                 | S1  |
| Insulation material       | PTI material group IIIa   |
| Glow wire                 | Level 3, 850°C  |
| Protection                | Built-in protection provided  |
| Insulation                | Class II  |
| EMC standard (EMC)        | EN55015, EN61547, EN61000-3-2, EN61000-3-3  |
| Safety standard (LVD)     | IEC 61058-1, EN 61058-1, IEC 61058-1-2<br>EN 61058-1-2, AS/NZS 61058.1  |
| Radio Equipment (RED)     | EN300 328, EN301489-1, EN301489-17, EN62479   |

## Download the App

Free App for set-up and commissioning





Smartphone app for both iOS & Android platform



Koolmesh Pro app for iPad



## Dimming Interface Operation Notes

### Switch-Dim

The provided Switch-Dim interface allows for a simple dimming method using commercially available non-latching (momentary) wall switches. Detailed Push switch configurations can be set on the Koolmesh app.

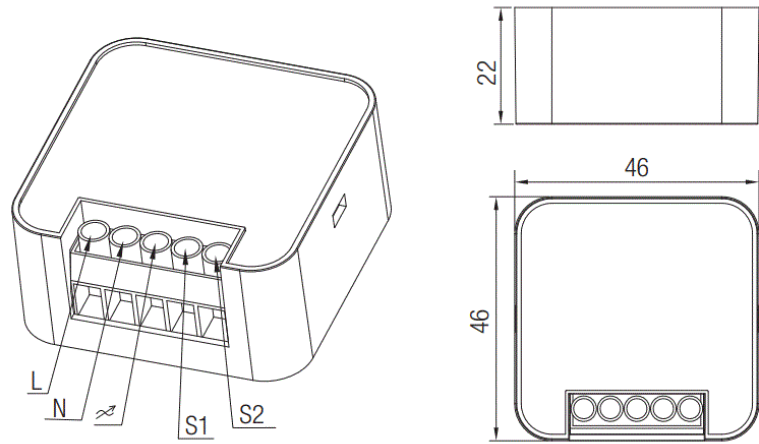
| Switch Function | Action  | Descriptions   |
|-----------------|---|--|
| Push switch     | Short press (<1 second)<br>* Short press has to be longer than 0.1s, or it will be invalid. | - Turn on/off<br>- Recall a scene<br>- Turn on only<br>- Exit manual mode<br>- Turn off only<br>- Do nothing |
|                 | Double push   | - Turn on only<br>- Exit manual mode<br>- Turn off only<br>- Do nothing<br>- Recall a scene                  |
|                 | Long press ( $\geq 1$ second)   | - Dimming<br>- Colour tuning<br>- Do nothing   |
| Simulate sensor | /   | - Upgrade a normal on/off motion sensor to a Bluetooth controlled motion sensor                              |

## Installation

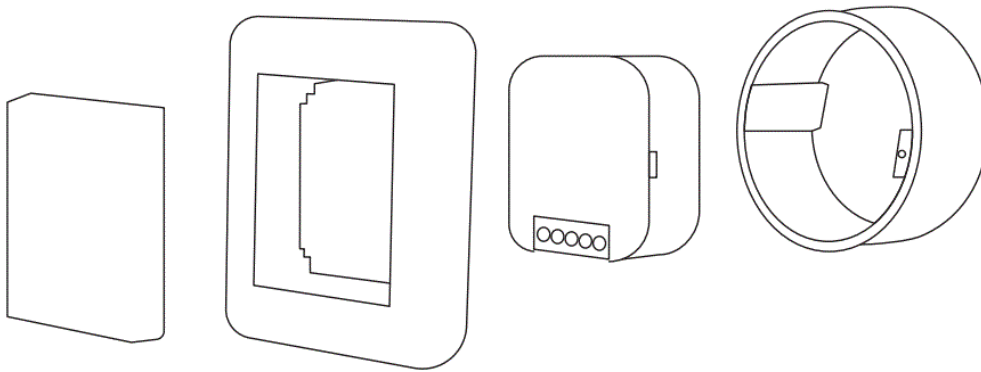
### Warnings:

1. Installation must be carried out by a qualified engineer in accordance with local regulations.

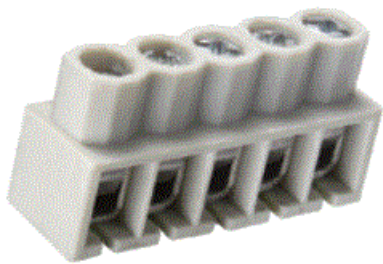
2. Disconnect power supply before installing.
3. Ensure environmental conditions are suitable for electronic equipment.



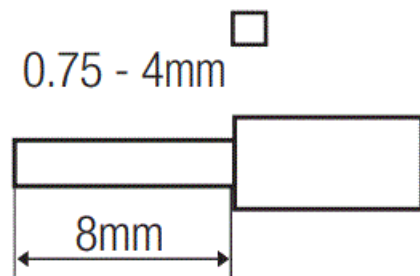
### Typical Switch Box Mounting



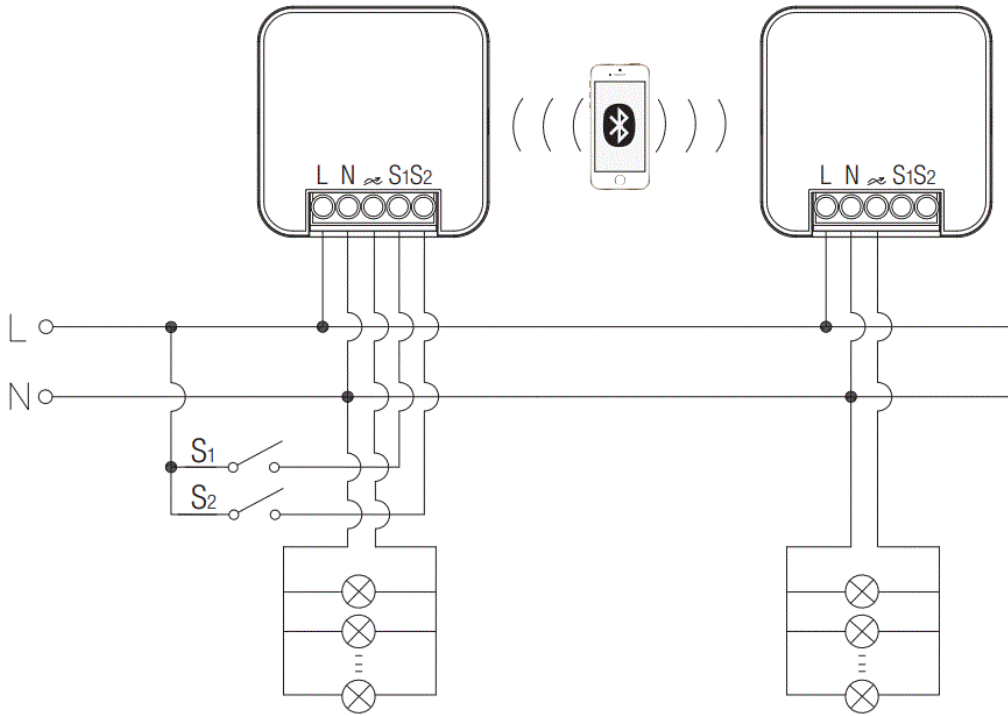
### Wire Preparation



Rising clamp terminal.



## Wiring Diagram



## Additional Information / Documents

1. To learn more about detailed product features/functions, please refer to [www.hytronik.com/download->knowledge](http://www.hytronik.com/download->knowledge) ->Introduction of App Scenes and Product Functions
2. Regarding precautions for Bluetooth product installation and operation, please kindly refer to [www.hytronik.com/download->knowledge](http://www.hytronik.com/download->knowledge) >Bluetooth Products- Precautions for Product Installation and Operation
3. A datasheet is subject to change without notice. Please always refer to the most recent release on [www.hytronik.com/products/bluetooth-technology->Bluetooth Dimmers](http://www.hytronik.com/products/bluetooth-technology->Bluetooth-Dimmers)
4. Regarding Hytronik's standard guarantee policy, please refer to [www.hytronik.com/download->knowledge](http://www.hytronik.com/download->knowledge) ->Hytronik Standard Guarantee Policy

[www.HYTRONIK.COM](http://www.HYTRONIK.COM)

Subject to change without notice.

## Documents / Resources

|  |   |
|--|---|
|  | <p><a href="#">HYTRONIK HBTD8200T Wireless Dimmer - 150VA Trailing Edge Version</a> [pdf] Instruction Manual<br/>Trailing Edge Version, 150VA, Wireless, Dimmer, Wireless Dimmer, HBTD8200T</p> |
|--|---|

## References

- [Catalogue\\_Hytronik](#)

-  [iot.koolmesh.com](http://iot.koolmesh.com)

Manuals+