

HYCHIKA[®]
BETTER TOOLS FOR BETTER LIFE

ML-RS18-180

**Cordless
Reciprocating
Saw**



HYCHIKA ML-RS18-180 Cordless Reciprocating Saw Instruction Manual

[Home](#) » [HYCHIKA](#) » HYCHIKA ML-RS18-180 Cordless Reciprocating Saw Instruction Manual 

Contents

- [1 HYCHIKA ML-RS18-180 Cordless Reciprocating Saw](#)
- [2 Technical Data](#)
- [3 Intended use](#)
- [4 Batteries](#)
- [5 Features](#)
- [6 Charging the battery pack](#)
- [7 Changing the blade](#)
- [8 Operation](#)
- [9 Adjusting the base plate](#)
- [10 Troubleshooting](#)
- [11 EC DECLARATION OF CONFORMITY](#)
- [12 Documents / Resources](#)
 - [12.1 References](#)

HYCHIKA[®]
BETTER TOOLS FOR BETTER LIFE

HYCHIKA ML-RS18-180 Cordless Reciprocating Saw



Thank you for choosing a HYCHIKA series product. If you have any questions, please scan the QR code to access the user manual, product videos, and online customer support.



Technical Data

| | |
|---------------|-----------|
| Rated Voltage | 18V |
| No-load speed | 0-2800SPM |
| Stroke length | 22mm |
| Battery Pack | 2.0Ah |
| Charger | 2A |

Intended use

The device reciprocating saw has been designed for sawing wood, plastics and sheet metal. This tool is intended for consumer use only.

Plunge cuts

Batteries

- Never attempt to open for any reason.
- Do not expose the battery to water.
- Do not store in locations where the temperature may exceed 40 °C. Charge only at ambient temperature between 10 °C and 40 °C.
- Charge only using the charger provided with the tool
- When disposing of batteries, follow the instructions given in the section “Protecting the environment”
- Do not attempt to charge damaged batteries.

Chargers

- Use your HYCH I KA charger only to charge the battery in the tool with which it was supplied. Other batteries could burst, causing personal injury and damage.
- Never attempt to charge non-rechargeable batteries.
- Have defective cords replaced immediately?
- Do not expose the charger to water.
- Do not open the charger.
- Do not probe the charger.



The charger is intended for indoor use only.



Read the instruction manual before use.

Electrical safety

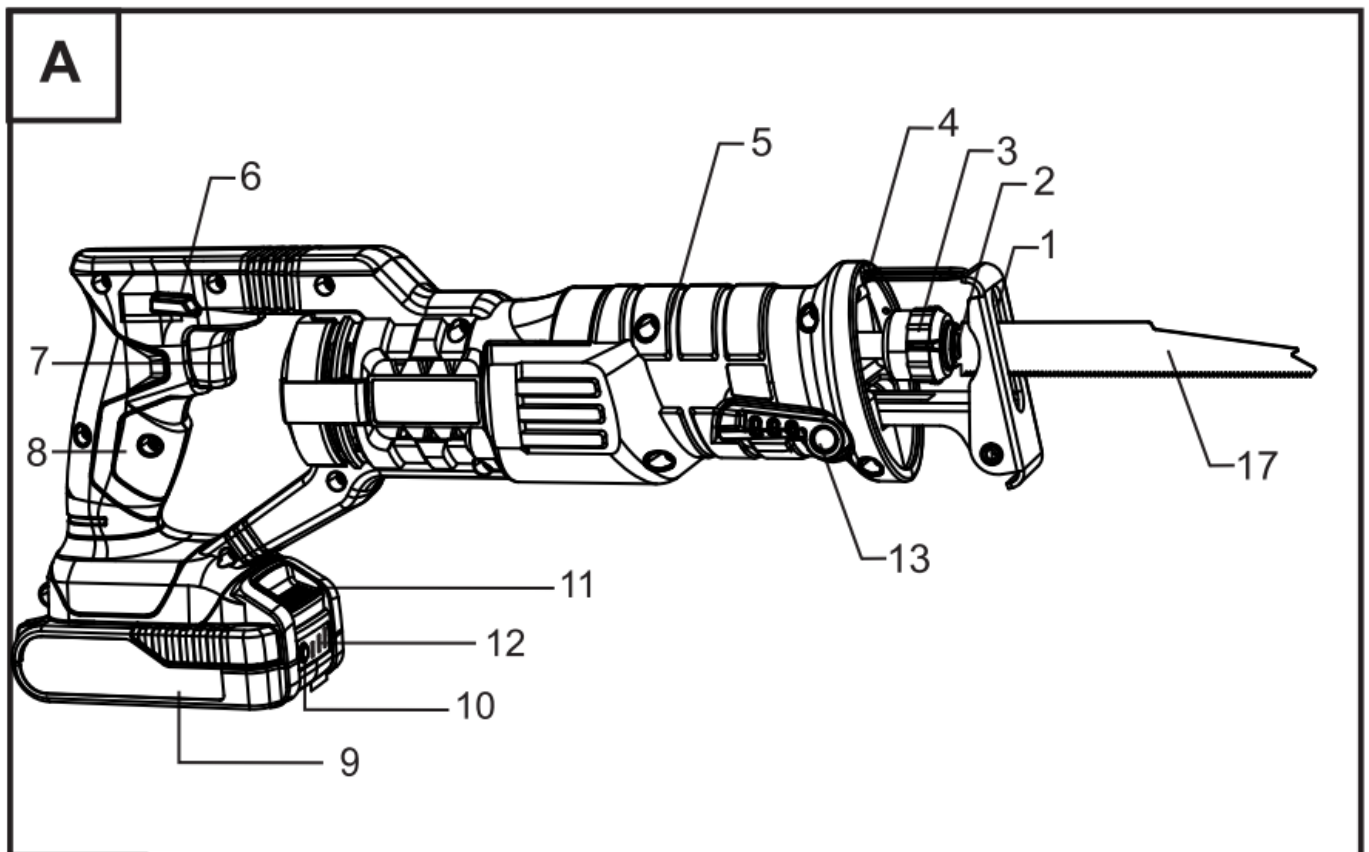


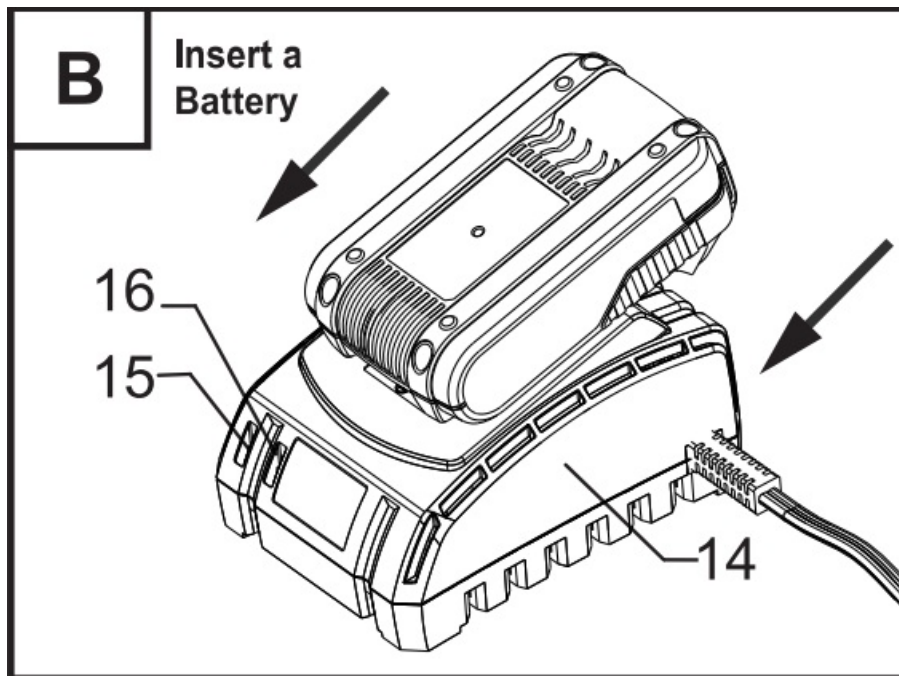
Your charger is double insulated; therefore no earth wire is required. Always check that the mains voltage corresponds to the voltage on the rating plate. Never attempt to replace the charger unit with a regular mains plug.

- If the supply cord is damaged, it must be replaced by the manufacturer or an authorized Service Centre in order to avoid a hazard.

Features

This tool includes some or all of the following features. Figure A:





1. Base plate
2. Saw blade retainer
3. Chuck ring
4. LED work light
5. Front handle
6. Switch lock
7. On/Off switch
8. Rear handle
9. Battery pack
10. Battery level button
11. Release button
12. Battery level indication light
13. Base plate adjustment
14. Faster charger
15. Charge status LED – red
16. Charge status LED – green button
17. Saw blade

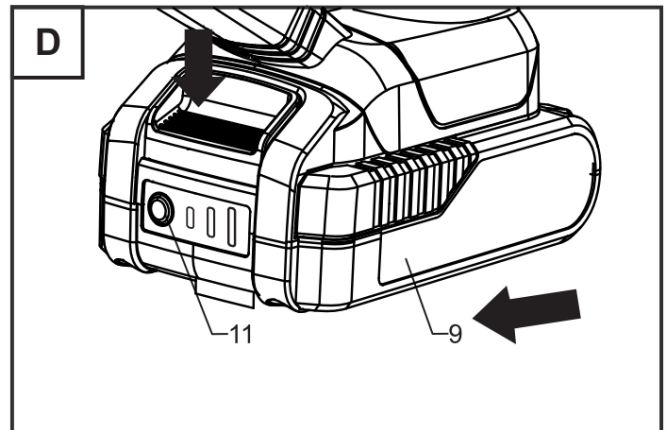
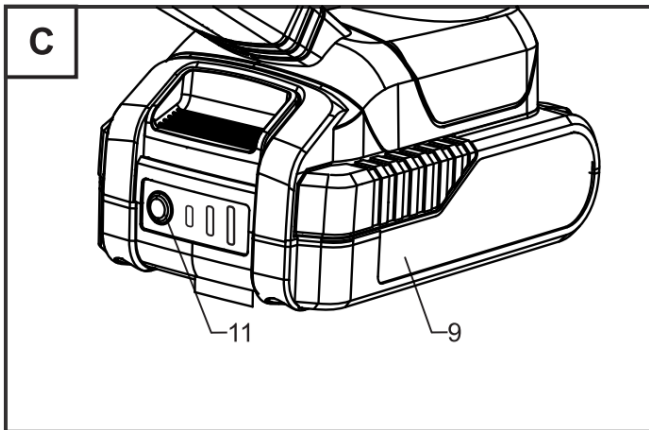
Charging the battery pack

CAUTION Always pull out the plug of the charger before removing or connecting the battery pack 9 to the charger.

- Never charge the battery pack 9 when the ambient temperature is below 50 °F (10 °C) or above 104 °F (40 °C).
- Connect the battery pack 9 to the fast charger 14 (see Fig. B).
- The green LED flashes briefly and then expires
- when the battery is empty. The red LED glows permanently while loading.
- During charging operations, only red charge status LED 15 glows up.
- The green charge status LED 16 lights up while red charge status LED 15 turns off that the charging process is completed

- Red LED flashes: The battery pack is defective
- Green LED flashes: The battery pack is too cold or too hot.

Attaching/disconnecting the battery pack



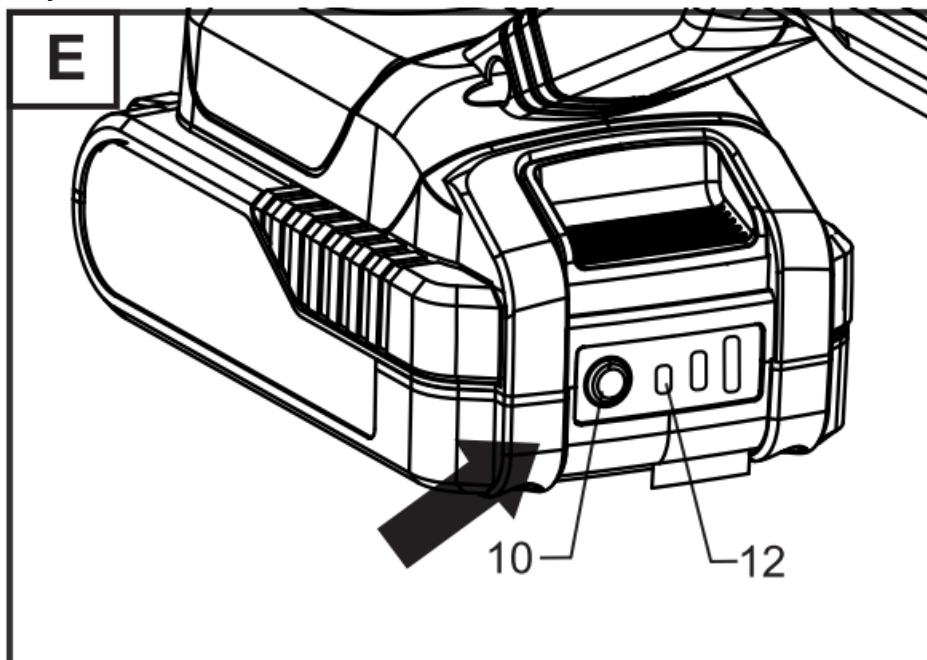
• Inserting the battery pack:

1. Push and allow the battery pack into the tool's connection slots completely and click to it. (see Fig. C).

• Removing the battery pack:

1. Press the release button 11 downward and pull the battery pack 9 from the tool (see Fig. D).

Checking the battery level



- Press the battery level button 10 to check the charge level of the battery pack (see Fig. E). The status / remaining charge will be shown on the battery level indication lights 12.
- 3 blue lights glow= maximum charge level
- 2 blue lights glow= medium charge level
- 1 blue light glow= low charge level

Changing the blade

Always wear protective gloves when handling the saw blade in order to avoid cutting yourself.

CAUTION

- Battery pack 9 must be removed from the tool prior to changing the blade 17.
- Do not use any blunt, bent or damaged blade
- Always install a suitable saw blade for the job.

1. Turn chuck ring 3 in an anti-clockwise direction
2. Insert saw blade 17 into saw blade retainer 2 as per direction a. Release chuck ring 3 and let it turn back to original position
3. Pull the blade 17 in direction b to check it is installed properly.

Removing the saw blade:

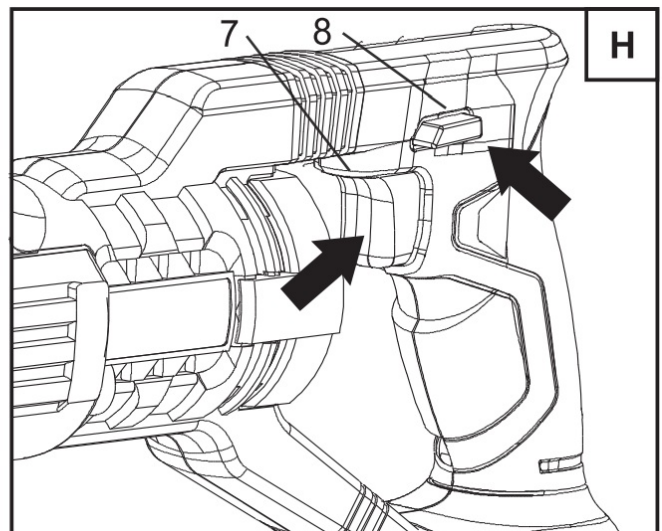
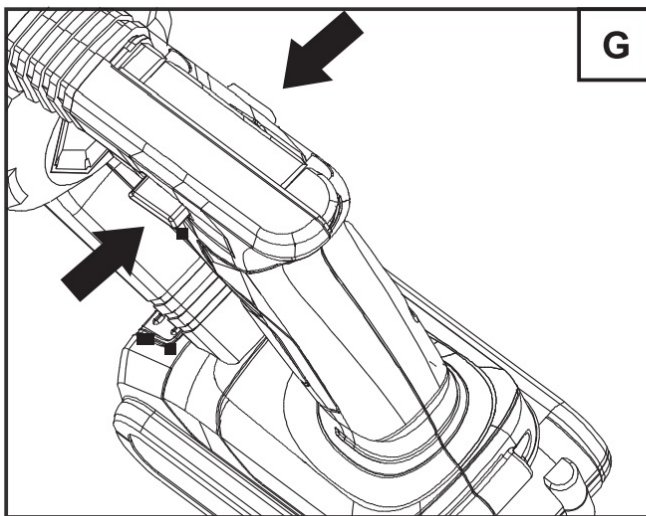
1. Turn chuck ring 3 in an anti-clockwise direction
2. Pull the blade 17 from saw blade retainer 2 as per direction b.
3. Release chuck ring 3, it will turn back to its original position

Operation

- When working with the device, always wear suitable clothing and appropriate protective equipment.
- Prior to each use it must be ensured that the device is working correctly. Personal protective equipment and a fully functional device reduce the risk of injuries and accidents.
- After the device has been switched off, the blade continues moving for some time. Do not touch the moving blade and do not attempt to break it. The danger of injury!

Switching on and off

Ensure your stance is stable and hold the tool's front handle 5 and rear handle 8 firmly with both hands. Before switching on the device, ensure it is not in contact with the workpiece.



• Switching on:

1. Ensure that battery pack 9 is inserted properly (see "Attaching/ Disconnecting the battery pack to/from the product").

2. Press switch lock 6 and on /off switch 7 (see Fig. H).

3. Then release switch lock 6 (see Fig. G). The switch lock 6 moves back into its original position.

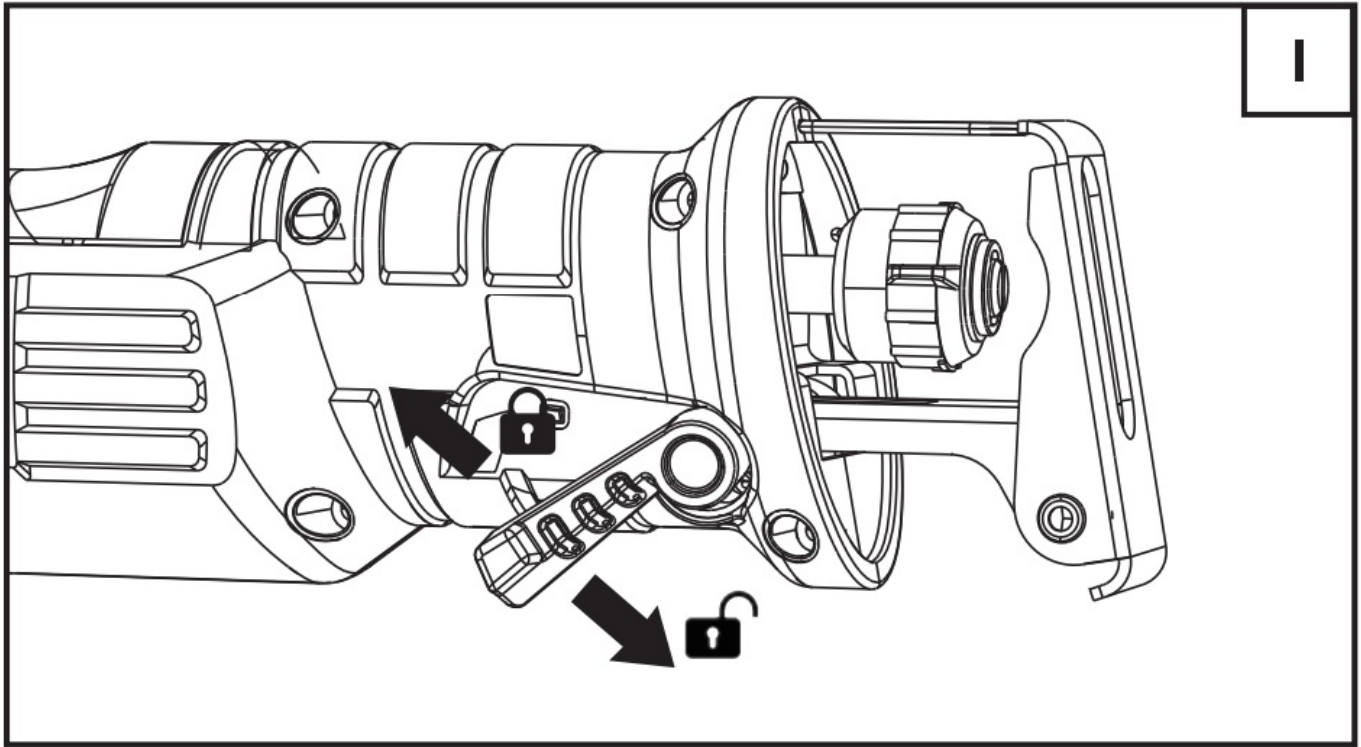
By using On /Off Switch 7, you can progressively control stroke rate.

Gentle pressure: low stroke rate Greater pressure: higher stroke rate On / Off switch 7 cannot be locked.

• **Switching off:**

1. Just release On / Off switch 7

Adjusting the base plate



In order to meet the needs of the piece the, the bottom plate can be adjusted and rotated in multiple positions.

1. Adjusting button 13(see Fig 1)unlocked state. The base plate 1 can now be adjusted to the desired position.
2. After base plate 1 is placed in desired position push up base plate adjustment button 13 back to original position (see Fig. J).

Practical tips

Wear gloves when handling the saw blade. In this way, you avoid injury from cuts.

CAUTION

Risk of injury and damage to property!

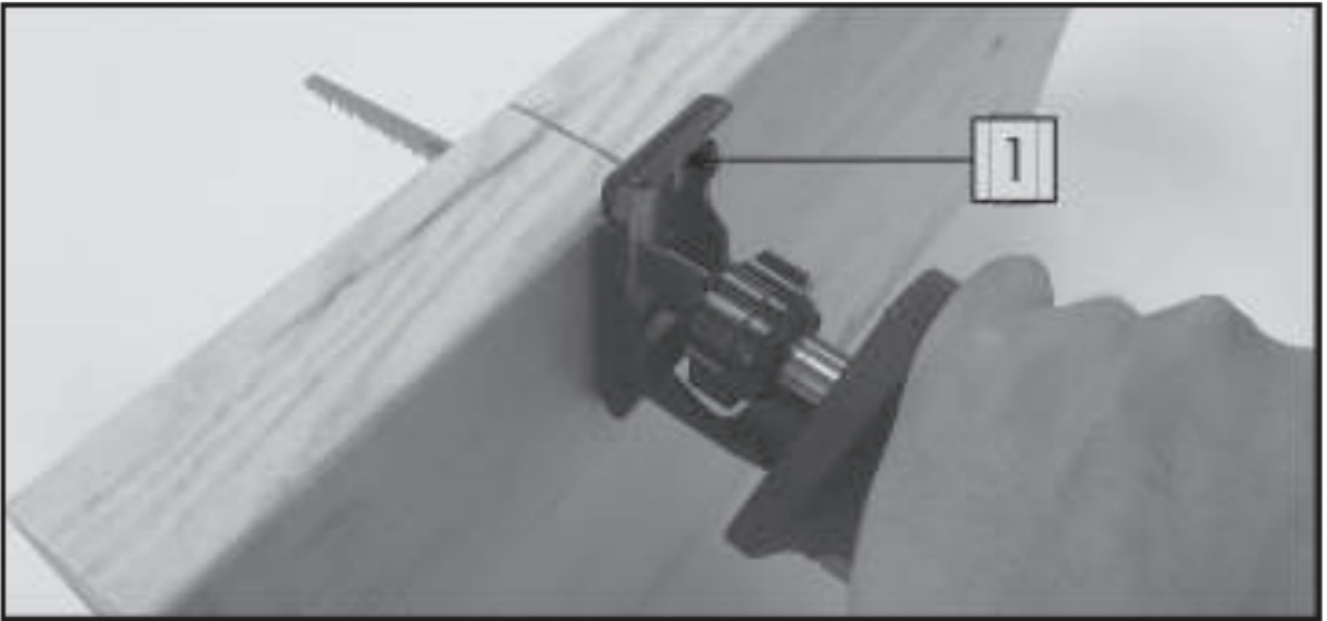
- Do not use any blunt or bent blades or blades which are damaged in any other way.
- Before sawing the workpiece, check for hidden foreign objects such as nails, screws. These must be removed.
- Always insert a suitable saw blade.
- Secure the workpiece with the aid of clamping devices on the workbench.
- Apply only as much pressure as is required for sawing. If there is excessive pressure, the sawing blade may bend and break.
- Switch the device off immediately if the sawing blade jams. Spread the saw cut out and pull the blade out

carefully.

- Always stand to the side of the saw when working.
- Always make sure that the workplace is well-ventilated.
- Avoid over-stressing the device while working.

Regular cuts

- Verify the tool is not touching the workpiece. Then switch on.
- Apply the shoe 1 to the workpiece. Use even pressure, advancing at a steady pace when making your cut. You can make horizontal, diagonal, or vertical cuts.



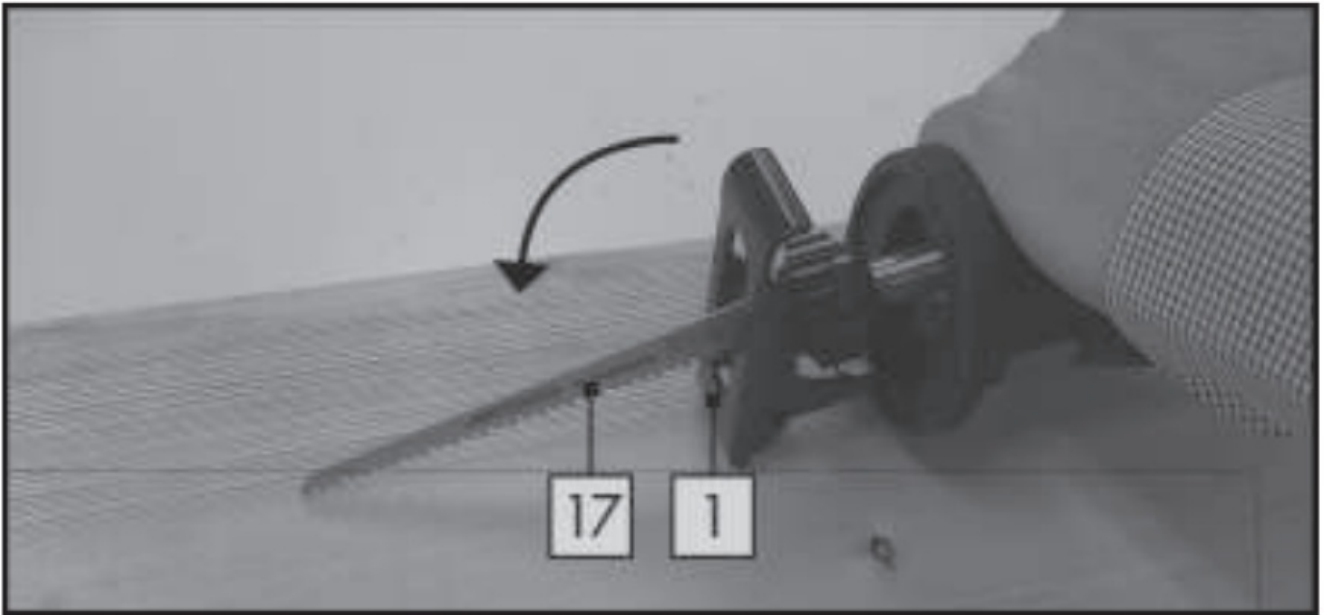
- When you are finished, first pull the saw blade out of the workpiece before switching off the power tool.

Plunge cuts

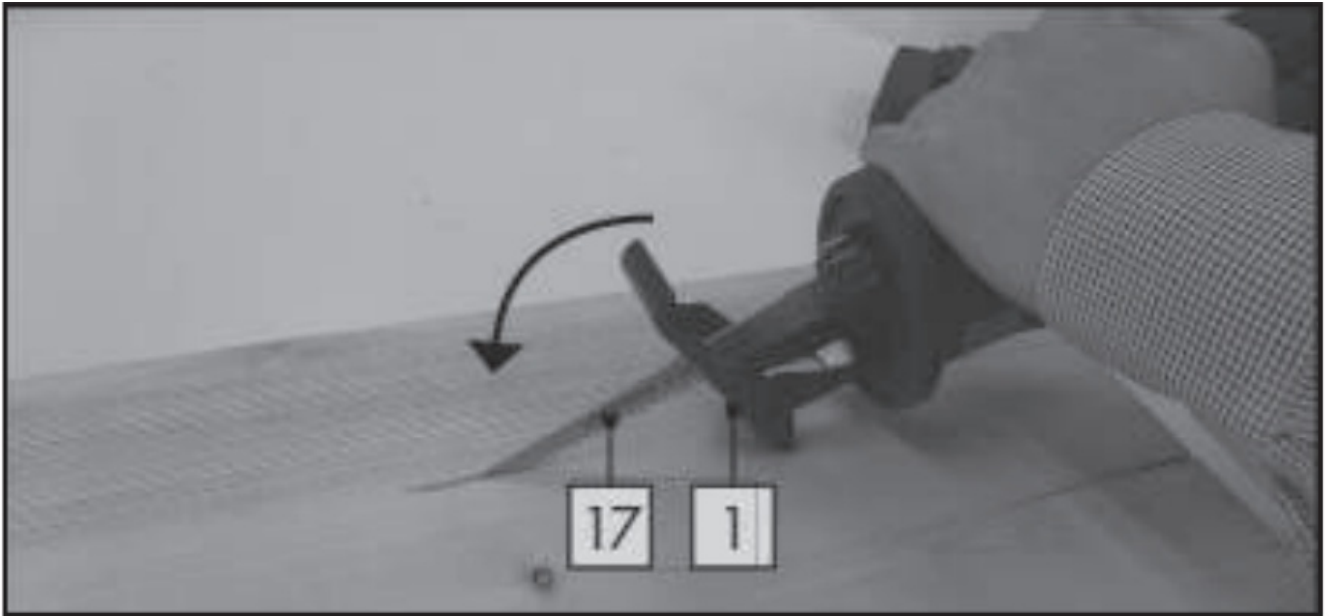
Plunge cuts are very challenging and are associated with a higher risk of injuries. Only use this technique if you are familiar with it.

Plunge cuts may only be carried out in soft materials such as wood or plasterboard and with short blades (max. length 6 in/ 150 mm). There is a risk of kickback and personal injury.

1. Place the front edge of the base plate 1 on the workpiece so that the saw blade 17 does not touch the workpiece.



2. Turn the device on and let the saw blade 17 slowly plunge into the workpiece.
3. When the workpiece depth has been cut through, continue sawing as usual.



Flush cuts:

With elastic bi-metal saw blades you can separate water pipes, for example, flush to the wall.



- Make sure that the blade is always longer than the pipe diameter. There is a risk of kickback and personal injury.

Troubleshooting

| Problem | Possible Cause | Possible Solution |
|-------------------------------|---|--|
| Unit will not start | Battery pack not installed properly | Check battery pack installation. |
| | Battery pack not charged. | Check battery pack charging requirements. |
| Battery pack will not charge. | Battery pack not inserted into charger. | Insert battery pack into charger until LED appears |
| | Charger not plugged in | Plug charger into a working outlet. Refer notes "for more details. |
| | Surrounding air temperature too hot or too cold | Move charger and battery to a surrounding air temperature of above 40 degrees F(4.5°C) or below 105 degrees F(+40.5°C) |
| Unit shuts off abruptly | Battery pack has reached its maximum thermal limit. | Allow battery pack to cool down |
| Unit shuts off abruptly | Out of charge. (To maximize the life of the battery pack, it is designed to shutoff abruptly when the charger is depleted | Place on charger and allow to charge |

Protecting the environment



— Separate collection. This product must not be disposed of with normal household waste. Should you find one day that your HYCHIKA product needs replacement, or if it is of no further use to you, do not dispose of it with household waste. Make this product available for separate collection.



Separate collection of used products and packaging allows materials to be recycled and used again. Reuse of recycled materials helps prevent environmental pollution and reduces the demand for raw materials. Local regulations may provide for separate collection of electrical products from the household, at municipal waste sites or by the retailer when you purchase a new product.

Batteries

There are no user-serviceable parts inside. At the end of your product's life return the whole unit to your service agent or to a local recycling station to have the battery recycled. Do not throw the unit out with household waste.

EC DECLARATION OF CONFORMITY

Object of the declaration:

| | |
|---------------------------------|--|
| Product | Classic Reciprocating Saw |
| Mode/ type | ML-RS18-180 |
| Serial nos. | 23/02 |
| Manufacture Address | Zhejiang minglei Tool Industrial Co., Ltd. No.188 Yindong North Road, Yinzhou District, Ningbo, 315100, Zhejiang,China |
| European Representative Address | EUREP GmbH. Unterlettenweg 1a 85051 Ingolstadt Germany. |

This declaration is issued under the sole responsibility of the manufacturer
The object of the declaration described above is in conformity with the relevant Union harmonisation legislation :

| | |
|-------------------|--|
| 2006/42/EC | The Machinery Directive |
| 2014/30/EU | The Electromagnetic Compatibility Directive |
| 2011/65/EU | The Restriction of Hazardous Substances Directive |

Conformity is shown by compliance with the applicable requirements of the following documents:

EN 62841-1:2015 EN 62841-2-11:2016
EN 55014-1:2017 EN 55014-2:2015
EN 50581:2012

Signed for and on behalf of:

Date of issue: 4th Aug 2021

Name: Spencer Tang

Position: QA Director

Signature: 

The technical documentation for the machinery is available from above address.

Manufacturer: Zhejiang minglei Tool industrial Co., Ltd.

ADD: No.188 Yindong North Road, Yinzhou District, Ningbo, 315100, Zhejiang, China

After-sales email: support@HYCHIKA.com

European Representative:

EUREP GmbH.

Unterlettenweg 1a 85051 Ingolstadt Germany

Tel: +49 841 8869 7744

E-mail: eurep@eurep-gmbh.com

Documents / Resources



[HYCHIKA ML-RS18-180 Cordless Reciprocating Saw](#) [pdf] Instruction Manual ML-RS18-180 Cordless Reciprocating Saw, ML-RS18-180, Cordless Reciprocating Saw, Reciprocating Saw, Saw

References

- [User Manual](#)

Manuals+, [Privacy Policy](#)

This website is an independent publication and is neither affiliated with nor endorsed by any of the trademark owners. The "Bluetooth®" word mark and logos are registered trademarks owned by Bluetooth SIG, Inc. The "Wi-Fi®" word mark and logos are registered trademarks owned by the Wi-Fi Alliance. Any use of these marks on this website does not imply any affiliation with or endorsement.