



## HOZELOCK Pure BoiMix Solution Composting Tank User Manual

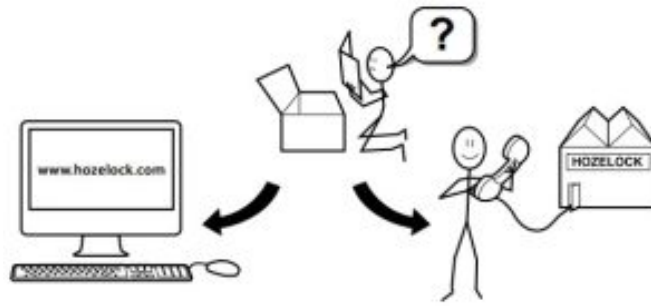
[Home](#) » [HOZELOCK](#) » HOZELOCK Pure BoiMix Solution Composting Tank User Manual 



2028  
BioMix



Year guarantee Ans de garantie Jahre garantie Jaar garantie Aims de garantia Xpovta Eynnrian



## Contents

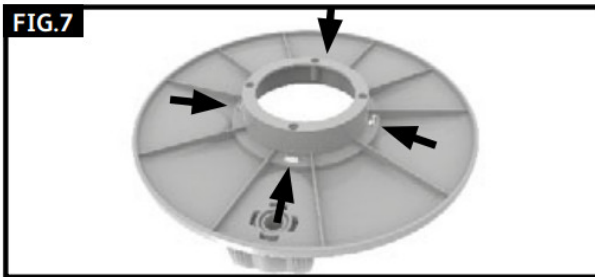
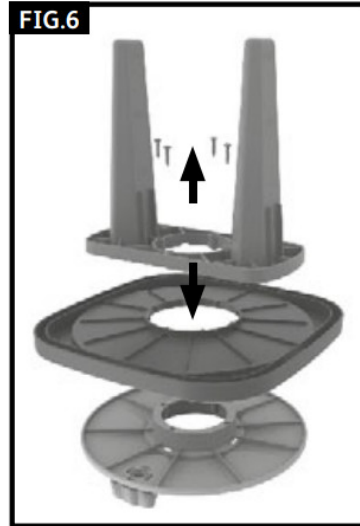
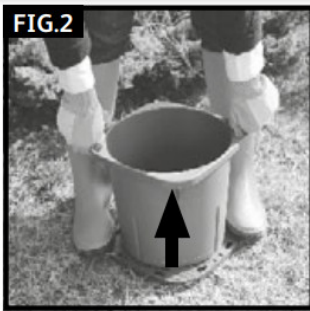
- 1 CONTENTS
- 2 General Information
- 3 Instructions for using the BioMix
- 4 Technical Data
- 5 Routine Maintenance (once a year)
- 6 Guarantee
- 7 Documents / Resources
- 8 Related Posts

## CONTENTS



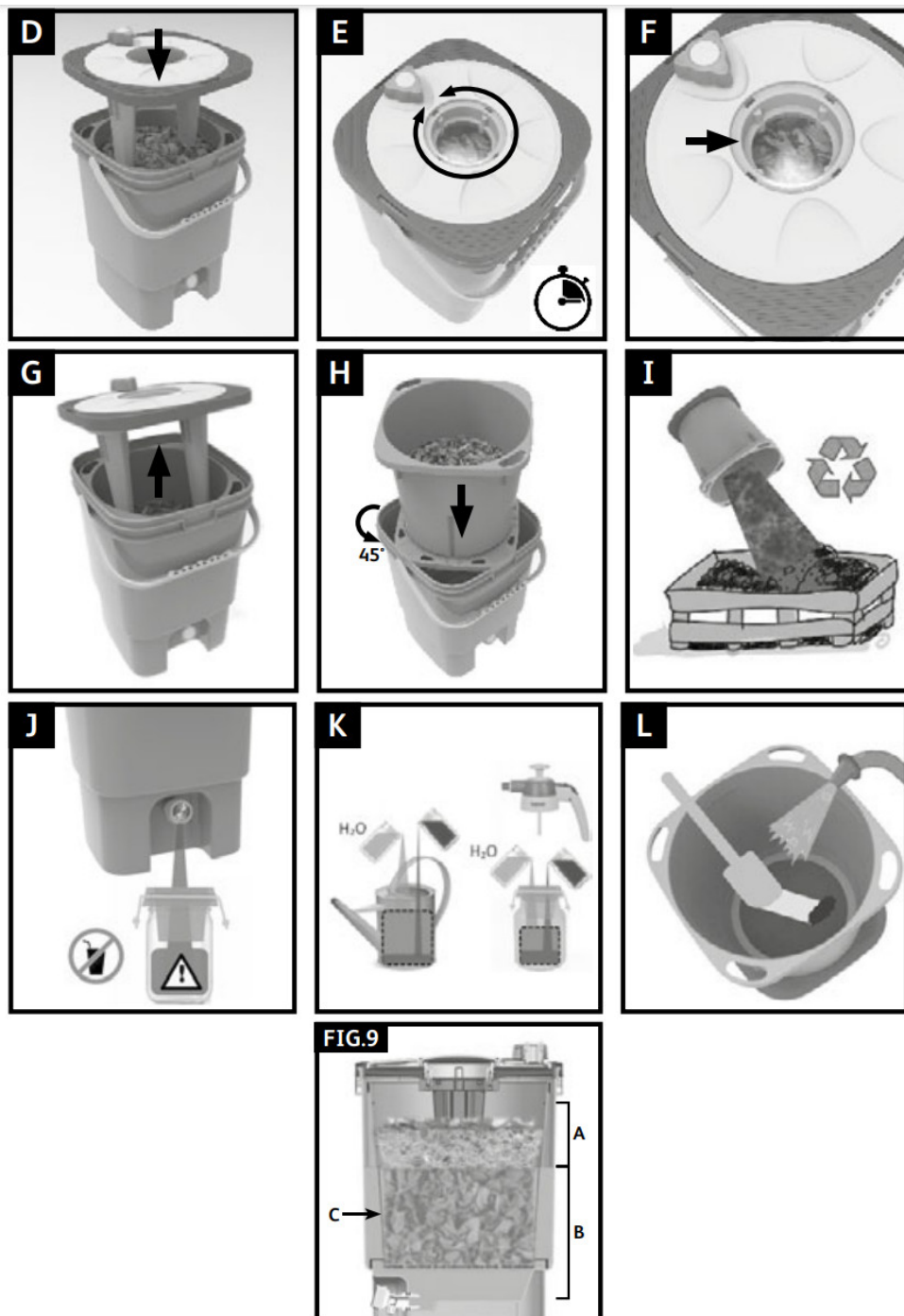
- A. Tap
- B. Main Vessel
- C. Carry Handle
- D. Lid Assembly
- E. Stirring knob
- F. Stirring Fingers
- G. \*Solids Bucket
- H. \*Filter Frame
- J. \*Filter Mesh
- K. Viewing window
- L. Filter Bag

**\*Note:** Items G, H, and J are preassembled ready for use.



**OPERATION**





## General Information

- Please follow the instructions carefully to get the best results from your Biomix plant fertilizer maker.
- Use protective clothing to prevent unwanted staining.
- Do not allow Children and Pets to go near the Biomix.
- This product is designed for outdoor use only!
- An outdoor location in your garden between 12°C and 25°C will perform best.
- Protect your Biomix from heavy rainfall.
- This product is not for supplying food or liquids for human consumption.
- Plastic tap nuts are suitable for hand tightening only
  - Avoid using a spanner because it could damage parts.
- This product can utilize water from an outdoor water butt or tank.



This product is not designed to be used at freezing (frost) temperatures. During the winter drain all water from your Biomix and store it indoors in your garage or shed until the next Spring Season.

**To remove the Solids Bucket from the Filter Frame:** Stand on the filter frame and pull the empty bucket upwards (See Fig 2).

### Before first use

Ensure that the tap (Fig 1.A) has been fitted securely onto the main vessel (Fig 1.B). Remove the solids bucket and filter (Fig1. G+H+J) from the main vessel and fill the vessel with 10 litres of water. Allow water to stand for 10 minutes and check that no water has leaked from the tap. If some water has escaped remove the water and check the nut is securely tightened on the inside. The nut needs to be tight enough so that the knob can be opened and closed and the tap body remains secure.

If the nut is secure but continues to leak, remove the tap and check the seals and the area around the hole is not damaged. Remove any debris from the seal surfaces then reassemble the tap.

## Instructions for using the BioMix

### FIG.8

**8A** Note items Fig1.G+H+J are preassembled ready for first use. To assemble these items place the filter mesh (Fig1.J) into the Filter Frame (Fig1.H) then fit the Solids Bucket (Fig1.G) onto the filter frame. The four snap legs align with the four slots on the base of the Solids Bucket (Fig1.G).

**8B** Fill the Solids Bucket with 1 Kg your chosen plant material. Refer to the recipes for best results. Cut it into 5cm (2 inch) pieces, or smaller. For dried pellets refer to the recipe for weights. Use gloves when handling plant material because some plants may sting or urticate. Make sure that no plant material falls into the main vessel (Fig1.B).

**8C** Put the Solids Bucket assembly (Fig1.G+H+J) inside the Main Vessel (Fig1.B). Add 10 Litres of rainwater (Use the top of the four internal ribs as a level guide). Pull the leaves back to check the water level (Fig 4). Rainwater from a water butt is best. If using tap water leave it outside for 24 hours to allow the added fluoride/chlorine to disperse

**8D** Add the lid assembly (Fig1.D). Move the fingers back and forth as you push the fingers down will help to push through.

**8E** Leave the mixture for 48 hours before turning the mixing handle for the first time. This allows the leaves and stems to soften in the water. Give the mixture a stir every day, or two days. Refer to the recipes for the durations.

**8F** Use the viewing window to check the mixture. For some recipes you know when the maceration is complete and the plant fertiliser is ready when bubbles stop rising to the surface. Condensation may appear on the inside surface of the window when the temperature is warmer inside the Biomix. Tapping on the window or rotating the handle quickly can help to remove the droplets. If the droplets cannot be removed then lift off the lid and wipe away the droplets with a tissue. Direct sunlight on the Biomix lid and airflow over it will help reduce condensation.

**8G** Lift off the lid assembly slowly so that the liquid can run off the fingers back into the bucket.

**8H** When ready slowly lift the Solids Bucket assembly (Fig1. G+H+J) turn it 45 degrees, and place it on top of the main vessel to filter. Plant materials will break down into small particles and slime. The filtering process can take between 15minutes and 2 hours depending on the plant material used. To speed it up use a long, soft spatula to carefully scrape the filter material to reveal a clean area that will allow the draining process to continue.

**8I** When draining is complete the remaining solids in the Solids Bucket can be discarded onto your compost heap. Used plants can help to speed up the decomposition process in your compost heap!

**8J** Empty the liquid from the main vessel into a glass jar or plastic bottle that has a lid that can seal tight. Do not use metal containers to store your plant fertilizer. Store it away from children and pets. If you intend to store it for a long time filter the liquid through the filter bag supplied to remove any plant leaves and store it in a dark, dry location.

**8K** For sprayers and other applicators with fine holes it is important to use the fine filter bag (Fig1L). After use the filter bag can be washed clean before using it again. Dilute the plant fertilizer in the ratio stated in the recipe lists.

**8L** Scrape off the sediment inside the bottom of the Solids Bucket. Use a soft spatula being careful not to damage the filter mesh (Fig1.J) and wash with water. You can remove the filter mesh from the filter frame and rinse it under a tap.

## Technical Data

Liquid Volume = 10 Litres to top of ribs. This will vary depending on the density of the plant material placed inside the Solid bucket.

Fig. 9. This area allows room for foaming (frothing) as the plant fertilizer is brewing.

Fig. 9. B 10 Litres of water is approximately the height of the internal ribs. (Fig. 9C). Height may vary depending on the plant material being used.

## Routine Maintenance (once a year)

Once a year check the tap to ensure there is no blockage inside. The viewing window can also get dirty and can be cleaned.

### Unblocking the Tap

See Fig 3 and Fig 5. The nut on the inside of the vessel should not be overtightened. If you cannot manually undo the nut use a 22mm spanner. Remove the black washer seal and slide the tap away from the vessel.

Fully open the tap. Look into the end of the tap and into the spout and remove any debris. Clean both washer seals and also the area around the hole in the vessel (inside and outside). Reassemble the seals correctly. Tighten the nut firmly and avoid damaging the plastic parts.

### Cleaning the Viewing window

See Fig 6. Undo the four screws using a Pozi drive screwdriver. The clear window is retained by four clips (See Fig 7). Carefully push the clips inwards towards the center whilst pushing the window out. The window will come out so that it can now be cleaned. Use a mild detergent with a soft cloth to avoid scratching. Rinse and dry before assembling.

## Tips for best results

- Position the Biomix carefully in your garden. For best results, the temperature should be 12°C to 25°C. Some direct sunlight in a ventilated position will help reduce window condensation.
- Put your Biomix undercover if you are expecting heavy rain.
- Avoid using the seeds and roots of plants such as nettles into your compost heap after making your plant fertilizer. They can later get passed around your garden and grow in unwanted places!
- Chop up leaves, stems, and roots into small pieces
  - smaller the better to help speed up the process.
- Having two or more Biomix starting at different times will ensure you have plenty of plant fertilizer throughout the growing season!
- Remember to dilute the rich solution when using it.
- If you filter the plant fertilizer well using the filter bag supplied it can last up to 6 months.

## Guarantee

Hozelock-Exel guarantees this product against any defect arising from faulty materials or workmanship for a period of 2 years from the date of purchase, provided that it has only been used in accordance with these instructions. The guarantee is limited to the repair or replacement of any defective or faulty item. Proof of purchase must be retained.

## Contact Details

If you have any further problems with your Biomix please contact Hozelock customer services.

**HOZELOCK LTD**

Midpoint Park, Birmingham, B76 1AB, England [www.hozelock.com](http://www.hozelock.com)

# HOZELOCK

**Hozelock Ltd.**

Midpoint Park, Birmingham, B76 1AB. England

Tel: +44 (0) 121 313 1122

HOZELOCK-EXEL

891 route des Frênes – ZI Nord Arnas


BP 30424 69653 – Villefranche Cedex

Tel : +33 (0)4.74.62.48.48

[www.hozelock.com](http://www.hozelock.com)

REF 585 311

## Documents / Resources

	<p><a href="#">HOZELOCK Pure BoiMix Solution Composting Tank</a> [pdf] User Manual Pure BoiMix Solution Composting Tank</p>
---	---

[Manuals+](#)