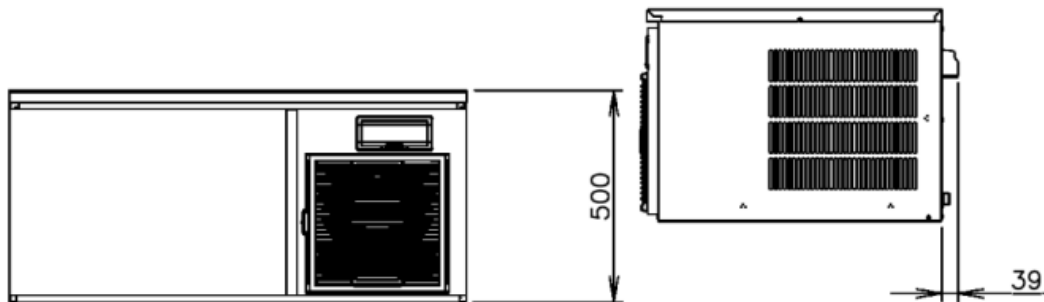
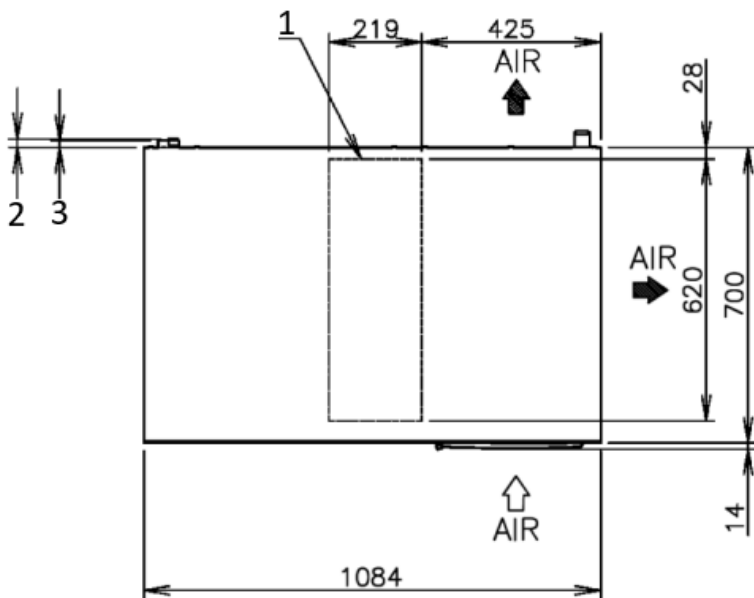
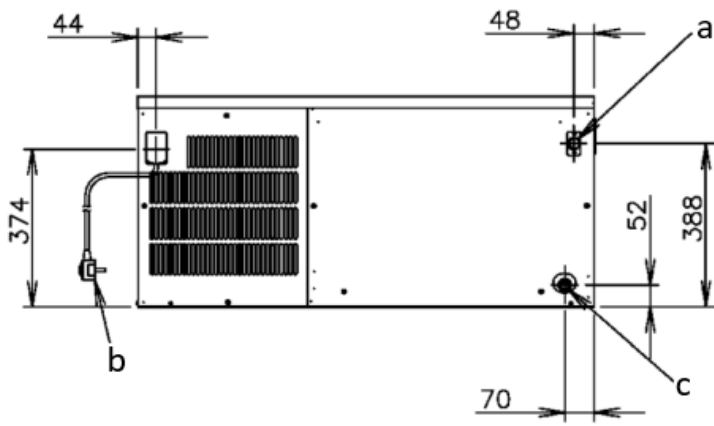




HOSHIZAKI IM-240DPE-23 Cuber, Modular and Stackable User Manual

July 18,
2025





HOSHIZAKI



HOSHIZAKI

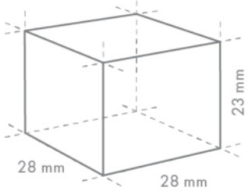
IM-240DPE-23

Cuber, Modular & Stackable

Production Capacity (kg/24h) approx. (AT 10°C, WT 10°C): 180



ICE TYPE: Medium cubes – 23



Cube Size: **M-23**

Weight: 17 g

ACCESSORIES INCLUDED

Scoop, installation kit, brace

OPTIONAL ACCESSORIES

4HC-H water filtration, UV-C sanitization kit, compatibility kit for stacking combinations including new and previous N series ice makers.

CORRESPONDING WATER FILTERS

4HC-H Twin Water Filter, 4HC Replacement Cartridge

CORRESPONDING BIN(S)

B-340SA

CORRESPONDING TOP KITS

TK-48 for B-340SA (optional, not required), TK-IMD2 for B-340SA

PRODUCT SERIES: IM CUBE

ITEM NUMBER: M120-D002

COUNTRY OF ORIGIN: UK

Hoshizaki IM-240DPE-23 Cube model is a modular and stackable ice maker producing up to 180 kg of cube ice per 24 hours. This model is compatible with Hoshizaki storage bins.

Ice cube dimensions and weight – disclaimer: The drawing is for illustration purposes

only. Cube size and weight may differ due to local installation conditions.

- Ice making system with an automatic rinse cycle.
- Each ice cycle is made with fresh water.
- Closed water circuit for contamination protection.
- Closed Cell System helps produce compact, hard and geometrically perfect ice.
- Easy external access to control panel.
- System comes with a magnetic DC water pump with variable speed and that has no direct coupling, which prevents any leakage.
- UV-C sanitization function is retrofittable.
- Cleanable air filter.
- Stainless steel frame inside.
- Easily removable water pan assembly.
- A maximum of 3 units are stackable: 1 x DPE + 2 x XPE

WARRANTY PERIOD

3 Years on Parts & Labour based on country agreement

EXTERIOR

Stainless steel AISI 430, Galvanized steel (Rear)

Refrigerant: R290 / Refrigerant (kg): 0.147 / CO2 equivalent (kg): 0.441

OPERATING CONDITIONS

Ambient Temp.: 1-40°C, Water Supply Temp.: 5-35°C, Water Supply Pressure: 0.07-0.8MPa (0.7-8bar), Voltage Range: Rated Voltage \pm 6%

CERTIFICATIONS

Friday, 17 January 2025, 17:37

Hoshizaki Europe B.V. Burgemeester Stramanweg 101 1101 AA Amsterdam The Netherlands

HEBV Amsterdam office T. +31 (0)20 691 8499 Export line direct T. +31 (0)20 565 0429
sales.ex@hoshizaki-europe.com service.ex@hoshizaki-europe.com www.hoshizaki-

europe.com

IM-240DPE-23

TECHNICAL SPECIFICATIONS

Cooling System

Production Capacity Production Capacity Production Capacity (kg/24h) approx. (kg/24h)
approx. (kg/24h) approx. (AT 10°C, WT 10°C) (AT 21°C WT 15°C) (AT 32°C WT 21°C)

Power Supply

Electrical Circuit

Electric

Water Consumption Heat Rejection (AT

Breaker Protection Consumption (kW) (m³/24h) approx. 32°C, WT 21°C)

(A)

(AT 10°C WT 10°C)

(kW)

Air Cooled

180

175

155

1/220 – 240V/50Hz

5

0.87

0.73

2.25

SHIPPING SPECIFICATIONS

Dimensions W x D x H (mm)

1084 x 700 x 500

Net Weight (kg) 75

Dimensions, Packed, W x D x H (mm)

1196 x 825 x 640

Gross Weight, Packed (kg) 87

Volume Packed (m³) 0.631

Disclaimer: Every effort has been made to ensure that the information contained in this spec sheet is accurate at the time of publishing. Hoshizaki Europe BV assumes no responsibility or liability for typographical errors or omissions or for any misinterpretation of the information within the publication and reserves the right to change without notice.

Powered by TCPDF (www.tcpdf.org)

Hoshizaki Belgium Hoshizaki Danmark Hoshizaki Deutschland Hoshizaki France
Hoshizaki Iberia Hoshizaki Italia Hoshizaki Middle East

info@hoshizaki.be info@hoshizaki.dk vertrieb@hoshizaki.de info@hoshizaki.fr
info@hoshizaki.es commerciale@hoshizaki.it sales.ex@hoshizaki-europe.com

Hoshizaki Netherlands info@hoshizaki.nl

Hoshizaki Norge

salg@hoshizaki.no

Hoshizaki Sverige

orderSE@hoshizaki.dk

Hoshizaki UK

uksales@hoshizaki.uk

Export countries

sales.ex@hoshizaki-europe.com

Other countries

sales.ex@hoshizaki-europe.com


www.hoshizaki-europe.com

Contents [[hide](#)]

[1 Documents / Resources](#)

[1.1 References](#)

Documents / Resources

	<p>HOSHIZAKI IM-240DPE-23 Cuber, Modular and Stackable [pdf] User Manual</p> <p>IM-240DPE-23, M120-D002, IM-240DPE-23 Cuber Modular and Stackable, IM-240DPE-23, Cuber Modular and Stackable, Stackable</p>
---	---

References

- [User Manual](#)

■ HOSHIZAKI

◆ Cuber Modular and Stackable, HOSHIZAKI, IM-240DPE-23, IM-240DPE-23 Cuber Modular and Stackable, M120-D002, Stackable

Leave a comment

Your email address will not be published. Required fields are marked *

Comment *

Name

Email

Website

Save my name, email, and website in this browser for the next time I comment.

Post Comment

Search:

e.g. whirlpool wrf535swhz

Search

[Manuals+](#) | [Upload](#) | [Deep Search](#) | [Privacy Policy](#) | [@manuals.plus](#) | [YouTube](#)

This website is an independent publication and is neither affiliated with nor endorsed by any of the trademark owners. The "Bluetooth®" word mark and logos are registered trademarks owned by Bluetooth SIG, Inc. The "Wi-Fi®" word mark and logos are registered trademarks owned by the Wi-Fi Alliance. Any use of these marks on this website does not imply any affiliation with or endorsement.