



Homedics SS-5500 SoundSpa Sunrise AM/FM Clock Radio Wake Gently to a Virtual Sunrise Instruction Manual and Warranty Information

[Home](#) » [Homedics](#) » [Homedics SS-5500 SoundSpa Sunrise AM/FM Clock Radio Wake Gently to a Virtual Sunrise Instruction Manual and Warranty Information](#) 

Homedics SS-5500 SoundSpa Sunrise AM/FM Clock Radio Wake Gently to a Virtual Sunrise Instruction Manual and Warranty Information



Contents

- [1 Create your perfect sleep environment.](#)
- [2 Read More About This Manual & Download PDF:](#)
- [3 Related Posts](#)

Create your perfect sleep environment.

Thank you for purchasing SoundSpa Sunrise. This, like the entire HoMedics product line, is built with high-quality craftsmanship to provide you years of dependable service.

We hope that you will find it to be the finest product of its kind.

SoundSpa Sunrise helps you wake gently and feel relaxed. Fall asleep to any of its six calming sounds, then wake to a virtual sunrise using your own lamp, nature sounds, radio or alarm. SoundSpa Sunrise can also mask distractions to improve your concentration while you read, work or study.

IMPORTANT SAFETY INSTRUCTIONS:

When using an electrical appliance, basic precautions should always be followed, including the following:
READ ALL INSTRUCTIONS BEFORE USING

DANGER – To reduce the risk of electric shock:

- Always unplug the appliance from the electrical outlet immediately after using and before cleaning.
- Do not reach for an appliance that has fallen into water. Unplug it immediately.
- Do not place or store appliance where it can fall or be pulled into a tub or sink. Do not place in or drop into water or other liquid.

WARNING – To reduce the risk of burns, fire, electric shock or injury to persons:

- Close supervision is necessary when this appliance is used by or near children, invalids or disabled persons.
- Use this appliance only for its intended use as described in this manual. Do not use attachments not recommended by HoMedics; specifically any attachments not provided with the unit.
- Never operate this appliance if it has a damaged cord, plug, cable or housing. If it is not working properly, if it has been dropped or damaged, return it to HoMedics Service Center for examination and repair.
- Keep cord away from heated surfaces.
- Never drop or insert any object into any opening.
- Do not operate where aerosol (spray) products are being used or where oxygen is being administered.
- Do not carry this appliance by power cord or use cord as handle.
- To disconnect, remove plug from outlet.
- This appliance is designed for indoor use only. Do not use outdoors.
- Only set on dry surfaces. Do not place on surface wet from water or cleaning solvents.

SAVE THESE INSTRUCTIONS

Caution – Please read all instructions carefully before operating.

- Never leave the appliance unattended, especially if children are present.
- Never cover the appliance when it is in operation.
- This unit should not be used by children without adult supervision.
- Always keep the cord away from high temperature and fire.
- Do not lift, carry, hang, or pull the product by the power cord.
- If the adaptor sustains damage, you must stop using this product immediately and contact the HoMedics Service Center. (See the warranty section for the HoMedics address.)

SoundSpa Clock Radio Features

- Dawn simulator using your own lamp
- 6 Nature Sounds: Rain Forest, Ocean, Thunder, Summer Night, Rain and Water Fall
- AM/FM radio with alarm and snooze
- Seven gentle-wake options – lamp only, lamp and nature sound, lamp and beep, lamp and radio, nature sound only, radio only, or beep only
- Easy-to-read clock with blue LED display
- Projection feature projects time on the ceiling in a soothing blue light
- Auto-timer lets you choose how long you listen – 15, 30, 45 or 60 minutes or continuously

- Volume control adjusts the volume of the radio, beep or nature sounds
- Wireless lamp brightness control

Assembly and Instructions for Use

1. Unpack the product and check to make sure everything is included (**Fig. 1**).

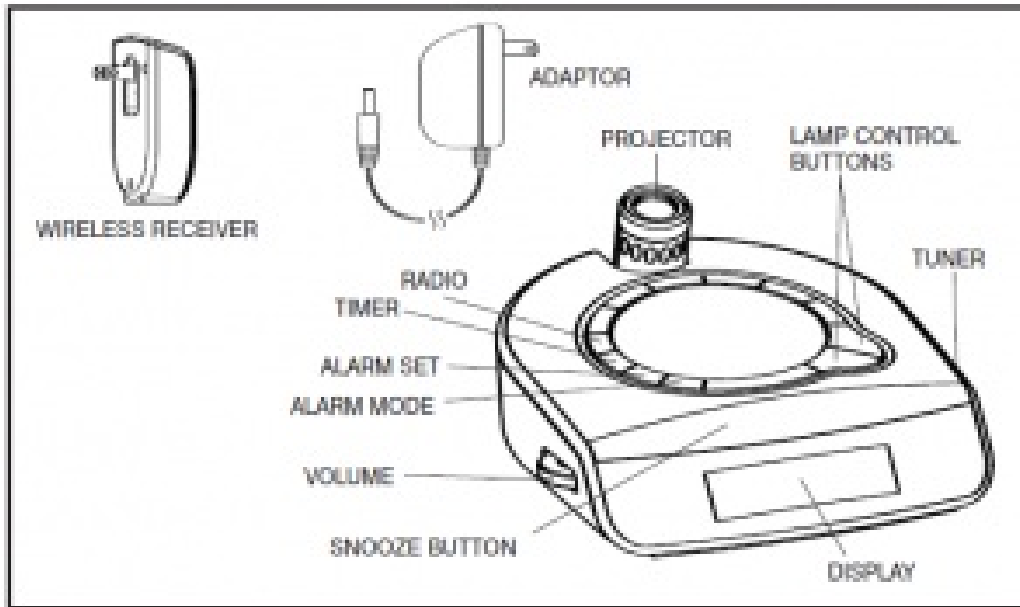


Figure 1

2. This unit is powered by a DC adaptor, which is included.
3. The battery power is designed only to provide MEMORY BACK-UP for the clock and alarm settings. One 9 Volt battery (not included) should be inserted into the battery compartment if memory back-up is desired (in the event of power outages or if the unit is unplugged). However, the time will not be illuminated on the clock display. As soon as the power supply returns, the display will indicate the correct time.
NOTE: Battery must be installed in order for clock memory back-up to operate. In the event of a power failure or disconnection, if the battery is not installed, the clock and alarm will need to be re-set when power is restored.
4. To install battery, remove compartment cover from the bottom of the unit. Insert one 9 Volt battery into the compartment following the diagram. Replace cover and snap into place.
5. Attach the DC adaptor connector to the jack located on the back of the unit (Fig. 4) and insert the adaptor into a 120V household outlet.
6. To use the dawn simulator and to control your lamp from your SoundSpa Sunrise, plug your lamp into the bottom of the wireless receiver (**Fig. 3**). Then plug the wireless receiver into a 120V household outlet.

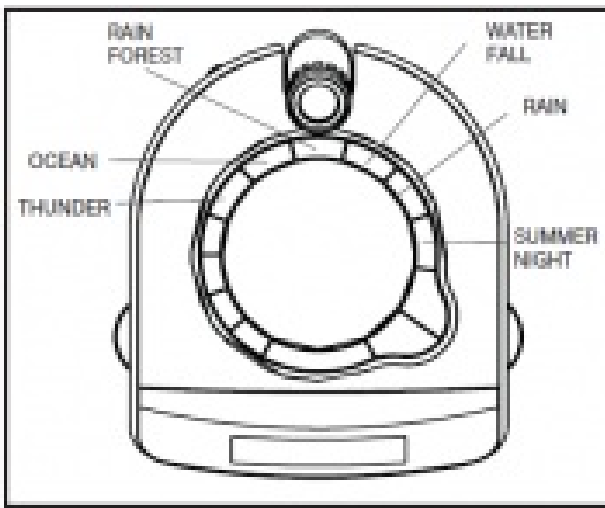


Figure 2

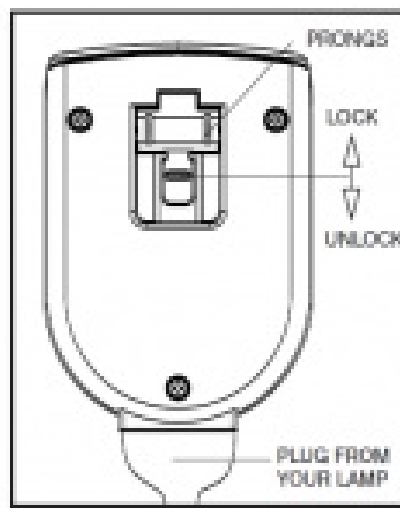


Figure 3

NOTE: To lock the wireless receiver prongs into place, push up on the locking device. To unlock, push down (Fig. 3).

NOTE: The SoundSpa Sunrise works with most lamps that use CFL or incandescent light bulbs. Consult lamp instructions for bulb specifications.

Setting the Clock

1. Your SoundSpa Sunrise clock is set to a 12 hour clock. If you would prefer a 24 hour clock, press the 12/24 button once (Fig. 4).

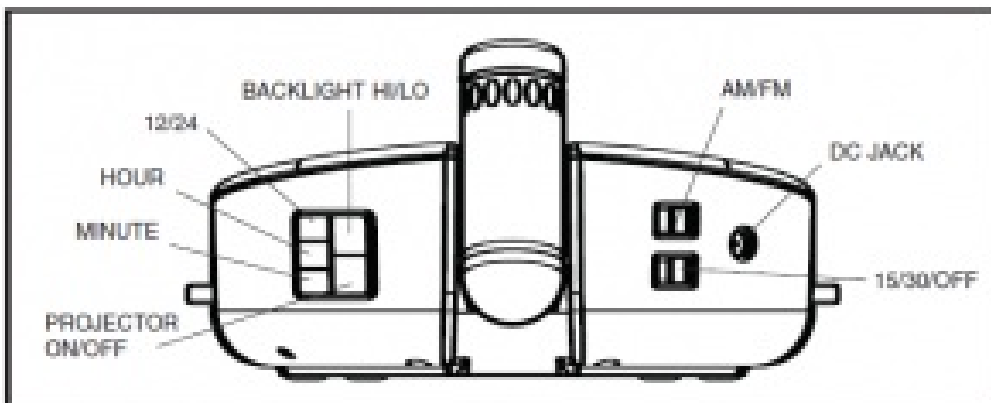


Figure 4

2. Press and hold the HOUR button for 2 seconds (Fig. 4). The time will begin to flash
3. While the time is flashing, press the HOUR button until you reach the correct hour. Then press the MINUTE button (Fig. 4) until you reach the correct minute.

NOTE: PM indicator will appear on the left side of the clock face for evening hours (Fig. 7). If the PM indicator is not illuminated, the hour is set to AM. Be sure to set the time for the correct 12-hour period – AM (morning) or PM (evening).

NOTE: After 5 seconds, the time will stop flashing and it will be set.

4. Press the BACKLIGHT HI/LO button (Fig. 4) to choose between high and low clock LED display brightness.

Listening to Nature Sounds

1. Select the sound you wish to listen to and press the corresponding button (Fig. 2).
2. To adjust the volume, turn the VOLUME knob (Fig. 1) to your desired level.

3. When finished listening to the sounds, you may turn them off by pressing the POWER button, or switch to the radio by pressing RADIO (Fig. 1).

NOTE: When the unit is turned on, it will always default to the last mode used.

Listening to the Radio

1. Press the RADIO button (Fig. 1).
2. Rotate the TUNER (Fig. 1) to select a radio station.
3. To adjust the volume, turn the VOLUME knob (Fig. 1) to your desired level.
4. When finished listening to the radio, you may turn it off by pressing the POWER button, or switch to a nature sound by pressing the corresponding button (Fig. 1 and 2).

NOTE: To change between bands, there is an AM/FM switch located on the back of the unit (Fig. 4). When FM band is selected, a FM Indicator will appear on the left side of the clock face (Fig. 7). If the FM indicator is not illuminated, the band is set to AM.

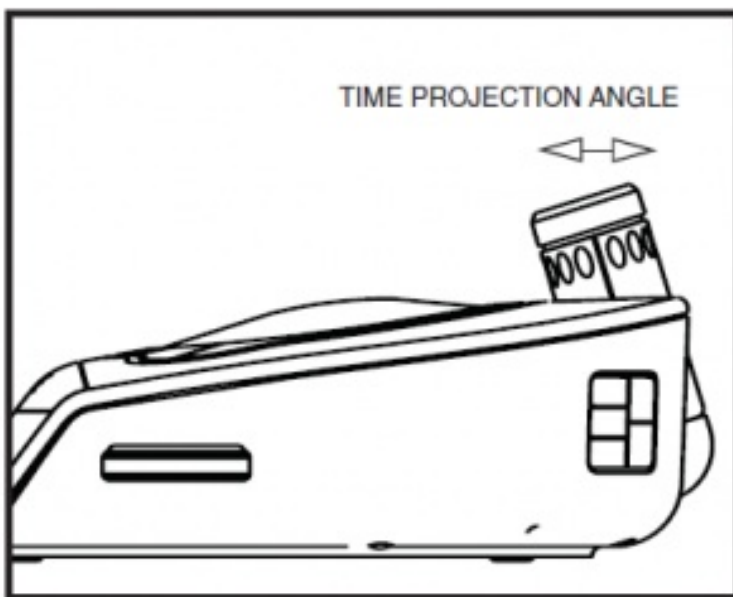


Figure 5

Using the Lamp

1. To turn the lamp on, press the lightbulb once (Fig. 1).
2. To increase the brightness of the lamp, press and hold lightbulb until desired level is reached.
3. To turn the lamp off, press the lightbulb once (Fig. 1).
4. To dim the lamp, press and hold lightbulb until desired level is reached.
5. You may also turn the lamp off by pressing the POWER button once. Pressing the POWER button again will turn the lamp on (Fig. 1).

NOTE: If radio is on it will mute during lamp adjustment resuming when adjustment is complete.

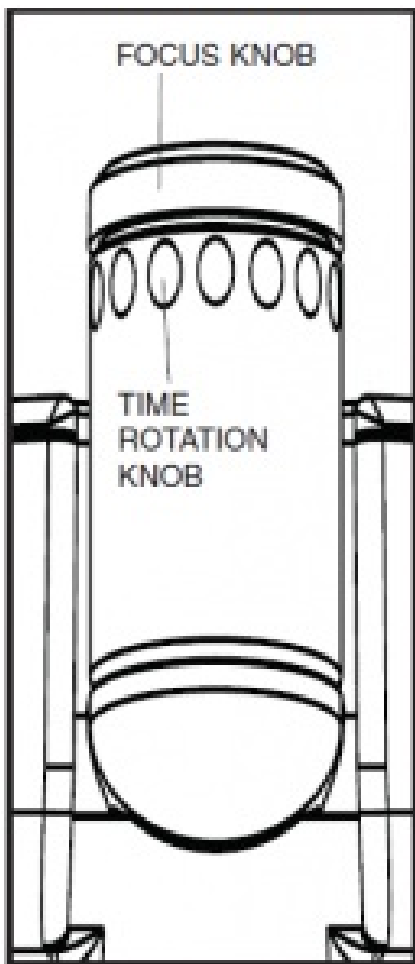


Figure 6

Using the Auto-Timer

When the power is ON and you are listening to a nature sound, the radio, or have your lamp illuminated through the SoundSpa Sunrise wireless receiver, you may set an auto off timer so the sound and/or light will automatically fade to off in the last 5 minutes of the chosen time.

1. Toggle through the TIMER button (Fig. 1) to find the time of your choice 15, 30, 45 or 60 minutes shows on the clock face. The TIMER indicator will appear on the left side of the clock face to confirm that it is set (**Fig. 7**).
2. The time remaining on the auto-timer can be terminated at any time by pressing the POWER button to turn off the nature sound, radio or lamp

Setting and Using the Alarm

For more information see Fig. 8.

1. Press the AL SET button (Fig. 1) and the time will flash.
2. While the time is flashing, press the HOUR button until you reach the correct hour. Then press the MINUTE button until you reach the correct minute.
NOTE: When digits are flashing, press and hold the HOUR or MINUTE button continuously for a fast advance.
NOTE: The PM function applies to the alarm. If the PM indicator is not displayed on the clock face, the alarm will be set to AM. (Fig. 7).
3. Press AL SET button to set the time, or after 5 seconds the alarm will be set automatically (Fig. 1).
4. To activate the alarm you may choose one of 7 settings. To confirm your setting, the appropriate alarm indicators will be illuminated on the clock face to the right of the time (Fig. 2).

- a.) LAMP-push the AL MODE button once (Fig. 2). To set the Sunrise mode, adjust the 15/30/OFF switch (Fig. 4) to set lamp to brighten gradually in 15 or 30 minutes or in the OFF position to set lamp to turn on to full brightness at the set alarm time.
 - b.) NATURE SOUND-push the AL MODE button twice. The nature sound will be the last sound you listened to. To change the nature sound press the nature sound button you wish and then press POWER button (Fig. 2)
 - c.) RADIO-push the AL MODE button 3 times. Use the tuner to adjust the radio to your desired station (Fig. 2).
 - d.) BEEP-press the AL MODE button 4 times (Fig. 2).
 - e.) LAMP & NATURE SOUND-press the AL MODE button 5 times (Fig. 2).
 - f.) LAMP & RADIO-press the AL MODE button 6 times (Fig. 2).
 - g.) LAMP & BEEP-press the AL MODE button 7 times (Fig. 2).
5. When the alarm sounds, the corresponding alarm indicator (Lamp, Sound, Radio, Beep or combination of these) blinks. You may take the following actions:
- a.) SNOOZE-press the SNOOZE button (Fig. 1). The SoundSpa Sunrise wake feature will be activated in 9 minutes. See Fig. 8 for options. You may use this feature until you turn the alarm off.
 - b.) RESET-turn the alarm off by pressing ANY button but the SNOOZE button (Fig. 1). The alarm clock will automatically reset for the next day in its current mode. The corresponding ALARM indicator (Lamp, Sound, Radio, Beep or combination of these) will indicate this. If you wish to change the wake mode, follow step 4 under Setting and Using the Alarm.
 - c.) OFF-to completely turn off the alarm continue to press the AL MODE button until all the of the alarm indicators
(lamp, sound, radio, beep) are off (Fig. 1).
- NOTE:** If alarm sounds for 30 minutes continuously it will automatically turn off and reset for the next day.

Using the Projection Feature

1. To turn the projection feature on or off, press the PROJECTOR ON/OFF button once (Fig. 4). The time is now projected on the ceiling. To turn projection off press PROJECTOR ON/OFF again.
NOTE: If the projection feature is off you may press the SNOOZE button (Fig. 1) to trigger 5 seconds of projection.
2. To turn the angle of the time that appears on the ceiling, rotate the TIME ROTATION KNOB (Fig. 6) until you have reached your desired result.
NOTE: The TIME ROTATION KNOB will rotate up to 350 degrees.
3. To focus the time on the ceiling, rotate the FOCUS KNOB (Fig. 6) until you have reached your desired result.
4. To adjust where time is projected, move projector forward or backward (Fig. 6).

Maintenance

To Store

You may store the unit in its box or a cool, dry place.

To Clean

Wipe off dust with a damp cloth. NEVER use liquids or abrasive cleaner to clean. Modifications not authorized by the manufacturer may void users authority to operate this device.

NOTE: This equipment has been tested and found to comply with the limits for a Class B digital device, pursuant to Part 15 of the FCC Rules. These limits are designed to provide reasonable protection against harmful interference in a residential installation. This equipment generates, uses and can radiate radio frequency energy and, if not installed and used in accordance with the instructions, may cause harmful interference to radio

communications. However, there is no guarantee that interference will not occur in a particular installation. If this equipment does cause harmful interference to radio or television reception, which can be determined by turning the equipment off

and on, the user is encouraged to try to correct the interference by one or more of the following measures:

- Reorient or relocate the receiving antenna.
- Increase the separation between the equipment and receiver.
- Connect the equipment into an outlet on a circuit different from that to which the receiver is connected.
- Consult the dealer or an experienced radio/TV technician for help

NOTE: The manufacturer is not responsible for any radio or TV interference caused by unauthorized modifications to this equipment. Such modifications could void the users authority to operate the equipment.

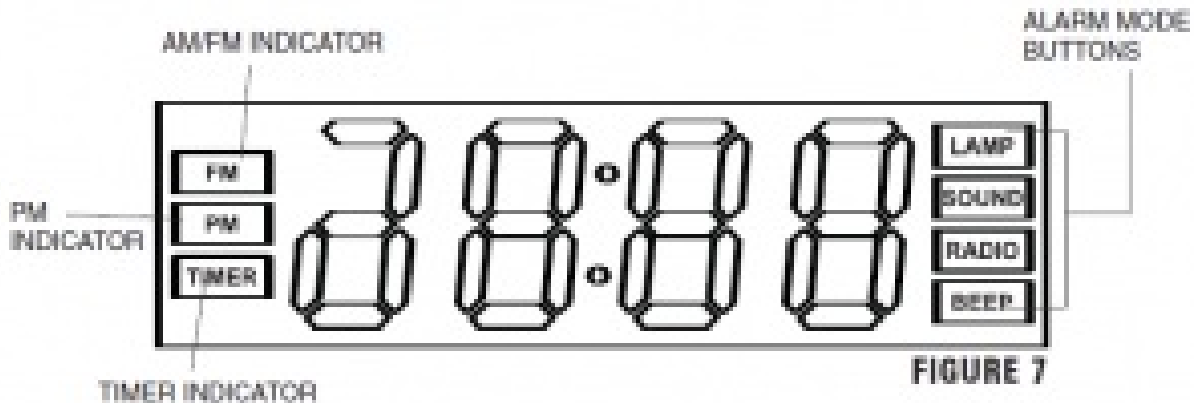


Figure 7

FIGURE 8

Alarm Mode	Alarm Mode	When Sounded	Alarm Settings	When you push BEEP/BT
Alarm Only	No Beep	Alarm Siren • Lamp turns on and lights up	Alarm Indicator - Lamp Alarm Setting - OFF	• Lamp turns off • Lamp turns on after 2 minutes in full brightness
	10 or 20 minutes Beep	10 or 20 minutes before alarm time • Lamp flashes • Lamp lights up gradually for 10 or 20 minutes and full brightness	Alarm Indicator - Lamp Alarm Setting - 10 or 20	• Lamp turns to steady on • Lamp lights up gradually for 10 minutes in full brightness
Silent Alarm	No Beep	Alarm Siren • Silent/Flash display at maximum level you choose	Alarm Indicator - Sound	• Sound turns off • Sound turns on after 2 minutes
	10 or 20 minutes Beep	10 minutes before alarm time • Silent/Flash display gradually • Sound gradually increases to the maximum level you choose at alarm time	Alarm Indicator - Sound Alarm Setting - 10 or 20	• Sound turns off • Sound turns on after 2 minutes • Sound turns on maximum level you choose for 1 additional minute
Lamp & Beep Sound	No Beep	Alarm Siren • Lamp turns on in full brightness and Sound plays until maximum level you choose	Alarm Indicator - Lamp & Sound Alarm Setting - OFF	• Lamp & Sound Flashing off • Lamp & Sound Flashing on after 2 minutes
	10 or 20 minutes Beep	10 or 20 minutes before alarm time • Lamp flashes • Light brightness gradually for 10 or 20 minutes until full brightness at alarm time 10 minutes before alarm time • Sound turns on • Sound gradually increases to the maximum level you choose at alarm time	Alarm Indicator - Lamp & Sound Alarm Setting - 10 or 20	• Lamp turns to steady on • Light brightness gradually for 2 minutes in full brightness • Sound turns off • Sound turns on after 2 minutes • Sound turns on maximum level you choose for 1 additional minute
Lamp & Beep or Lamp & Radio	No Beep	Alarm Siren • Lamp turns on full brightness and Beep or Radio sound at maximum level you choose	Alarm Indicator - Lamp & Beep or Lamp & Radio Alarm Setting - OFF	• Lamp & Beep or Radio turn off • Lamp & Beep or Radio turn on after 2 minutes
	10 or 20 minutes Beep	10 or 20 minutes before alarm time • Lamp flashes • Light brightness gradually for 10 or 20 minutes until full brightness Alarm Siren • Beep or Radio sound at maximum level you choose	Alarm Indicator - Lamp & Beep or Lamp & Radio Alarm Setting - 10 or 20	• Lamp turns to steady on • Lamp lights up gradually for 10 minutes in full brightness • Beep or Radio sound after 1 minute
Radio or Beep	No Beep	Alarm Siren • Radio or Beep sound at maximum level you choose	Alarm Indicator - Radio or Beep Alarm Setting - OFF	• Radio or Beep turn off • Radio or Beep turn on after 2 minutes

LIMITED ONE YEAR WARRANTY

HoMedics sells its products with the intent that they are free of defects in manufacture and workmanship for a period of one year from the date of original purchase, except as noted below. HoMedics warrants that its products

will be free of defects in material and workmanship under normal use and service. This warranty extends only to consumers and does not extend to Retailers.

To obtain warranty service on your HoMedics product, mail the product and your dated sales receipt (as proof of purchase), postpaid, to the following address: HoMedics Consumer Relations

Service Center Dept. 168

3000 Pontiac Trail

Commerce Township, MI 48390

No COD's will be accepted.

HoMedics does not authorize anyone, including, but not limited to, Retailers, the subsequent consumer purchaser of the product from a Retailer or remote purchasers, to obligate HoMedics in any way beyond the terms set forth herein. This warranty does not cover damage caused by misuse or abuse; accident; the attachment of any unauthorized accessory; alteration to the product; improper installation; unauthorized repairs or modifications; improper use of electrical/power supply; loss of power; dropped product; malfunction or damage of an operating part from failure to provide manufacturer's recommended maintenance; transportation damage; theft; neglect; vandalism; or environmental conditions; loss of use during the period the product is at a repair facility or otherwise awaiting parts or repair; or any other conditions whatsoever that are beyond the control of HoMedics.

This warranty is effective only if the product is purchased and operated in the country in which the product is purchased. A product that requires modifications or adoption to enable it to operate in any other country than the country for which it was designed, manufactured, approved and/or authorized, or repair of products damaged by these modifications is not covered under this warranty.

THE WARRANTY PROVIDED HEREIN SHALL BE THE SOLE AND EXCLUSIVE WARRANTY. THERE SHALL BE NO OTHER WARRANTIES EXPRESS OR IMPLIED INCLUDING ANY IMPLIED WARRANTY OF MERCHANTABILITY OR FITNESS OR ANY OTHER OBLIGATION ON THE PART OF THE COMPANY WITH RESPECT TO PRODUCTS COVERED BY THIS WARRANTY. HOMEDICS SHALL HAVE NO LIABILITY FOR ANY INCIDENTAL, CONSEQUENTIAL OR SPECIAL DAMAGES. IN NO EVENT SHALL THIS WARRANTY REQUIRE MORE THAN THE REPAIR OR REPLACEMENT OF ANY PART OR PARTS WHICH ARE FOUND TO BE DEFECTIVE WITHIN THE EFFECTIVE PERIOD OF THE WARRANTY. NO REFUNDS WILL BE GIVEN. IF REPLACEMENT PARTS FOR DEFECTIVE MATERIALS ARE NOT AVAILABLE, HOMEDICS RESERVES THE RIGHT TO MAKE PRODUCT SUBSTITUTIONS IN LIEU OF REPAIR OR REPLACEMENT.

This warranty does not extend to the purchase of opened, used, repaired, repackaged and/or resealed products, including but not limited to sale of such products on Internet auction sites and/or sales of such products by surplus or bulk resellers. Any and all warranties or guarantees shall immediately cease and terminate as to any products or parts thereof which are repaired, replaced, altered, or modified, without the prior express and written consent of HoMedics. This warranty provides you with specific legal rights. You may have additional rights which may vary from country to country. Because of individual country regulations, some of the above limitations and exclusions may not apply to you. For more information regarding our product line in the USA, please visit:

www.homedics.com

Read More About This Manual & Download PDF:

Homedics SS-5500 SoundSpa Sunrise AM/FM Clock Radio Wake Gently to a Virtual Sunrise Instruction Manual and Warranty Information – [Download \[optimized\]](#)

Homedics SS-5500 SoundSpa Sunrise AM/FM Clock Radio Wake Gently to a Virtual Sunrise Instruction Manual and Warranty Information – [Download](#)