




[Home](#) » [HOMCOM](#) » **HOMCOM IN241100547V01\_GL Shoe Bench with Adjustable and Removable Instruction Manual** 

**Contents** [ [hide](#) ]

[1 HOMCOM IN241100547V01\\_GL Shoe Bench with Adjustable and Removable](#)

[2 Maintenance](#)

[3 PARTS](#)

[4 HARDWARE](#)

[5 Installation Instruction](#)

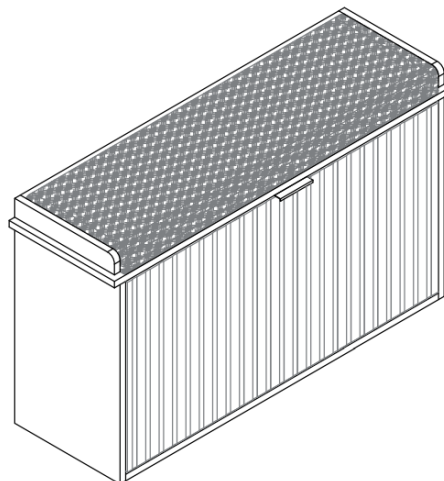
[6 Frequently Asked Questions](#)

[7 Documents / Resources](#)

[7.1 References](#)



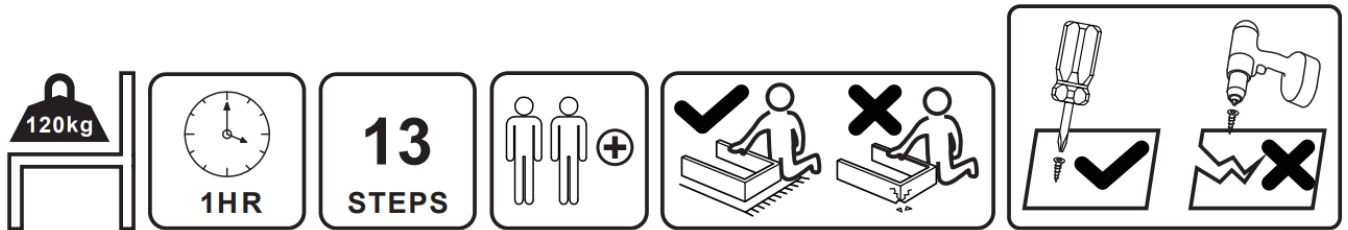
## **HOMCOM IN241100547V01\_GL Shoe Bench with Adjustable and Removable**



### **Product Specifications**

- Model: IN241100547V01\_GL
- Dimensions: 120 x 13 x 1HR
- Steps: 13
- Compatibility: US\_CA

## Tools Recommended



**IMPORTANT, RETAIN FOR FUTURE REFERENCE: READ CAREFULLY.**

**IMPORTANT, RETAIN FOR FUTURE REFERENCE: READ CAREFULLY.** Only for domestic use Instructions for use:

- Put the chair stably on a flat floor.
- Stay away from open flames.
- Avoid the overload at the chair.

## Precautions before assembly

- Prepare a clean and dry mounting area.
- Verify that the product is not damaged.
- Check that none of the pieces are missing.

## Maintenance

- Clean with a soft fabric.
- Check the seating regularly.

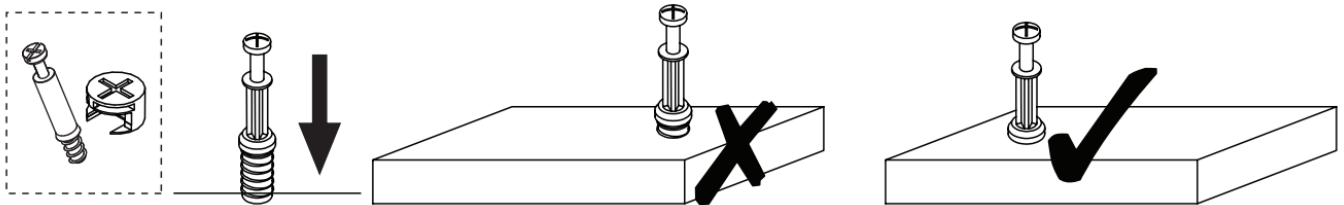
## Storage conditions:

The fabric should be stored completely dry, in a clean and dry place to avoid the risks of mold. Beware of crushing and cutting hazards during assembly. The manufacturer declines all responsibility in case of damages due to a bad installation or withering. If the

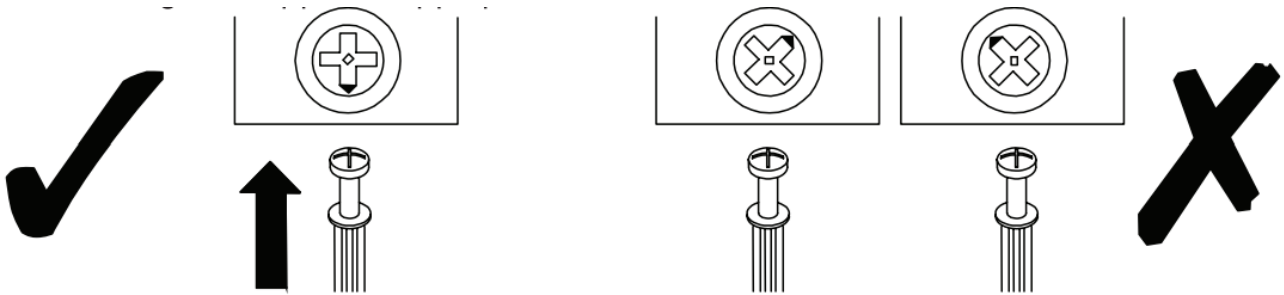
seating is fitted with powered seat height adjustments, only trained personnel may replace or repair those components.

## IF HAVE THIS ACCESSORY

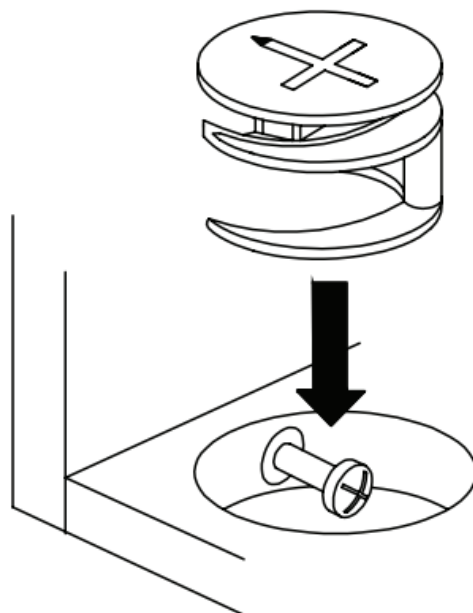
**QUICKFIT:** Tighten quickfit until shoulder is flush with panel. Do not overtighten or undertighten.



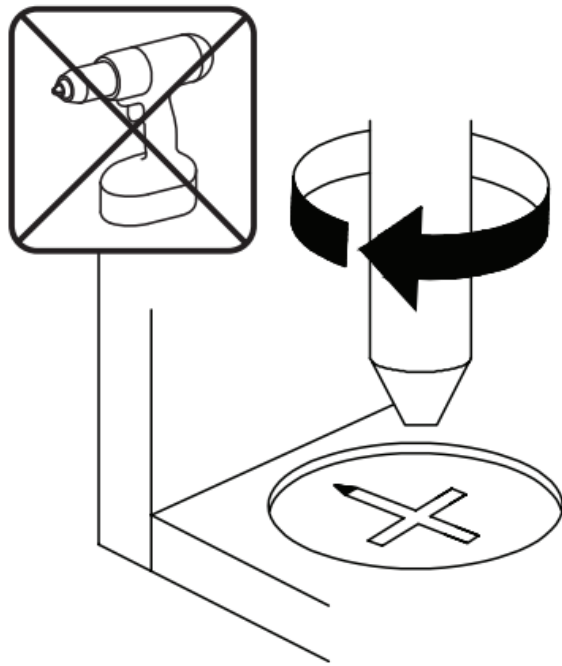
**CAM LOCK :**When fitting cam lock, ensure starting position is correct before you insert connecting quickfit.



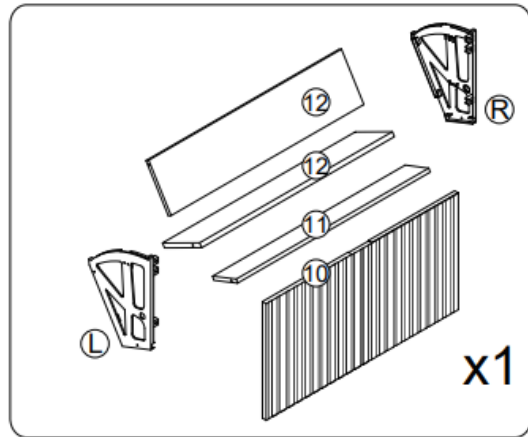
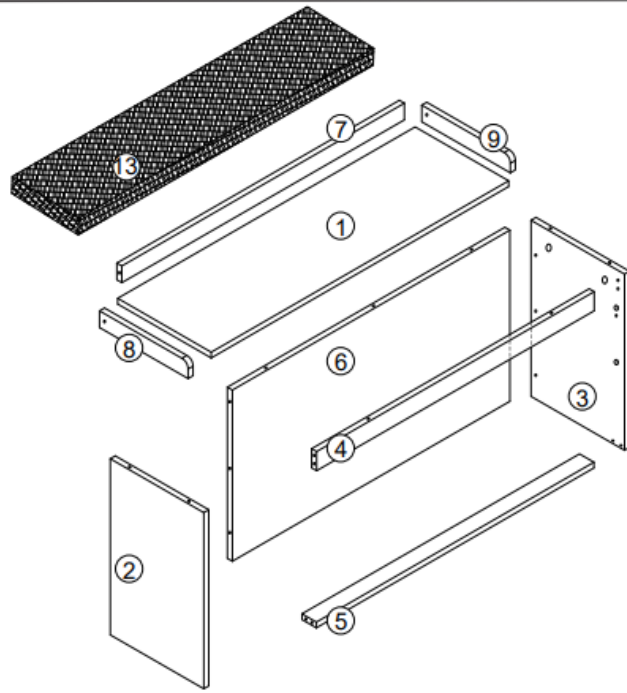
**EN\_Quickfit** head should be in the centre of the cam lock when the two panels are joined.


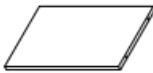

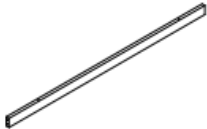


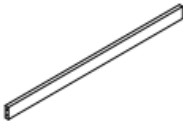








**EN Turn** cam lock clockwise to tighten.







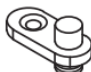








**PARTS**



 ① x1	 ② x1	 ③ x1
 ④ x1	 ⑤ x1	 ⑥ x1
 ⑦ x1	 ⑧ x1	 ⑨ x1
 ⑩ x1	 ⑪ x1	 ⑫ x2
		⑬ x1

## HARDWARE

 <b>A</b> x15 +1(spare)	 <b>B</b> x15 +1(spare)	 <b>C</b> x6 M6*30	 <b>D</b> x2 M4*10	 <b>E</b> x 2
 <b>F</b> x8 M4*30	 <b>G</b> x2	 <b>H</b> x 1	 <b>I</b> x16 M3.5*14 +1(spare)	 <b>J</b> x2 M4*35
 <b>L</b> x 1	 <b>M</b> x 2	 <b>R</b> x 1		

## Installation Instruction

A x 8



G x 2



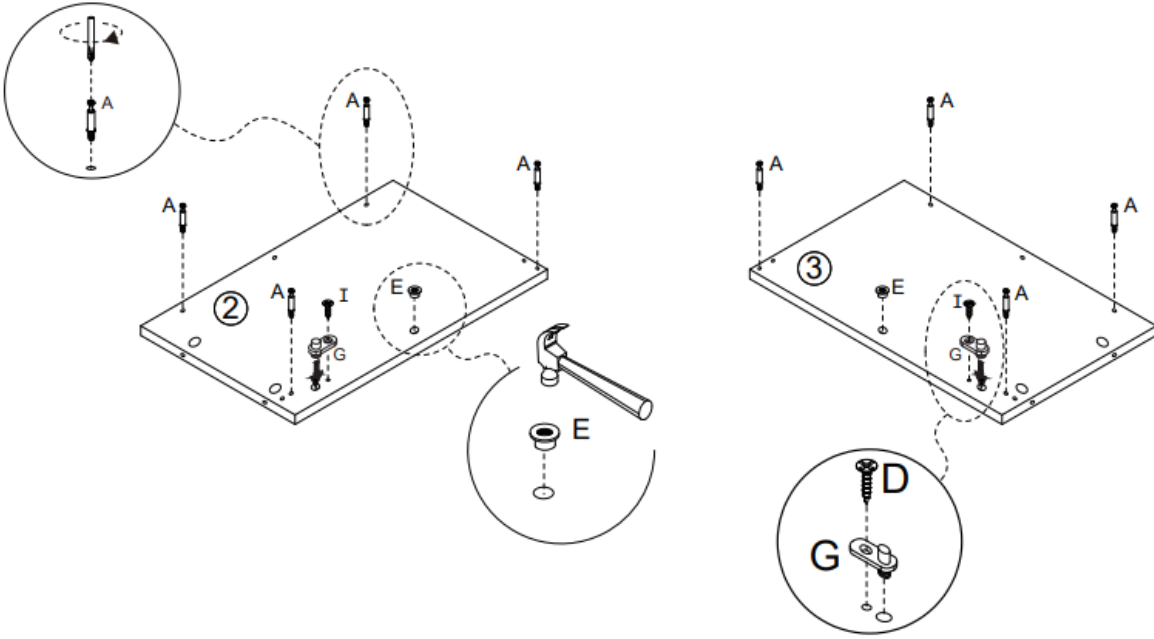
E x 2



I x 2



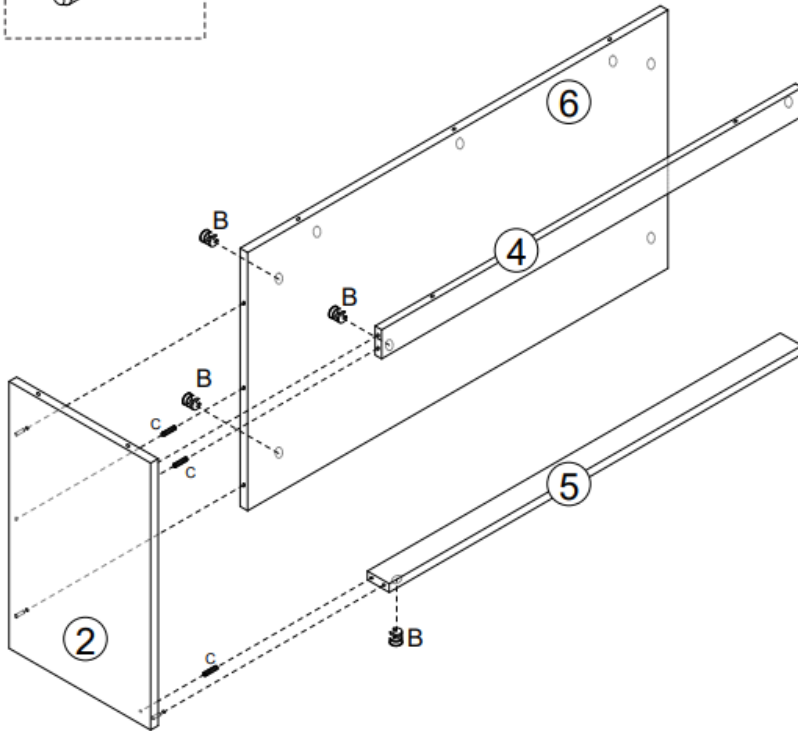
M3.5\*14

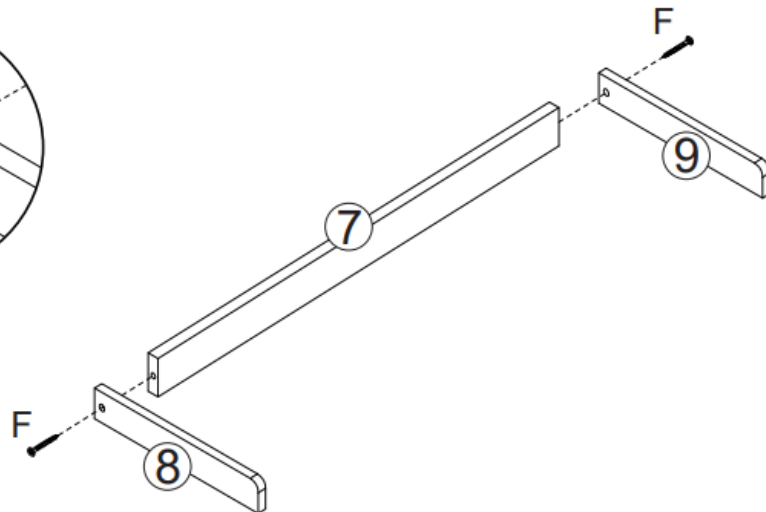
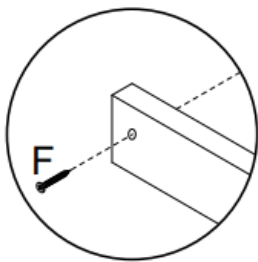
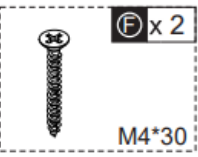
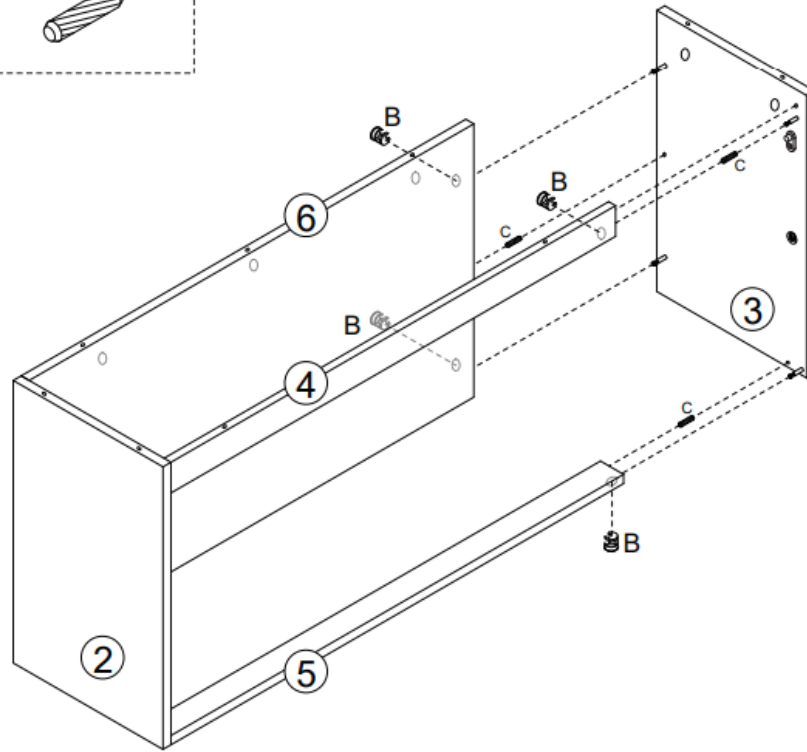
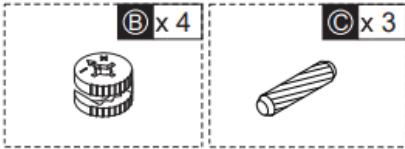


B x 4



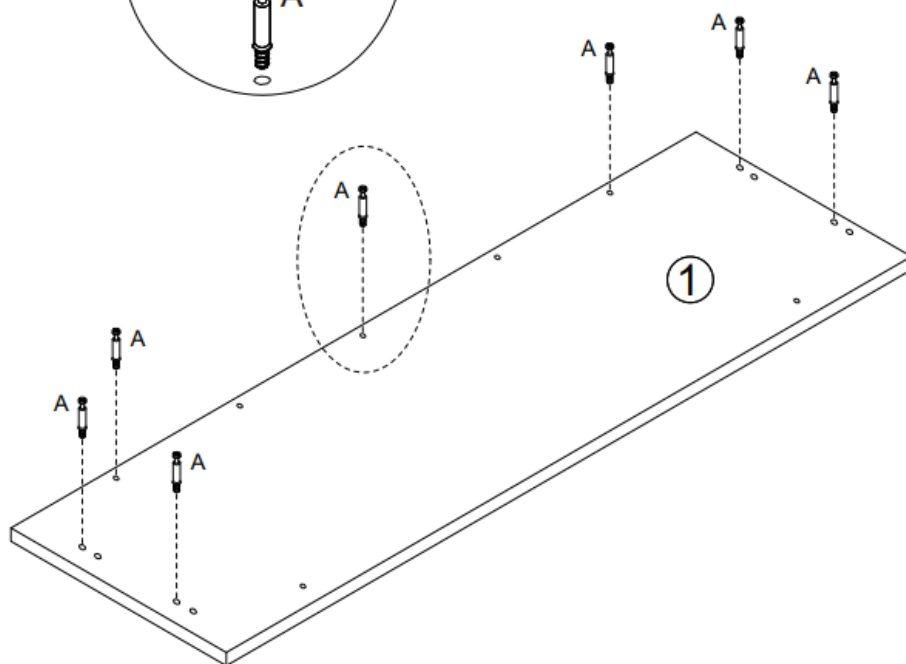
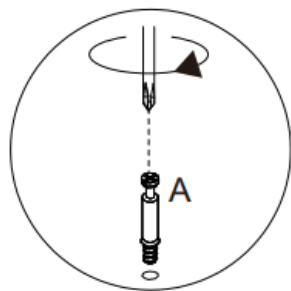
C x 3







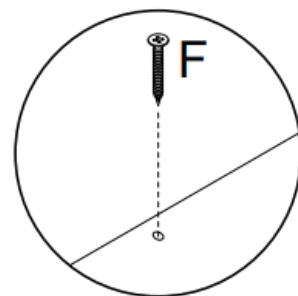
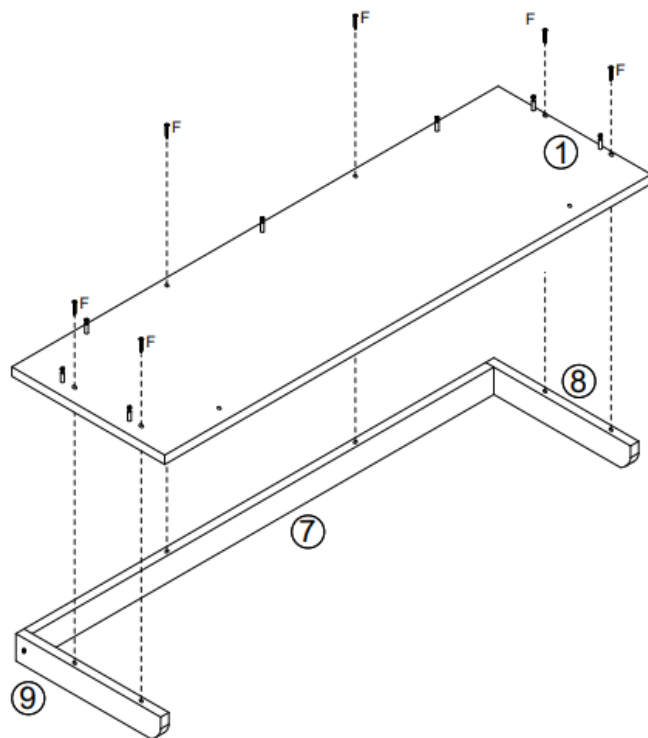
A x 7



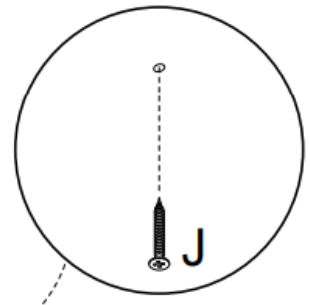
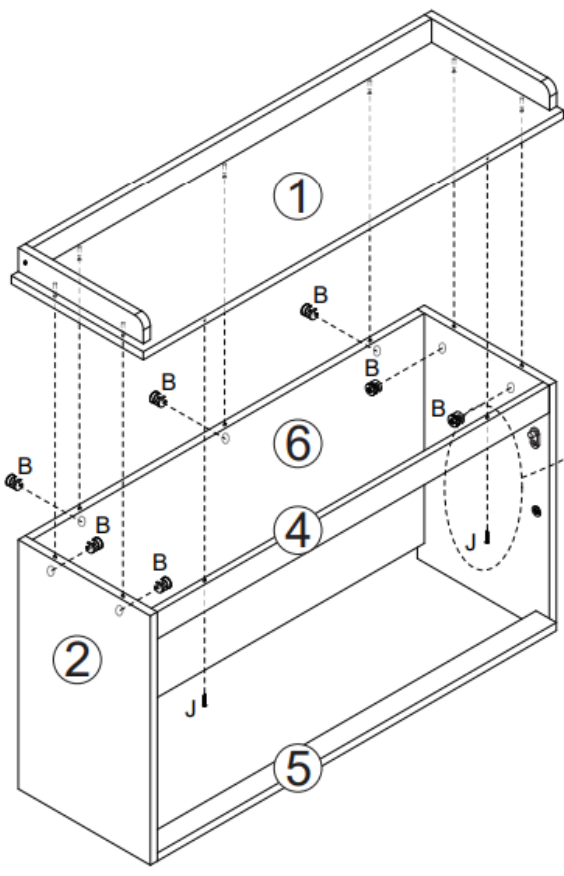
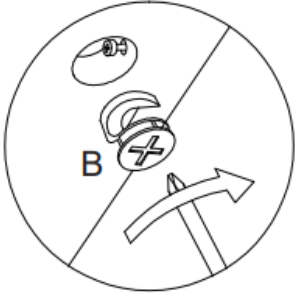
F x 6



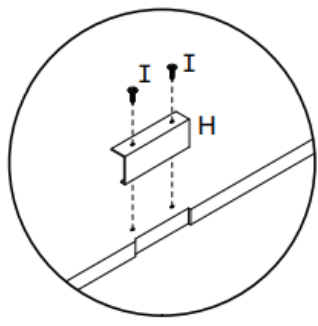
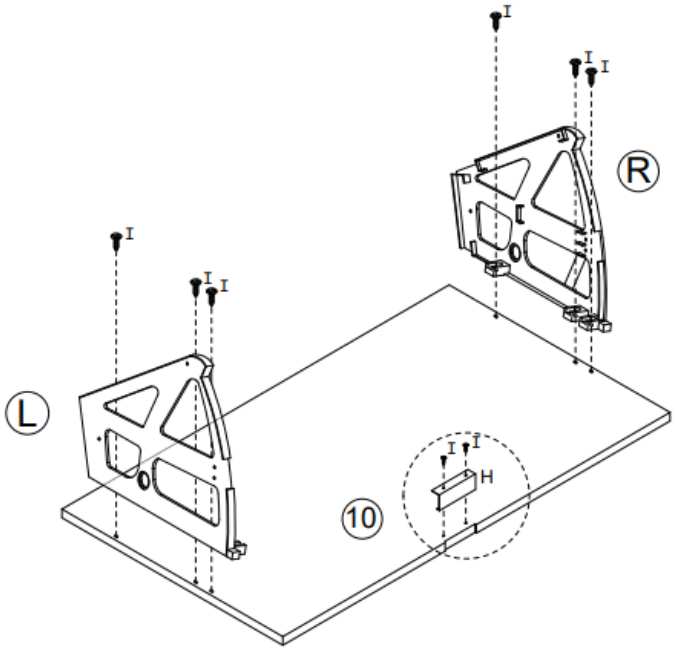
M4\*30



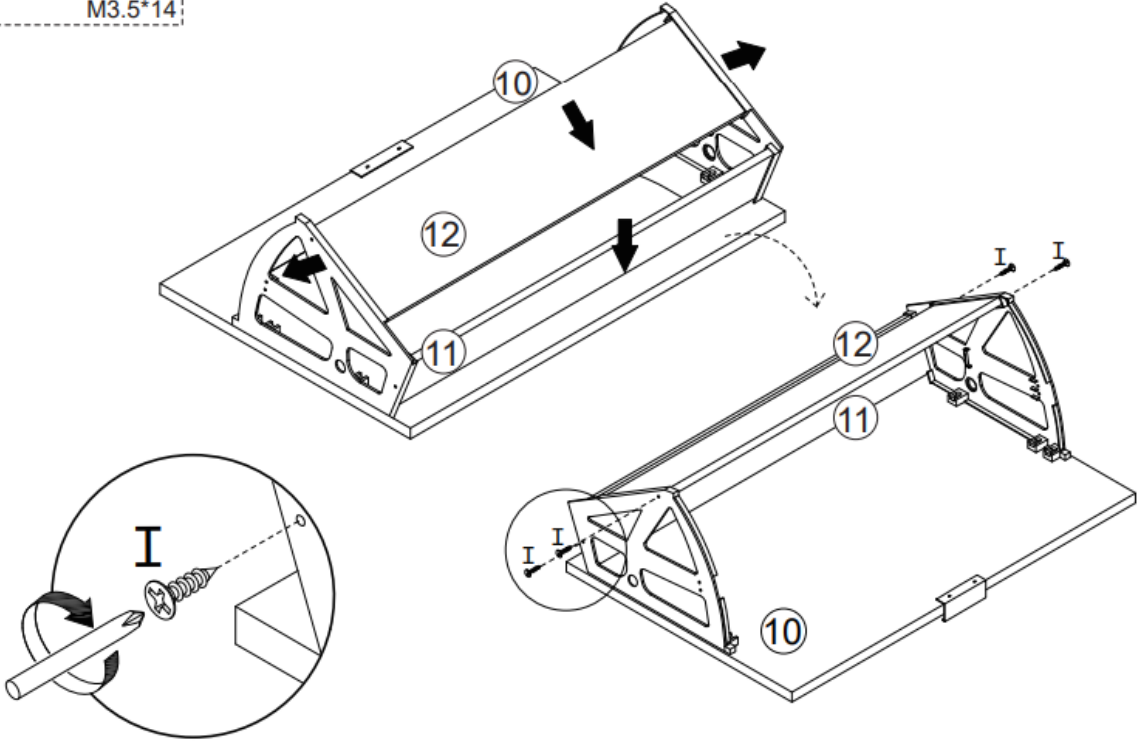
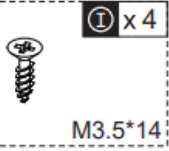
- B** x 7
- I** x 2
- M4\*35



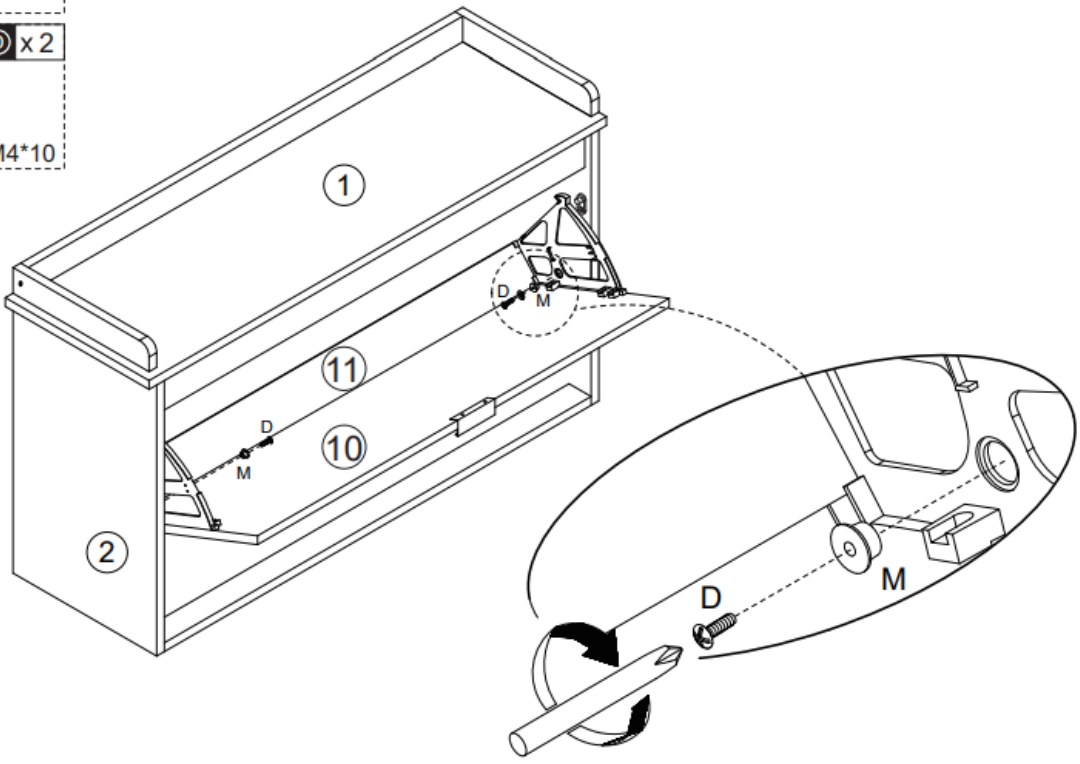
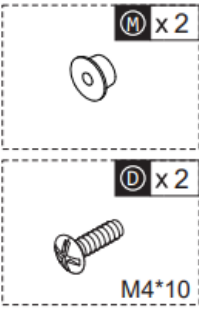
- H** x 1
- I** x 8
- M3.5\*14
- L** x 1
- R** x 1

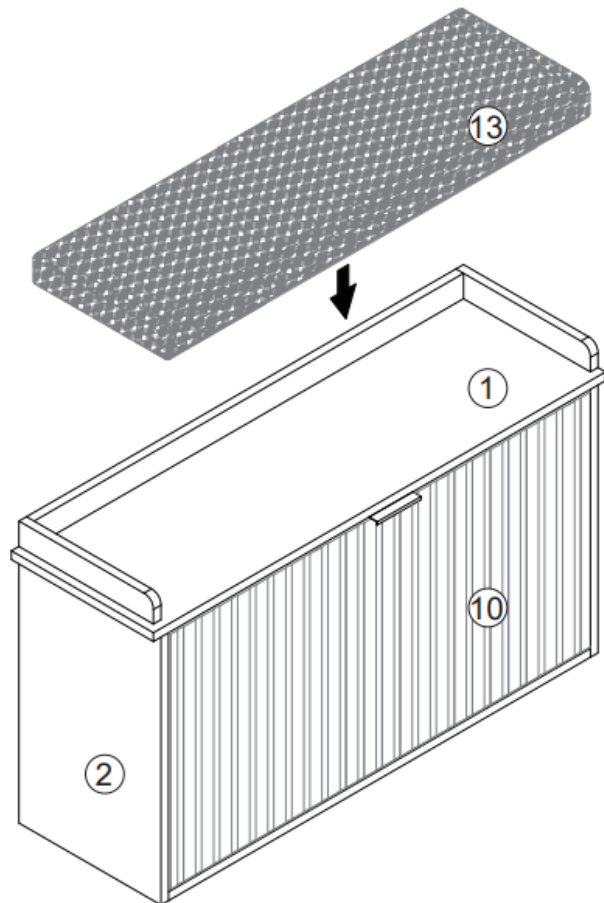
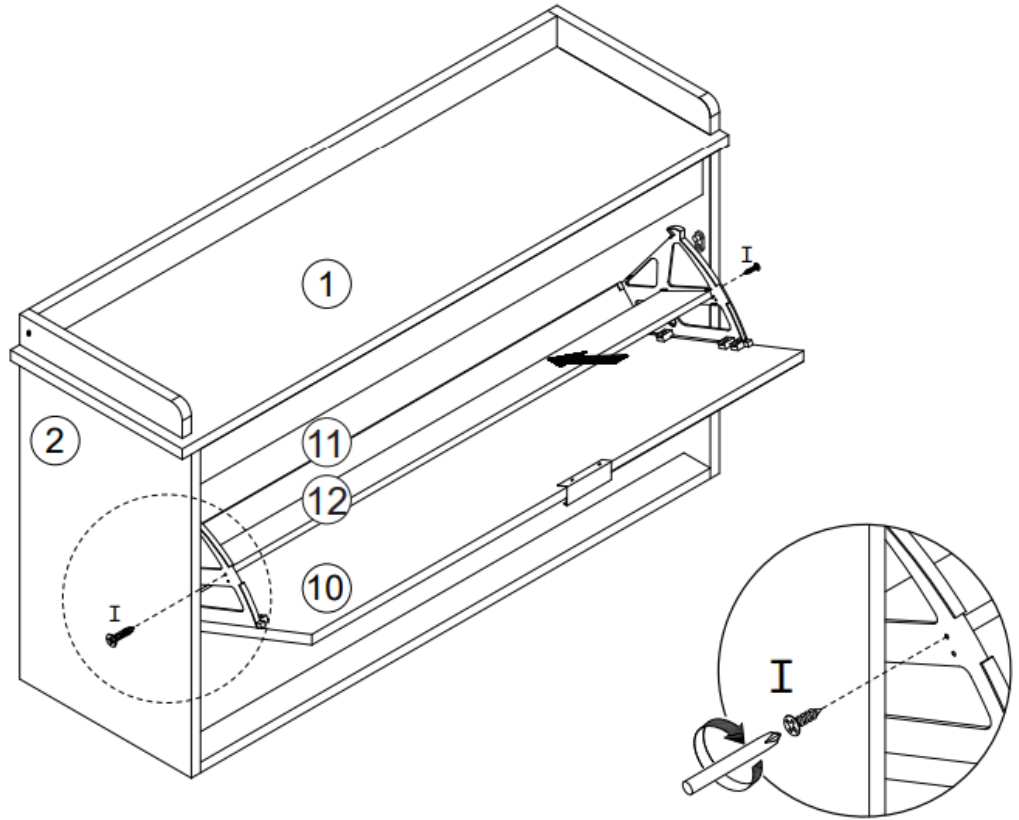
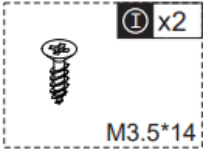


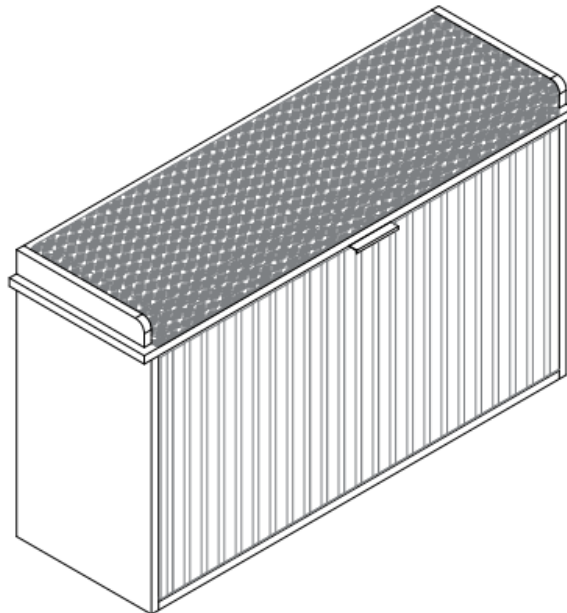
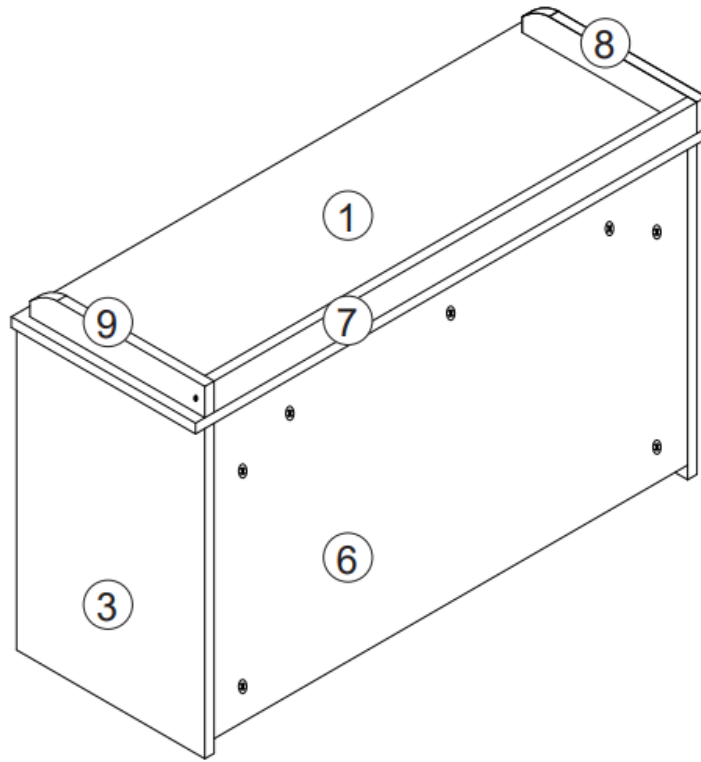
x1



x1







If you have any questions, please contact our US customer care center, Our contact

details are below: 001-[877-644-9366](tel:877-644-9366) [customerservice@aosom.com](mailto:customerservice@aosom.com) Imported by Aosom LLC 27150 SW Kinsman Rd Wilsonville, OR 97070 USA MADE IN CHINA

## Frequently Asked Questions

- **Q: How do I clean the product?**

A: To clean the product, use a damp cloth with mild detergent. Avoid using harsh chemicals that may damage the surface.


- **Q: Can this product be used outdoors?**

A: This product is designed for indoor use only. Using it outdoors may affect its performance and durability.

- **Q: What should I do if I encounter technical issues?**

A: If you experience any technical issues, refer to the troubleshooting section of the user manual or contact customer support for assistance.

## Documents / Resources

	<p><a href="#">HOMCOM IN241100547V01_GL Shoe Bench with Adjustable and Removable [pdf]</a> Instruction Manual</p> <p>837-559V71, 837-559V81, IN241100547V01_GL Shoe Bench with Adjustable and Removable, IN241100547V01_GL, Shoe Bench with Adjustable and Removable, Bench with Adjustable and Removable, Adjustable and Removable, Removable</p>
-------------------------------------------------------------------------------------	----------------------------------------------------------------------------------------------------------------------------------------------------------------------------------------------------------------------------------------------------------------------------------------------------------------------------------------------------

## References

- [User Manual](#)

■ HOMCOM

◆ 837-559V71, 837-559V81, Adjustable and Removable, Bench with Adjustable and Removable, HOMCOM, IN241100547V01\_GL, IN241100547V01\_GL Shoe Bench with Adjustable and Removable, Removable, Shoe Bench with Adjustable and Removable

---

## Leave a comment

Your email address will not be published. Required fields are marked \*

Comment \*

Name

Email

Website

Save my name, email, and website in this browser for the next time I comment.

**Post Comment**

**Search:**

e.g. whirlpool wrf535swhz

**Search**

[Manuals+](#) | [Upload](#) | [Deep Search](#) | [Privacy Policy](#) | [@manuals.plus](#) | [YouTube](#)

This website is an independent publication and is neither affiliated with nor endorsed by any of the trademark owners. The "Bluetooth®" word mark and logos are registered trademarks owned by Bluetooth SIG, Inc. The "Wi-Fi®" word mark and logos are registered trademarks owned by the Wi-Fi Alliance. Any use of these marks on this website does not imply any affiliation with or endorsement.