



# GVM-YU200R Bi Color Studio Softlight LED Panel User Manual

[Home](#) » [GVM](#) » GVM-YU200R Bi Color Studio Softlight LED Panel User Manual 

# GVM

GREAT VIDEO MAKER

GVM-YU200R

## Contents

- [1 PRODUCT INTRODUCTION](#)
- [2 USE AND SAVE](#)
- [3 DISCLAIMERS](#)
- [4 PRODUCT PARAMETER](#)
- [5 PRODUCT STRUCTURE ICON](#)
- [6 INSTALLATION METHOD](#)
- [7 DESCRIPTION OF PRODUCT CONTROL KEYS](#)
- [8 FUNCTION INSTRUCTION & INSTRUCTION FOR USE](#)
- [9 APP CONTROL](#)
- [10 PRECAUTIONS](#)
- [11 SIMPIE FAULTS AND TROUBLESHOOTING](#)
- [12 PACKING LIST](#)
- [13 Documents / Resources](#)
  - [13.1 References](#)
- [14 Related Posts](#)

## PRODUCT INTRODUCTION

Welcome to "GVM-YU200R", this product is specially designed for senior photography enthusiasts. The product is suitable for live streaming / outdoor / studio photography, and also for YouTube video shooting. The main features of the product are:

1. The light can be adjusted steplessly, with 1365 lamp beads, and a color rendering index of 97+, which helps restore and enrich the color of the object, providing you with natural and vivid shooting effects.
2. APP control can be controlled by your IOS and Android smart mobile devices; at the same time, GVM brand devices that support Bluetooth mesh networking can be used for group control.
3. With standard DMX an interface enables DMX control mode with low accuracy 8bit and 16bit high accuracy.
4. With an LCD screen display and a stable system, it supports 180° rotation, which can effectively control the light. Equipped with a matching cover, after installation, the light can be more concentrated and the excess light can be eliminated. You can customize the brightness to fill light, allowing you to adjust the light scene you want at will, and shoot the effect you want.
5. There are 7 lighting modes, namely: CCT mode, HSI mode, RGB mode, GEL color paper mode, light source matching mode, white light effect mode, and color light effect mode.

**CCT mode:** white light mode, you can adjust the light intensity and color temperature.

**HSI mode:** Color light mode, you can adjust the hue, saturation, light intensity (HSI = hue, saturation, light intensity), realize 36 million colors can be adjusted, realize 10,000 colors can be adjusted.

**RGB mode:** color light mode, adjustable three primary colors (red, green, blue). Achieve 16 billion colors adjustable.

**Light source matching mode:** This model has 12 different styles of light source types to choose from. Can provide you with a specific light source, saving a lot of time to adjust the light.

**White light effect mode:** This mode provides 8 white light modes: lightning, CCT cycle, candle, broken bulb, TV, paparazzi, explosion, breathing light.

**Colored light effect mode:** This mode provides 4 types of Colored light effects: party, police car, hue cycle, disco.

We firmly believe that the correct use of this product will be of great help to your shooting work. It is strongly recommended that you read the following user guide carefully before using the product.

## USE AND SAVE

Do not place the product in high humidity, strong electromagnetic field, direct sunlight, high temperature environment. If the product is not to be used for a long time, disconnect the power supply.

**Clean:** Please unplug the power plug before cleaning. And use a damp cloth instead of any detergent or soluble liquid, so as not to damage the surface layer.

**Power supply:** Ensure that the power supply is within the scope of use, too high or too low will affect the work.

**Maintenance:** If there is a malfunction or performance degradation, please do not open the shell package by yourself, so as not to damage the machine and lose the right of maintenance. In the event of a malfunction, please feel free to contact us, and we will do our best to solve the problem.

**Accessories:** Please use the accessories provided by the manufacturer or approved accessory products in order to give full play to the best performance.

**Warranty:** Do not modify the product, otherwise the right to repair will be lost.

## DISCLAIMERS

1. Before using this product, please read the instructions carefully and make sure to use the product correctly. If

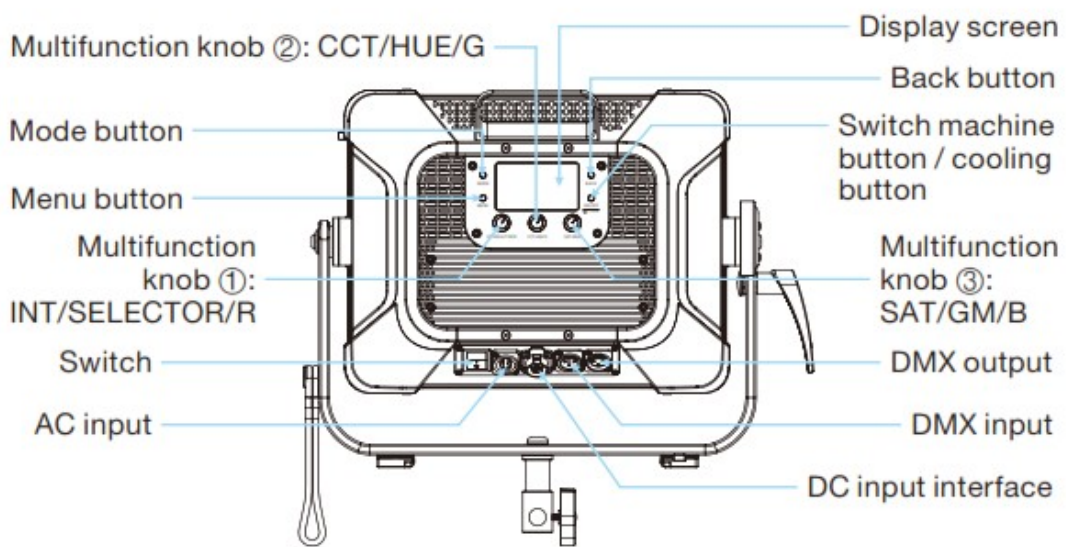
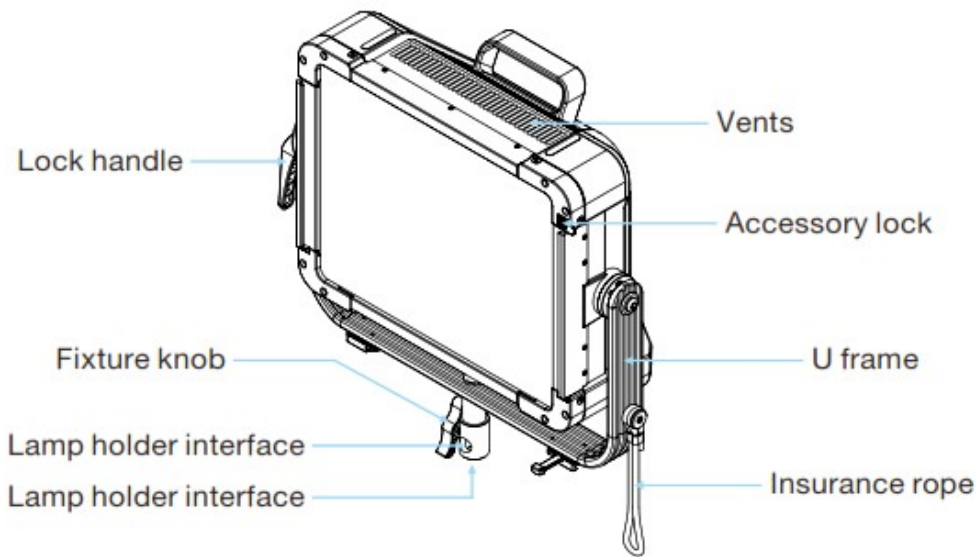
you don't obey the instructions and warnings, you maybe cause harm to yourself and the people around or even damage the product and other things around.

2. Once you use this product, you are deemed to have read the disclaimer and warning carefully, understand and acknowledge all the terms and contents of this statement, and promise to take full responsibility for the use of this product and possible consequences.
3. Design and specifications are subject to change without notice. 2

## PRODUCT PARAMETER

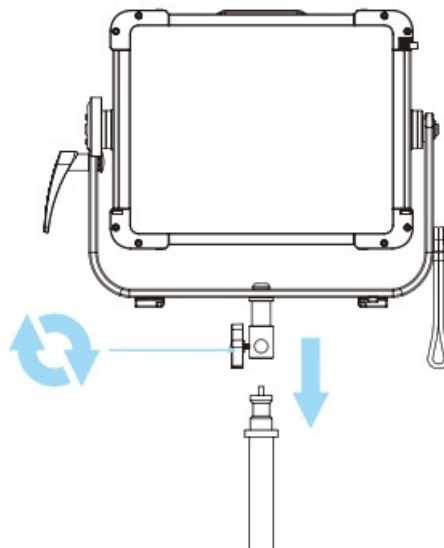
- **Brand:** GVM Product
- **Name:** Photography lights
- **Product model:** GVM-YU200R
- **Product Type:** Photography Fill Light
- **Function / Feature:** LCD screen, DMX. Multi-scene mode, High CRI lamp beads, APP control,
- Master/Slave mode
- **Lamp beads quantity:** 1365 lamp beads
- **Color rendering index:** 97
- **Color temperature:** 2700K~7500K
- **Lumen:** 21000lux/0.5m, 5700lux/1m
- **Product Size (mm):** 490\*460\*160
- **Light adjustment method:** Stepless adjustment
- **Product Weight:** 8.6 KG
- **Power:** 250W
- **Voltage:** AC100-240V
- **Power supply mode:** AC input & battery/DC power supply
- **Cooling:** Forced cooling by fan
- **Product material:** Aluminum alloy + plastic
- **Commodity Origin:** Huizhou, China

## PRODUCT STRUCTURE ICON

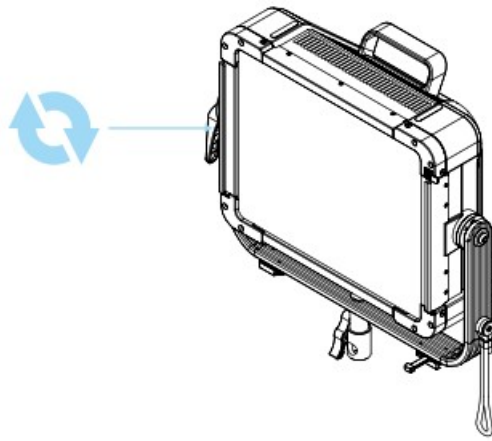


## INSTALLATION METHOD

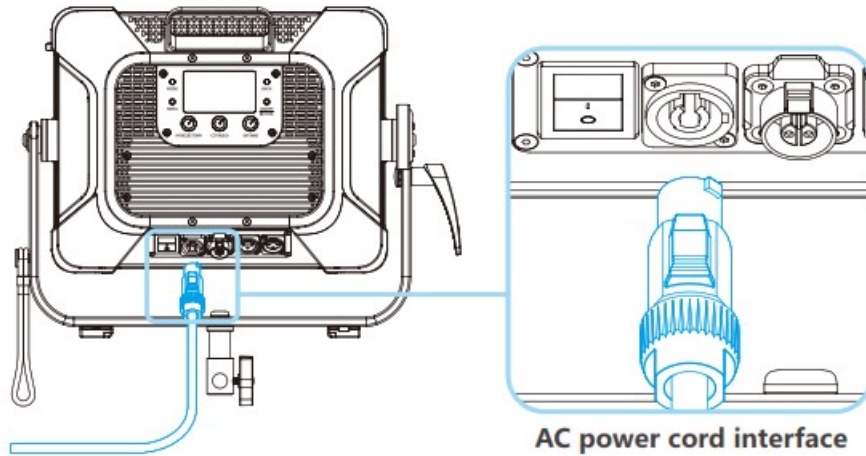
1. Loosen the rotating button of the lamp holder, install the lamp on the lamp holder as shown in the figure below, and then tighten the rotating button of the lamp holder.



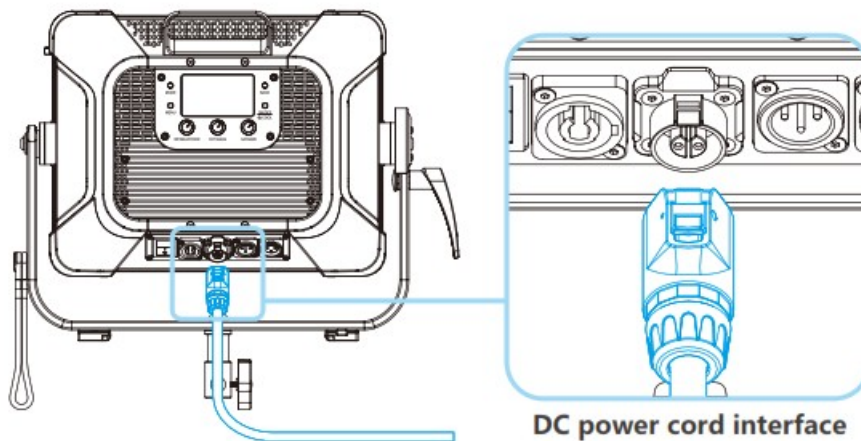
2. Loosen the lock handle, adjust the angle of the lamp, and then tighten the lock handle.



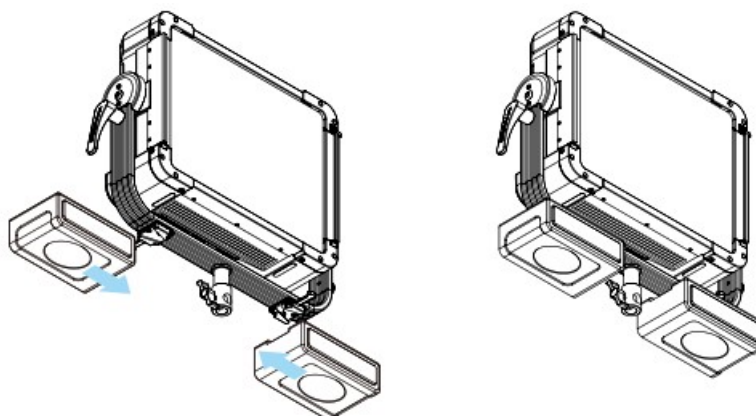
3. Connect the AC power cord for power supply.



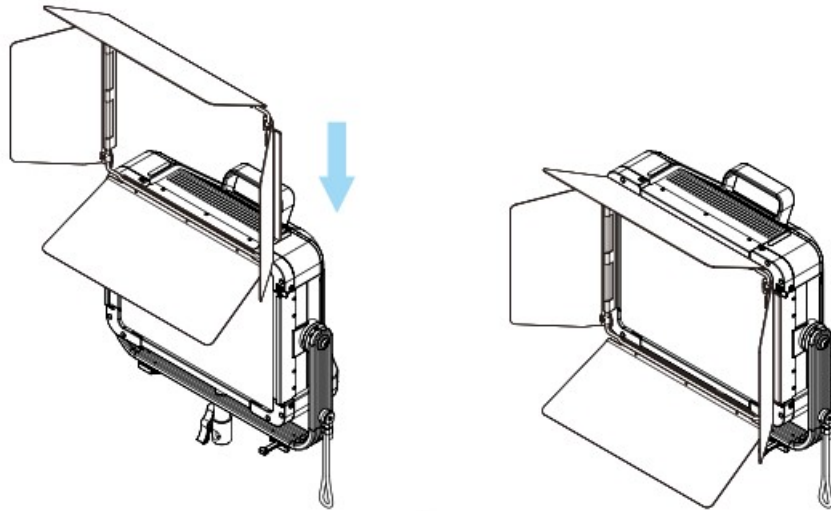
4. Connect the DC power cord for power supply.  
(DC power cord needs to be purchased separately)



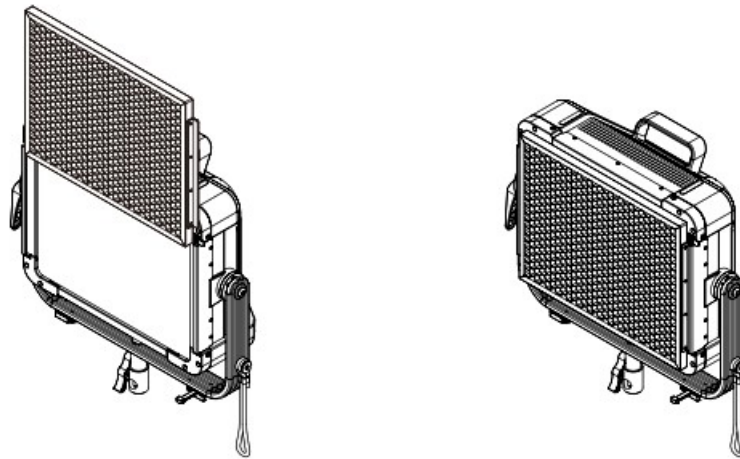
5. Install the two V button batteries on the U-shaped frame, and then connect the battery and the light through the battery cable to supply power.  
(V button battery needs to be purchased separately)



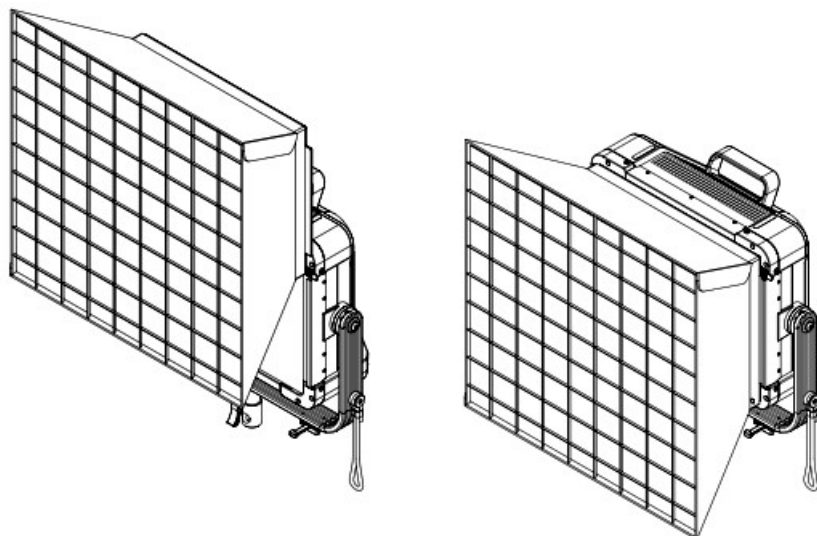
6. The installation steps of light-controlled folding are as shown in the figure below.  
(The light-controlled folding page needs to be purchased separately)



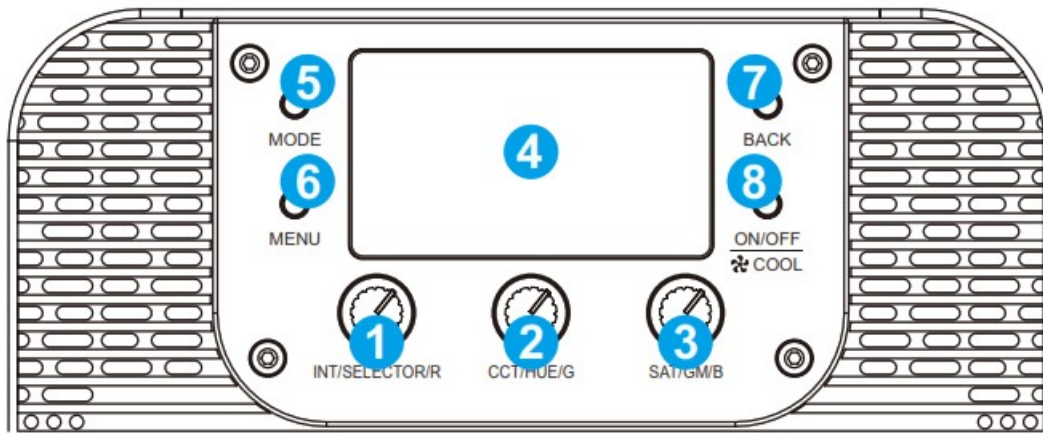
7. The installation steps of the honeycomb board are as shown in the figure below.  
(The honeycomb board needs to be purchased separately)



8. The installation steps of the soft box are shown in the figure below.  
(Softbox needs to be purchased separately)



## DESCRIPTION OF PRODUCT CONTROL KEYS



1. Knob: INT/SELECTOR/R, a multi-function coding knob, you can adjust “select” or “brightness/red” by pressing or rotating.
2. Knob: CCT/HUE/G, multi-function coding knob, can be adjusted by rotating “color temperature/hue/green”.
3. Knob: SAT/GM/B, multi-function coding knob, can be adjusted by rotating “color saturation/green product offset/blue”.
4. Display: display current settings, modes, and parameters
5. Mode button: lighting mode switch button
6. Menu button: word button to enter the setting menu
7. Return button: press this button to return to the previous menu
8. Power ON/OFF button/cooling button: When the light is off, long press to turn on the light; when the light is on, long press to turn off the light, and start the large air volume to dissipate until the temperature drops to a touchable temperature.

## FUNCTION INSTRUCTION & INSTRUCTION FOR USE

### 1. MENU

Press the MENU button to enter the menu setting page turn the [knob] to select an item press [Knob] Enter the project setting interface Set the parameters of the project by pressing or turning [Knob] Press [BACK] to go to the previous menu

**DMX SETUP:** Set DMX parameters, [address (001-512)] and mode [(8bit/16bit)]

**DIMMER CURVE:** Set dimming [curve/linear/logarithm/exponential/S curve].

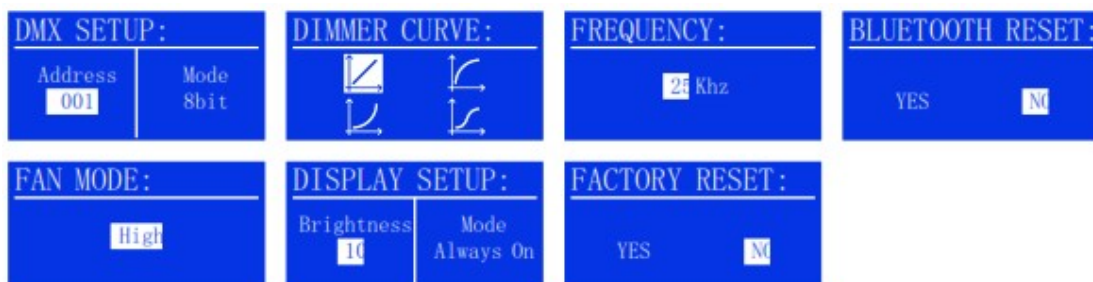
**LIGHT FREQUENCY:** Set dimming frequency, adjustment range [15KHz-25KHz]

**BLUETOOTH RESET:** Select [YES/NO] for Bluetooth reset operation

**FAN MODE:** Select cooling fan mode, [Auto/Quiet/High]

**DISPLAY SETUP:** Set display backlight [Brightness (0~10)] and backlight display mode [Always On/After 10s]

**FACTORY RESET:** Select [YES/NO] to restore factory settings



### 2. CCT MODE

By adjusting the light intensity and color temperature of the white light to achieve the desired light effect.



Press the [MODE key] to switch to the [CCT] mode turn the [rotary button ] to adjust the brightness, and turn the [rotary button ] to adjust the color temperature. Turn the [knob ] to adjust the green/magenta shift of the white light.

### 3. HSI MODE (H=hue, S=saturation, I=light intensity)

By adjusting the hue, saturation and light intensity to achieve the desired light effect.



Press [MODE key] to switch to [HSI] mode turn [knob ] to adjust brightness, turn [knob ] to adjust hue, and turn [knob ] to adjust color purity.

### 4. GEL MODE

Two types of colored papers, ROSCO and LEE, are provided. Each of the two colored papers has 30 colors. Different colors of colored paper can be selected for light effects.



Press the [MODE key] to switch to the [GEL] mode → press the [rotary button ] to enter the menu selection → turn the [rotary button ] to select the [Rosco] menu or the [LEE] menu → press the [knob ] to enter the selected menu → turn [Rotary button ] Select the color in the menu press the rotary button 'to enter the setting interface of the selected color → turn the [rotary button ] to adjust the brightness.

### 5. RGB MODE (R=RED,G=GREEN,B=BLUE)

To achieve the desired light effect by adjusting the ratio of red/green/blue.

Press [MODE key] to switch to [RGB] mode press [Knob] to switch [INT] adjustment / [RGB] adjustment.

When adjusting [RGB], turn the [Rotary button ] to adjust the parameters of [R], the [Rotary button ] to adjust the parameters of [G], and the [Rotary button ] to adjust the parameters of [B].



### 6. SOURCE MATCHING MODE

In the light source matching mode, select a light source from the light source menu to match the spectrum. There are 12 selectable light sources in total.

Press [MODE key] to switch to [SOURCE MATCHING] mode → press [rotation button ] to enter the menu →



rotate [rotation button ] to select the light type → press [rotation button ] to enter this type of adjustment interface → rotate [rotation button ] Adjust the brightness.



### 7. WHITE EFFECT MODE

White light effect mode, 8 white light effects can be selected.

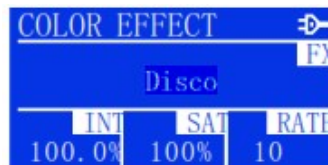
Press [MODE] to switch to [WHITE EFFECT] mode → turn [rotation button ] to select light type → press [rotation button ] to enter this type of adjustment → turn [rotation button ] to adjust brightness, turn [rotation button ] To adjust the color temperature, turn the [rotary button ] to adjust the frequency.



### 8. COLOR EFFECT MODE

Color effect mode, 4 optional color light effects.

Press [MODE key] to switch to [COLOR EFFECT] mode → Rotate [Rotary button ] Select the light type → press [Rotate button ] to enter this type of Adjustment → Turn [Rotary button ] to adjust the brightness, turn [Rotary button ] to adjustThe color is pure, turn the [rotation button ] to adjust the frequency.



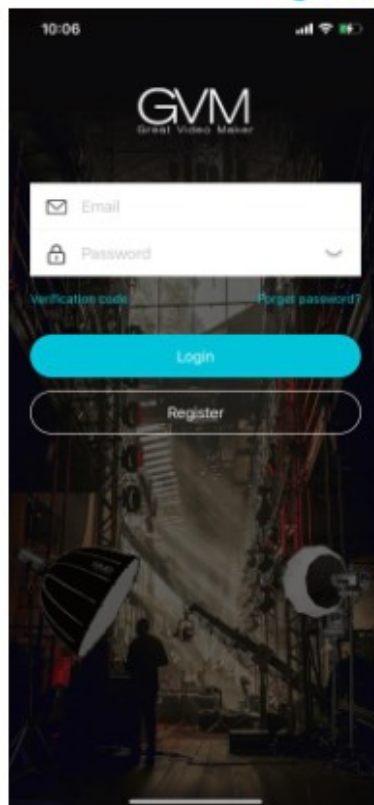
## APP CONTROL

### APP download method

Scan the QR code on the back of the manual to download the APP

Android version: official website QR code, Google Play, Huawei store, etc.

Figure 1



### Register an account

Use E-mail to register and log in (Figure 1);

There may be a delay in sending the verification code, and the delivery speed depends on the E-mail server you are using;

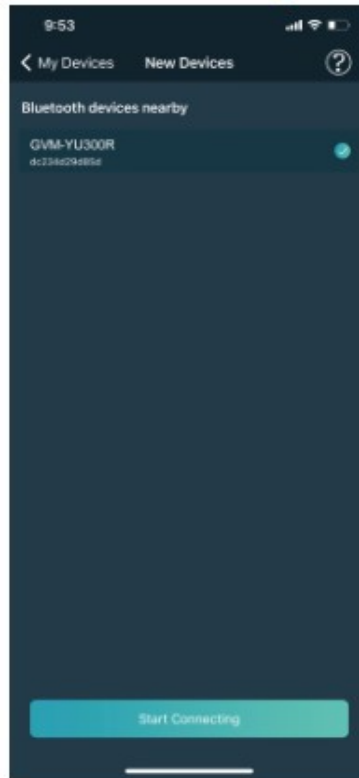
Some E-mail servers may recognize our verification code Mail as advertising. Please check your blocked E-mail inbox.

### Add device

1. Before adding a device, please make sure that you have turned on the Bluetooth and network data functions of your mobile phone, and reset the Bluetooth of the lighting device;
2. On the "My Devices" page, click the "Add Device" button, search for nearby Bluetooth lighting devices that have been turned on, and select the device that needs to be connected for network connection. (figure 2)

\* The Android system needs to enable location permission to use Mesh technology to connect to the device. During this process, we will not collect any of your location information.

Figure 2



## Equipment management

1. After successfully adding your lighting equipment, your equipment will be displayed in the “My Equipment” list;

Figure 3



## PRECAUTIONS

1. Please use the matching power cord to supply power to the product, and do not use non-original power adapters with different output voltage parameters to light up the product;

2. The product is not waterproof, please use it in a rain-proof environment;
3. The product is not anti-corrosion, do not let the product come into contact with any corrosive liquid;
4. When the product is in use, ensure that the product is placed firmly to prevent the product from being damaged by falling;
5. When the product is not used for a long time, please turn off the power of the product to save energy consumption.

## SIMPIE FAULTS AND TROUBLESHOOTING

Phenomenon	Check the product	Troubleshooting
The switch indicator does not light up	1. Whether the connection between the lamp and the power supply is normal.	Make sure the adapter is well contacted with the power plug.
	2. When using a lithium battery to supply power, make sure that the battery does not have "low battery" protection.	Use the product after charging the battery.
After the APP enters to add a device, the Bluetooth of the device cannot be searched.	Check whether the device is normally turned on and whether it has been bound by another person's connection.	Normal steps: 1. The mobile phone turns on the Bluetooth and network data functions, and the Android system needs to turn on the location permission; 2. Reset the device Bluetooth.
The App fails to connect to the network configuration of the device.	Check whether the device is turned on normally and whether it has been bound by another person's connection; check whether the Bluetooth and network conditions of the mobile phone are good.	After resetting the device's Bluetooth and restarting the App, try to connect again.
The device cannot be searched after being removed from the App.	Whether to remove the device when the device is offline or when the network condition is not good.	After resetting the device's Bluetooth, search and add the device again.
The device in the APP cannot be clicked to enter the control	Check whether the device is online (displays a small green dot); if it is offline, follow the steps for network connection failure to check.	Restart the device, wait for 5 seconds, and it can be controlled when it is displayed as online; reset the device's Bluetooth, and add the device to the device list again.

## PACKING LIST

Name	Quantity					Notes
	GVM-YU200R					
Photography light	1					
DMX line	1					
AC power cord	1					
Battery connection line	1					
Light control folding						Need to be purchased separately
Honeycomb board						Need to be purchased separately
Softbox						Need to be purchased separately
Instructions	1					



 <b>GVM Official website</b>	 <b>Facebook</b>	 <b>Download APP</b>
<a href="https://gvmled.com/">https://gvmled.com/</a>	<a href="https://www.facebook.com/GVMLED/">https://www.facebook.com/GVMLED/</a>	<a href="https://gvmled.com/pages/gvm-led-app">https://gvmled.com/pages/gvm-led-app</a>

Web: [www.gvmled.com](http://www.gvmled.com)  
 B&H Email: [bh@gvmled.com](mailto:bh@gvmled.com)  
 GVM Email: [support@gvmled.com](mailto:support@gvmled.com)  
 Amazon Email: [amazonsupport@gvmled.com](mailto:amazonsupport@gvmled.com)  
**Warehouse Add:** 4301 N Delaware ave, unit D. PHILADELPHIA, PA19137, USA

## Documents / Resources

	<a href="#">GVM GVM-YU200R Bi Color Studio Softlight LED Panel</a> [pdf] User Manual GVM-YU200R, Bi Color Studio Softlight LED Panel, GVM-YU200R Bi Color Studio Softlight LED Panel
---	---

## References

- <sup>GVM</sup> [GVM Lights Official Store - Great Video Maker - Video Lights](#)

Manuals+