

GEXUN

**PR9 Wireless
Signal Extender**



GEXUN PR9 Wireless Signal Extender Installation Guide

[Home](#) » [GEXUN](#) » GEXUN PR9 Wireless Signal Extender Installation Guide 

Contents

- [1 GEXUN PR9 Wireless Signal Extender](#)
- [2 Product Information](#)
- [3 Product Usage Instructions](#)
- [4 Indicator Light Instructions](#)
- [5 Working Mode Diagram](#)
- [6 Quick Operation Instruction](#)
- [7 Repeater Mode Setting](#)
- [8 AP Mode Setting](#)
- [9 Setup Via WPS Button](#)
- [10 FAQs](#)
- [11 Safety Information](#)
- [12 FCC Statement](#)
- [13 Documents / Resources](#)
 - [13.1 References](#)
- [14 Related Posts](#)

GEXUN

GEXUN PR9 Wireless Signal Extender



Product Information

Specifications

- Compliance: Part 15 of FCC Rules
- Operation Conditions: Avoid harmful interference
- Operating Distance: Maintain minimum 20cm separation between radiator and body

Product Usage Instructions

FCC Compliance

Ensure the device complies with FCC Rules and does not cause harmful interference. Follow the conditions specified in the user manual.

Installation

Properly orient or relocate the receiving antenna to optimize reception. Increase the separation between the equipment and receiver for optimal performance.

Power Connection

Connect the equipment to a power outlet on a circuit different from that of the receiver. This helps in reducing interference and maintaining proper operation.





Professional Assistance

If you encounter issues, consult the dealer or an experienced radio/TV technician for assistance. Do not attempt changes or modifications without approval.

Radiation Exposure

Ensure a minimum distance of 20cm between the radiator and your body during installation and operation to comply with FCC radiation exposure limits.

Indicator Light Instructions

Icon	Function	State
	Power indicator	The power indicator light is always on when the power is connected
	Signal indicator	The light is always on when the hotspot is working normally
	Repeater connection indicator	The indicator light is always on when the relay is successful
	Network port connection indicator	The indicator light is always on when the network cable is connected

WPS Button:

If your host router supports WPS, you can press the WPS button and then press the WPS button of the WiFi repeater to establish a secure connection between the host router and the WiFi repeater.

Reset Button:

This button is used to restore the factory default settings of the extender. With the extender on, use a reset pin/pin to press the small pinhole on the right at the bottom port of the extender.

Local Area Network Port:

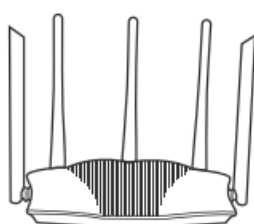
A network port can be used to connect an Ethernet-enabled device to a Wi-Fi network, or to a router, computer, game console, or switch.

Working Mode Diagram

Note: If a network cable is needed, please connect the network cable after setting up the extender. If the network cable is connected before referring to this diagram and setting up, it may not work properly.

Repeater Mode: As A Wireless Signal Extender

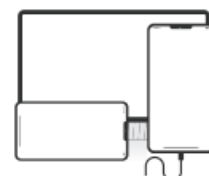
A. Extend your Wi-Fi signal without using any cables, reducing the hassle of wiring.



Router

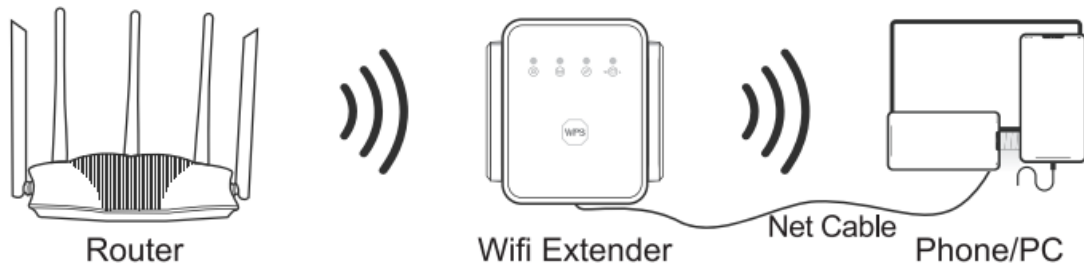


Wifi Extender



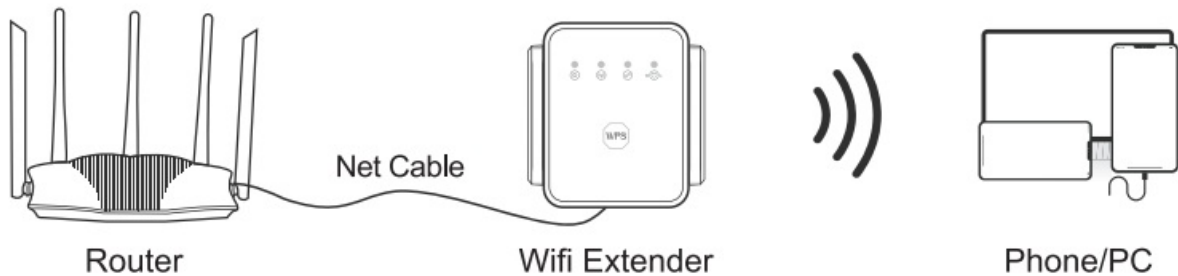
Phone/PC

B. Extend your Wi-Fi signal without using cables. Establish a stable connection between the PC and the extender through a cable.



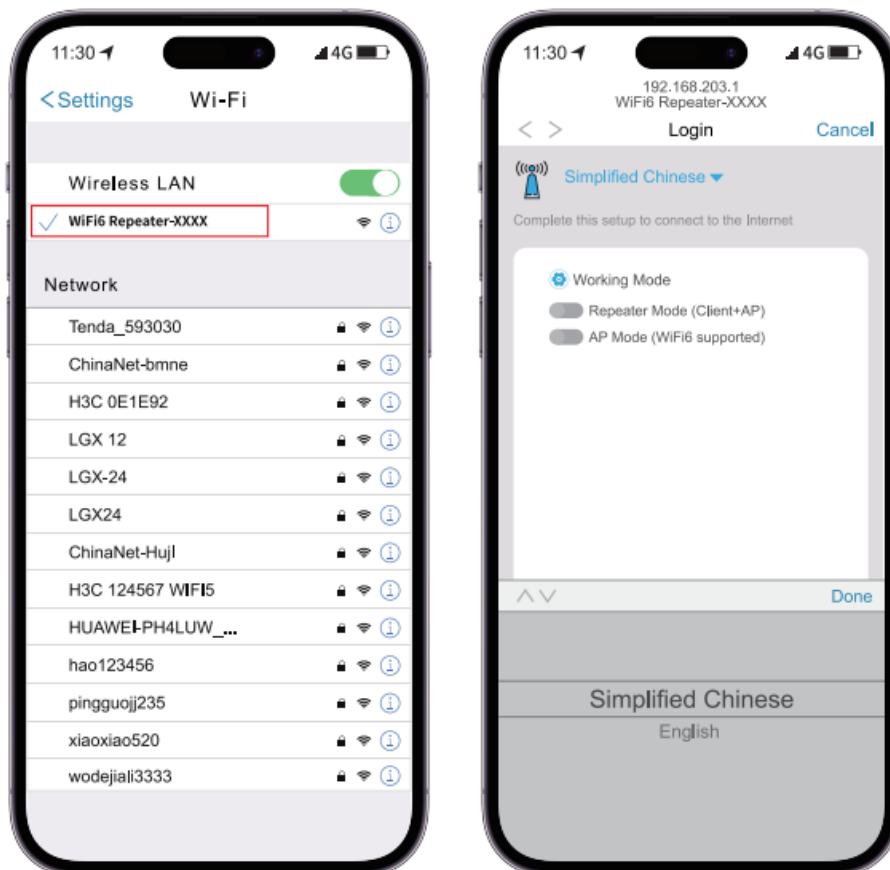
AP Mode: As A Wired Signal Extender (Access Point)

In the locations with weak WiFi signal, to obtain better WiFi speed, you can use an Ethernet cable to connect the router to the extender



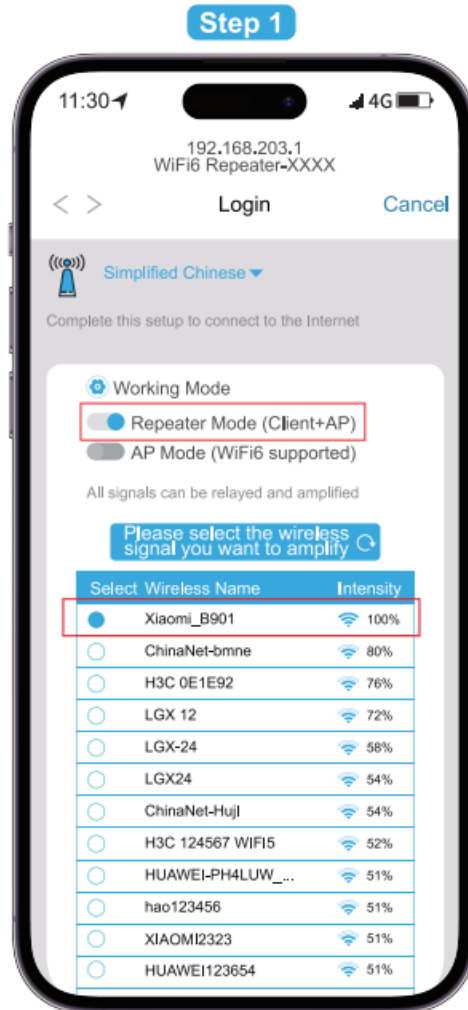
Quick Operation Instruction

When the machine is turned on, search for WiFi6 Repeater-XXXX through WiFi of the mobile phone or computer. After clicking the connection, it will automatically jump to the setting page After entering the administrator login interface, you can select the following language: Chinese (Simplified)



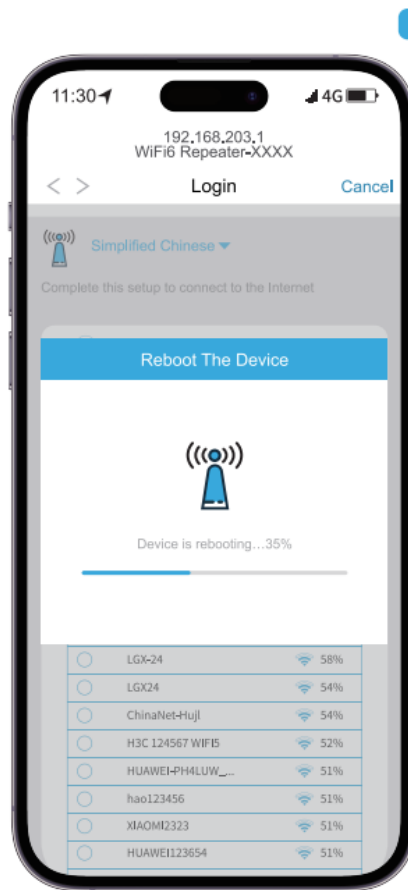
Repeater Mode Setting

Step 1: Select " Repeater Mode Configuration" and click on the wireless network that needs to be relayed



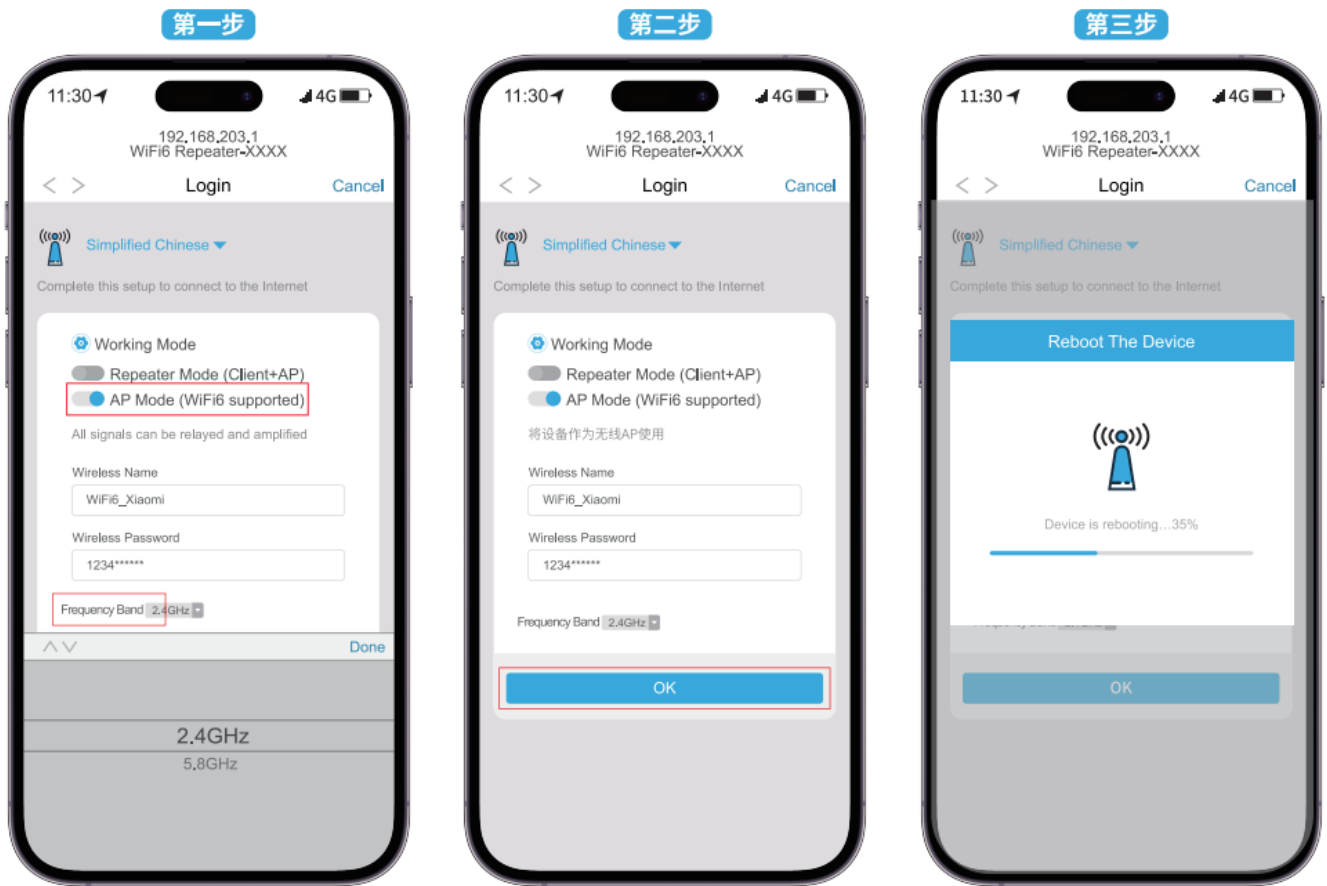
Step 2: Enter your router connection password and click "Connect" If you want to set the WIFI name to be different from the router, you can enter the new SSID name.

Step 3: Click the "Connect" button to complete the repeater mode configuration After completing the repeater mode setting, wait 30 seconds, WIFI extender automatically restart, or manually exit and re-open the WiFi search, find the set WiFi name to connect



AP Mode Setting

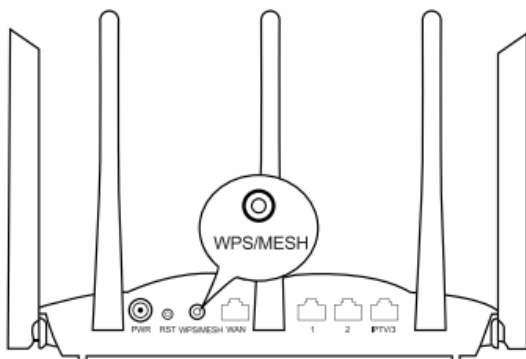
- Step 1: Select “AP Mode Configuration” then set “Wireless Name” & “Wireless Password” and select WiFi band
- Step 2: Select “AP Mode Configuration” then set the “Wireless Name” and “Wireless Password” select the WiFi band and click “OK”.
- Step 3: Wait for the device to load



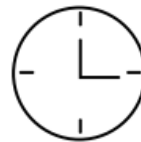
Setup Via WPS Button

This method is applicable when the router has a WPS button or supports Wi-Fi EasyMesh.

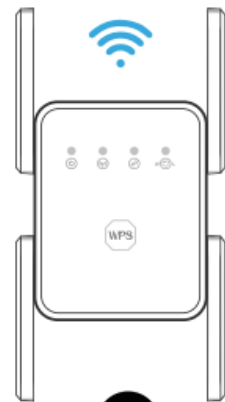
1. Press (1 to 3 seconds) the WPS button of the router to enable its WPS function.
2. After 2 minutes, press the WPS button of the extender (1 to 3 seconds). If the relay connection indicator is green and flashing quickly, the extension is in progress. If the reply connection indicator of the extender is steady on, the extension is successful.



1



2 minutes later



2

Adjust the Position of the Repeater

1. Adjust the position of the extender according to the following suggestions to obtain better extension effects
 - Place it between the router and the wireless coverage blind area (this position is still within the wireless coverage range of the router).
 - Keep away from microwave oven, induction cookers and refrigerator
 - Place it at a relatively high position from the ground and with few surrounding obstructions



FAQs

Q.1: How do I restore the extender to factory Settings?

After the extender is fully started, use a pointed object to press the small pinhole on the right side at the network port at the bottom of the extender for 1 to 3 seconds.

Question 2: What should I do if the repeater cannot find the wireless network to extend?

Please try the following solutions: • Verify that the phone is near the extender which can search for and connect to this wireless network. • Modify the router's wireless channel and try again. • Change the router encryption mode to WPA-PSK, WPA2-PSK, or WPA3-SAE, and then perform the operation again.

Q3: After the extension succeeds (the indicator is on), I cannot find the Wi-Fi name of the extender. What should I do?

- If you do not have a custom extender Wi-Fi name when extending, the extender Wi-Fi name may be

the same as the parent router, or the parent router Wi-Fi name EXT, after the extension is successful.

Q4: Why can't the device connected to the repeater obtain an IP address from the repeater and cannot access the Internet?

1: Perhaps wireless MAC filtering, wireless access control or access control lists are enabled on your upstream router. To solve this problem, please log in to your router and disable MAC address filtering, wireless access control or remove the control list. • 2: The repeater has not successfully connected to your router, please reset the repeater and reconfigure it. • 3: The IP address of the router is occupied, or the wireless device connected to the router has reached the limit, please restart the router, and then reset the repeater and reconfigure.

Safety Information

Before using and operating the device, read and observe the following precautions to ensure the stable performance of the device and avoid dangerous or illegal situations.

- This device is for safe indoor use only.
- Do not use this device in places where wireless devices are prohibited.
- Operating temperature: 0°C-40°C.
- The power plug acts as a device for disconnecting the power supply.
- Keep the device away from water, fire, strong electric and magnetic fields, and inflammable and explosive materials.
- During thunderstorms or when the device is not used for a long time, remove the power supply and all cables.
- Keep the device out of reach of children to prevent them from treating it as a toy and causing personal injury.
- Device access to the Internet may face network security problems, please strengthen the protection of personal information security.
- If the power plug is damaged, do not continue to use it. If the device emits smoke, abnormal sound, or odor, stop using the device immediately, disconnect the power supply, remove all cables connected to the device, and contact the after-sales service.
- Do not disassemble or modify the equipment and accessories without authorization, otherwise, the equipment and accessories will not be guaranteed and may be dangerous. Please be sure to dispose of the equipment and its accessories in accordance with local laws and regulations, and do not dispose of them as domestic garbage.
- In the event of a conflict between the contents of this Guide and applicable law, the provisions of law shall prevail.

FCC Statement

FCC Warning

This device complies with part 15 of the FCC Rules. Operation is subject to the following two conditions:

1. This device may not cause harmful interference, and
2. this device must accept any interference received, including interference that may cause undesired operation.

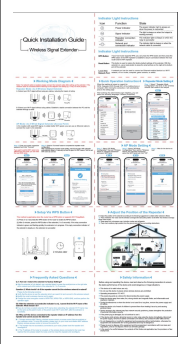
Any Changes or modifications not expressly approved by the party responsible for compliance could void the user's authority to operate the equipment.

Note: This equipment has been tested and found to comply with the limits for a Class B digital device, pursuant to part 15 of the FCC Rules. These limits are designed to provide reasonable protection against harmful interference in a residential installation. This equipment generates uses and can radiate radio frequency energy and, if not installed and used in accordance with the instructions, may cause harmful interference to radio communications. However, there is no guarantee that interference will not occur in a particular installation. If this equipment does cause harmful interference to radio or television reception, which can be determined by turning the equipment off and on, the user is encouraged to try to correct the interference by one or more of the following measures:

- Reorient or relocate the receiving antenna.
- Increase the separation between the equipment and the receiver.
- Connect the equipment into an outlet on a circuit different from that to which the receiver is connected.
- Consult the dealer or an experienced radio/TV technician for help.

This equipment complies with FCC radiation exposure limits set forth for an uncontrolled environment. This equipment should be installed and operated with minimum distance 20cm between the radiator & your body.

Documents / Resources

	<p>GEXUN PR9 Wireless Signal Extender [pdf] Installation Guide PR9, PR9 Wireless Signal Extender, Wireless Signal Extender, Signal Extender, Extender</p>
---	---

References

- [User Manual](#)

[Manuals+](#), [Privacy Policy](#)

This website is an independent publication and is neither affiliated with nor endorsed by any of the trademark owners. The "Bluetooth®" word mark and logos are registered trademarks owned by Bluetooth SIG, Inc. The "Wi-Fi®" word mark and logos are registered trademarks owned by the Wi-Fi Alliance. Any use of these marks on this website does not imply any affiliation with or endorsement.