

[Skip to content](#)

## **Manuals+**

User Manuals Simplified.



# FLEX UnderCover Hard Folding Cover User Guide

Home » [FLEX](#) » FLEX UnderCover Hard Folding Cover User Guide 

# FLEX

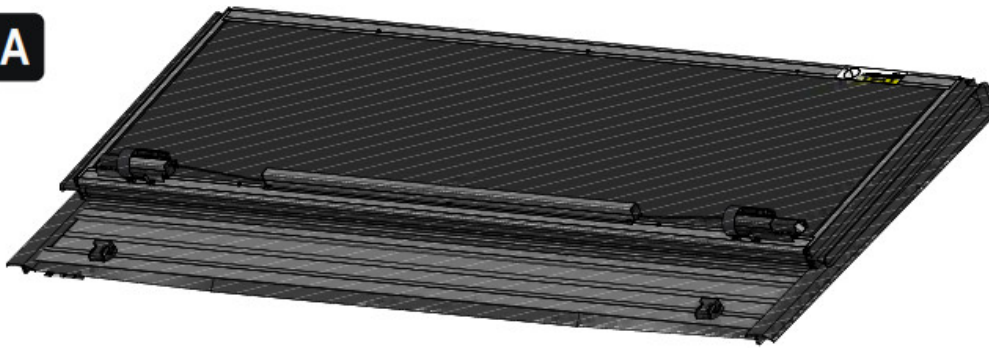
## QUICK START INSTALL GUIDE

### Contents [ [hide](#) ]

- [1 Install Parts Check List](#)
- [2 Attach Side Mounting Rails](#)
- [3 Install Cover](#)
- [4 Unfold Cover and Adjust](#)
- [5 Fold Cover up to Attach](#)
- [6 Attach Cover/Drain Tubes](#)
- [7 File Downloads](#)
- [8 References](#)
- [9 Related Manuals](#)

## Install Parts Check List

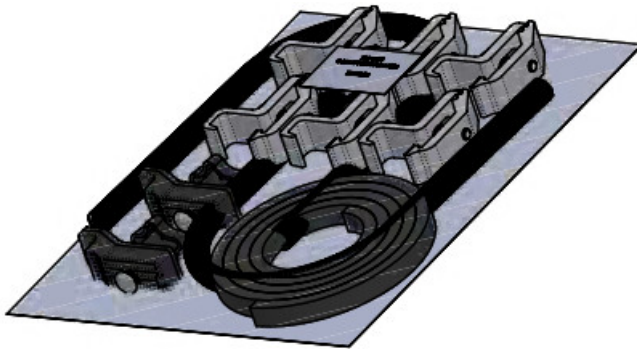
A: Flex hard folding cover

**A**

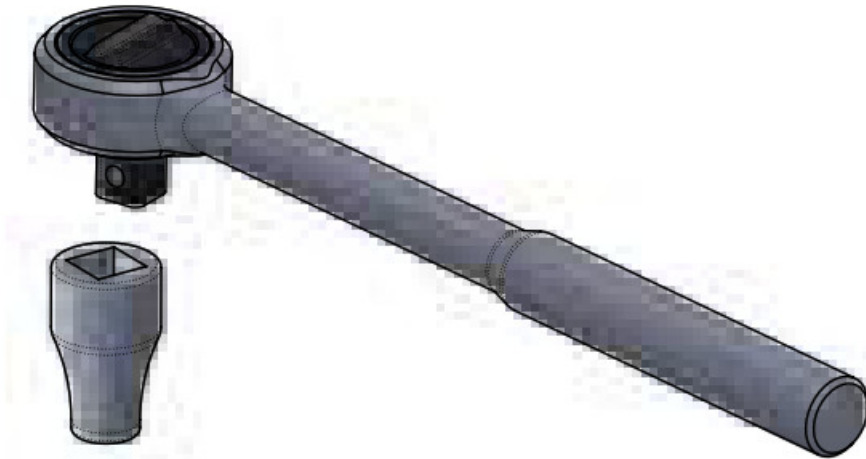
B: Side mounting rails, left and right (pre- assembled)

**B**

C: Hardware bag & Drain tubes (2)

**C**

**Tools Needed:**

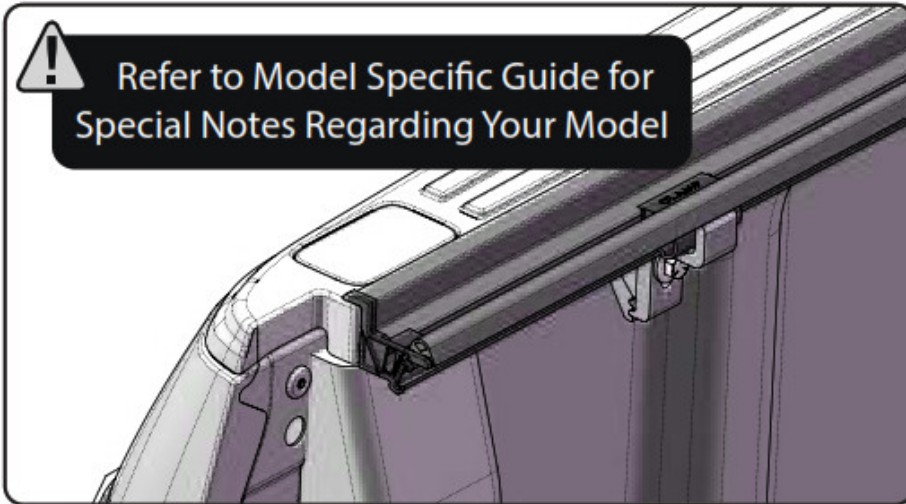
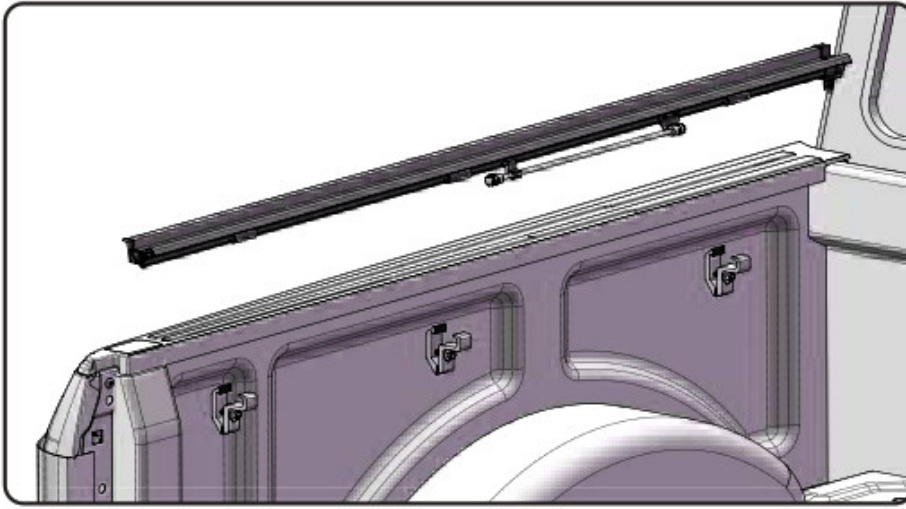


1/2" wrench or socket

**Note:** The Flex was designed from trucks that do not have plastic bed liners, some minor trimming may be required to allow the cover to fit properly.

### **Attach Side Mounting Rails**

Attach both side rails to the truck bed. The rails are left and right specific and have been pre-assembled for your convenience. Note: Refer to the Model Specific Guide for more specific instructions on clamping the rails to the truck.



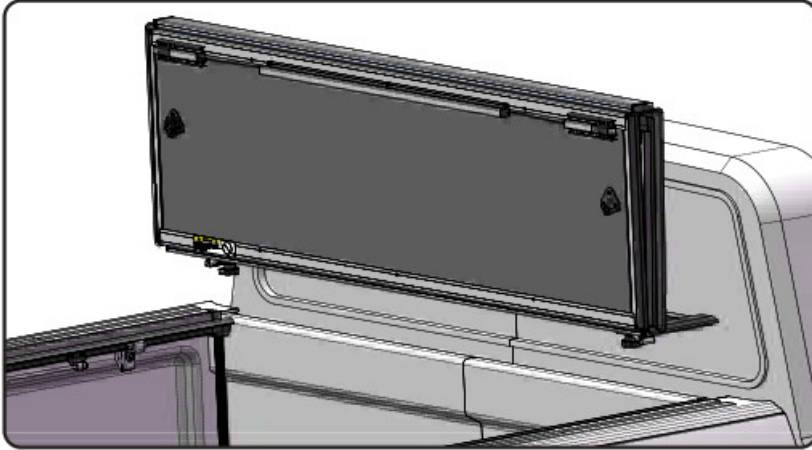
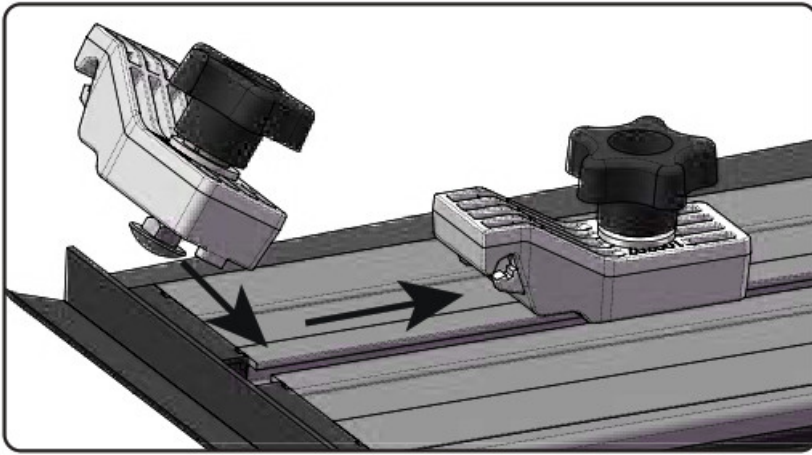
Do not overtighten the clamp

assembly.

Clamps must be checked periodically for tightness.

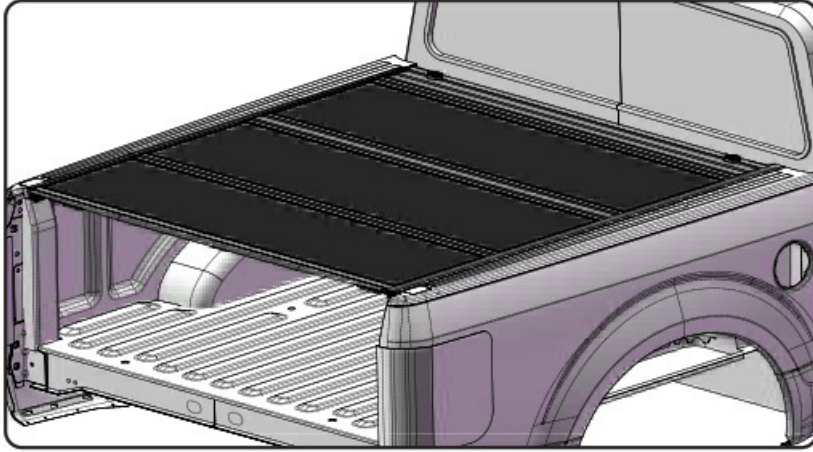
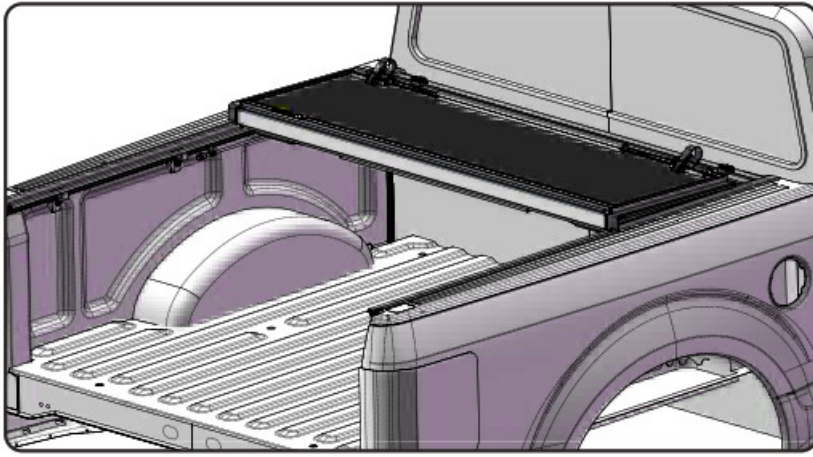
### **Install Cover**

Slide the two front mounting bolts into the track on the underside of the Flex tonneau cover, one on each side. Place the Flex tonneau onto the mounting rails with the smallest panel towards the cab of the truck and with the front flap covering the bulkhead (front rail of the bed).



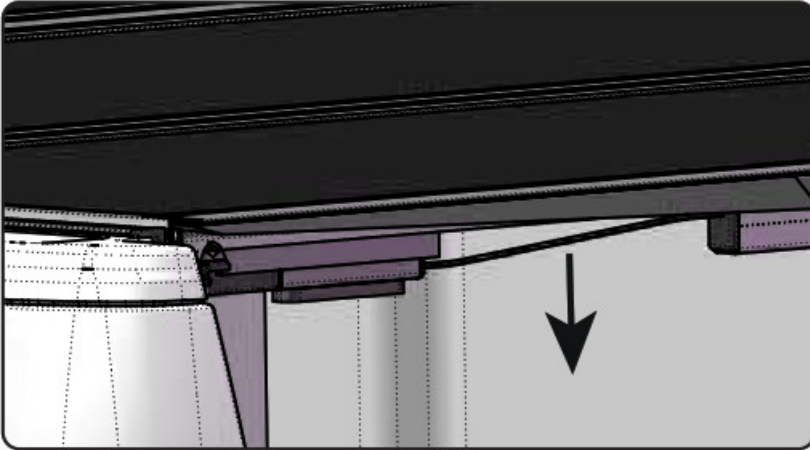
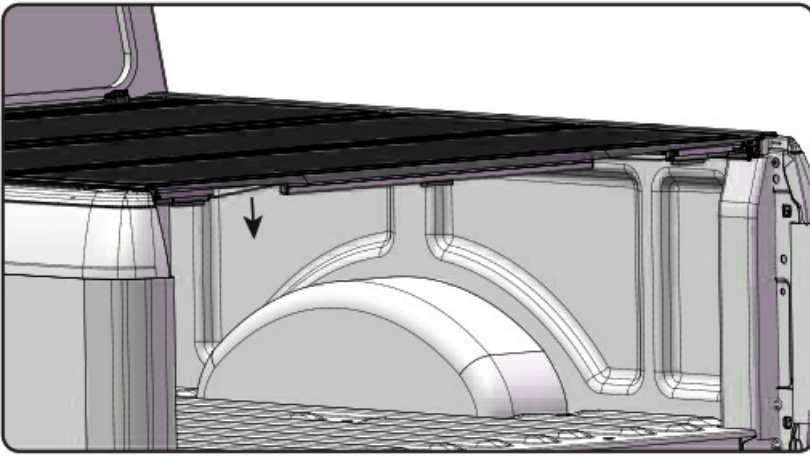
### **Unfold Cover and Adjust**

Carefully unfold the cover. Unfold each panel and position it so it is centered side to side and front to back on the truck bed. Test the rearmost latching assembly for smooth operation as this is the best indicator of the cover is positioned correctly. Be sure the latches on both sides are engaging with the cover mounting rail. Note: If your truck is equipped with a tailgate protector, you may need to slightly raise the rear of the side mounting rails for the latches to engage properly.



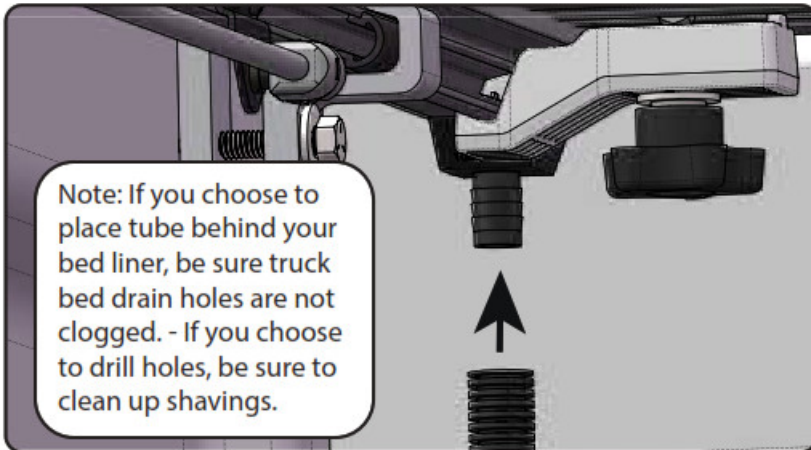
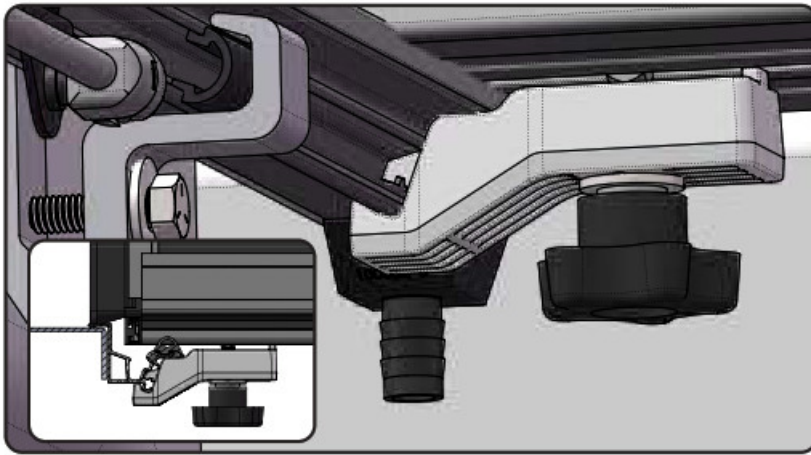
### **Fold Cover up to Attach**

Once the cover is located correctly, fold the cover-up to the open position. Pull the release cables on each of the three panels to release it from the side rail. Take care to fold it gently so the position of the cover is not disturbed. Note: You can temporarily lean the cover against the cab to attach mounting hardware.



### **Attach Cover/Drain Tubes**

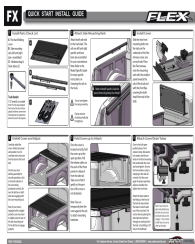
Once in the fully open position place a front retainer clamp, flat washer, lock washer and the star knob on the front mounting bolt underneath the cover and hand tighten. Be sure the front retainer clamp is clamping to the side rail correctly. Test the cover again for proper operation, adjust as needed, then tighten the star knobs. Attach the drain tubes to the fittings at the front of the bed rail and position the tubes to divert water out of the truck bed. This can be done by placing the tube behind a bed liner, through an existing hole in the bed, or by drilling a 5/8" hole in the bulkhead.



For Customer Service, Contact UnderCover Directly | (866) 900-8800 | [www.undercoverinfo.com](http://www.undercoverinfo.com)



## File Downloads



User Guide [Download](#) [optimized]  
 FX5100QS, UnderCover Hard Folding Cover [Download](#)

## References

- [undercoverinfo.com](http://www.undercoverinfo.com)

## Related Manuals

1. [ZooMe Flex Folding Travel Scooter User Manual](#) ZooMe Flex Folding Travel Scooter User Manual – Download [optimized]...
2. [Bowers Wilkins Formation Flex User Guide](#) Bowers Wilkins Formation Flex User Guide Welcome to Bowers &...
3. [INSIGNIA NS-P10A8100 10.1" Flex Tablet for Android User Guide](#) INSIGNIA NS-P10A8100 10.1" Flex Tablet for Android User Guide –...
4. [amazonbasics Double Door Folding Metal Dog Crate User Guide](#) Double Door Folding Metal Dog Crate B018YCTX6M Welcome Guide Cleaning...

5. [Fitbit Flex User Manual](#) Fitbit Flex User Manual User Manual Version 1.1 Getting...
6. [Lenovo IdeaPad FLEX Series User Manual](#) Lenovo IdeaPad FLEX Series User Manual – Optimized PDF Lenovo...