



FINEDAY FD-BKEY02 Retro Mechanical Bluetooth Keyboard User Manual

[Home](#) » [FINEDAY](#) » FINEDAY FD-BKEY02 Retro Mechanical Bluetooth Keyboard User Manual 

Contents

- [1 FINEDAY FD-BKEY02 Retro Mechanical Bluetooth Keyboard](#)
- [2 Precautions for safety](#)
- [3 Please read before you think it's broken](#)
- [4 Name of each part](#)
- [5 How to use wire / wireless mode](#)
- [6 Pairing method](#)
- [7 How to pair more than 2 wireless devices](#)
- [8 Shortcut key](#)
- [9 Precautions for the use of left lever](#)
- [10 FCC STATMENT](#)
- [11 Documents / Resources](#)
- [12 Related Posts](#)

FINEDAY

FINEDAY FD-BKEY02 Retro Mechanical Bluetooth Keyboard



Precautions for safety

Thank you very much for purchasing the product. Please read the manual before using it for safe and correct use of the product. (Please use the enclosed USB cable)

- Keep enough distance from the electric heater.
Heat can deform, damage, or explode the product.
- Be careful not to damage the product.
 - Storage at too high or too low temperature may break the product down.
 - Prolonged exposure to direct sunlight, high or low temperatures can deform or damage the product.
- Please do not arbitrarily disassemble the mechanical key switch.
Random replacement and disassembly of the shaft switch may cause product failure or damage.

Please read before you think it's broken

Bluetooth pairing does not work.

If the fourth indicator LED does not blink even after turning on the wireless mode button and pressing the pairing key, please turn OFF the wireless mode button and turn it ON to try pairing. Also, check if there is a smart device that has already been paired. If there is a device that is already connected, please delete FINEDAY K2 on your wireless device, refer to pages 8-9 of the manual and try again.

The keys respond slowly or the Bluetooth connection has been lost.

When your PC or smart device runs out of resources, the response speed can be slow. In this case, close unnecessary programs (or apps) running before use. If there is an obstacle between the keyboard and the device, the distance to be used will be reduced, and the response speed may be slow or cut off depending on the environment. In this case, please use it by shortening the distance or avoid large obstacles that may obstruct the signal. Also, when using a battery, the same symptoms may occur if the battery is low, so please check the battery or connect it with a USB cable.

Keys are not responding.

The keyboard may be locked if the key does not respond to wireless/wireless connection after opening the product. In this case, please press the keyboard lock shortcut FN+F11 to unlock it. When the window key is not working, press the FN key and press the window key to unlock the lock function and use it. This product supports Windows/ Androids/IOS, but some keys may not work depending on the operating system and smart device. Please check page 10 for more shortcut keys.

Devices that have been paired once are automatically paired.

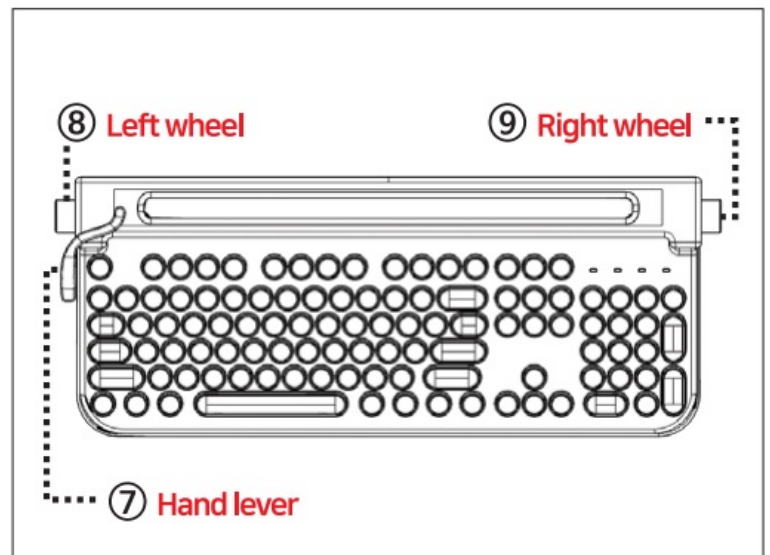
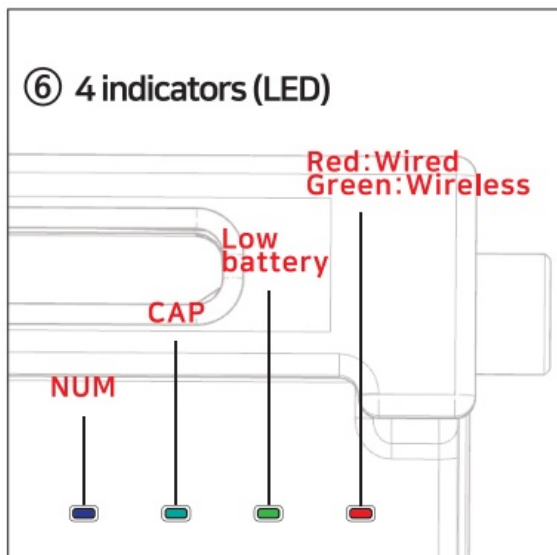
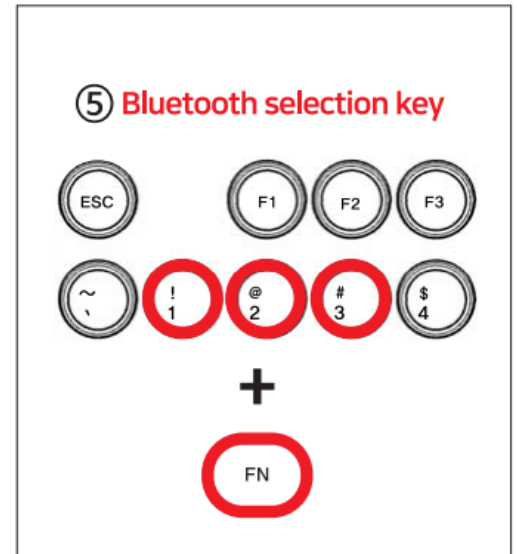
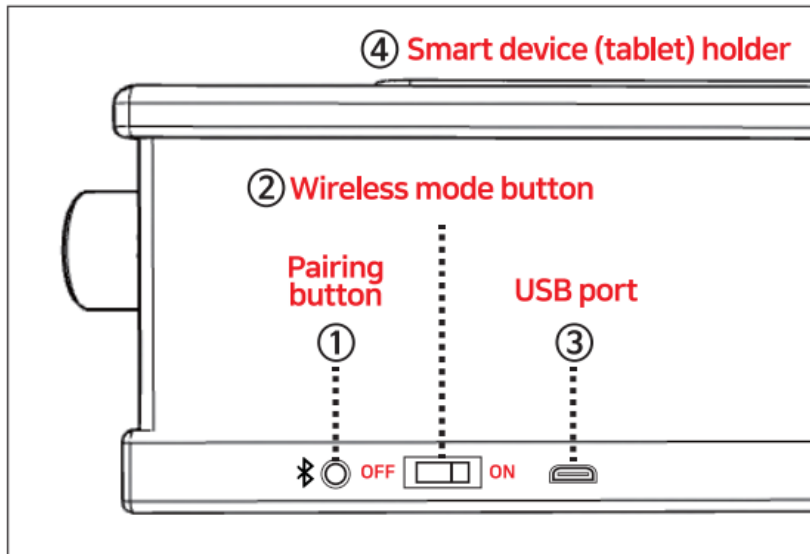
It will automatically connect without having to re-pair after turning off Bluetooth, turning off the keyboard, or when reconnecting the next day. However, you must first turn on the Bluetooth function of the wireless device. It does not matter if the wireless device's Bluetooth function is turned on continuously. When the keyboard wireless mode is off, turn on the Bluetooth function and then turn on the keyboard wireless mode switch. Without having to re-select FINEDAY K2 in Bluetooth settings, the 4th indicator LED will illuminate if the wireless mode button is ON. It will be blinking and automatically connected after 3-4 second. With Bluetooth on, simply turn on the wireless mode switch on the keyboard. However, you have to wait for a while for the wireless mode to turn on and auto-pairing. (About 5 seconds)

About power saving mode.

In the case of use in wireless mode, it automatically switches to power saving mode after about 5 minutes if there

is no other action, such as text input. When used in wired mode, it switches to power-saving mode by synchronizing with the connected PC. If you want to release the power-saving mode, the pairing will be disconnected for a while, but pressing any key will automatically connect to the wireless device again. In this case, there is a delay of about 5 seconds because the wireless mode needs to be turned on. After a while, the wireless mode indicator (LED) turns on, flashes, and automatically connects when the pairing is completed.

Name of each part



1. Pairing button
2. Wireless mode button
ON wireless mode/ OFF wired mode
3. USB port
Used in wired mode
4. Smart device (tablet) holder
5. Bluetooth selection key
Select a smart device. (3 can be connected) [FN]+1 ! / [FN]+2@ / [FN]+3#
6. 4 indicators (LED)
 - First [NUM mode indicator]
 - Second [CAP mode indicator]
 - Third [Low battery indicator]
 - Forth [Red: Wired mode / Green: Wireless mode •]

7. Hand lever

Pressing the hand lever from left to right works as the Enter key. Please note that it can be damaged if pressed hard by applying excessive force in the opposite direction or up and down.

8. Left wheel

You can adjust the brightness of the LED by turning the wheel.

9. Right wheel

You can adjust the volume of the paired device.

How to use wire / wireless mode

When using wired mode (OFF) and wireless mode (ON) at the same time It is convenient to use wired/wireless at the same time if you use it after connecting in wireless mode before use. It takes time for wired/wireless recognition when switching wired/wireless mode by using shortcut key [FN] + [TAB].

1. If you are using wired mode (OFF) and want to use wireless mode (ON)

When using wired mode (OFF), it cannot be switched to wireless mode (ON). Turn the wireless mode button ON. (The shortcut key for wired/wireless mode conversion is FN + TAB.)

2. If you are using wireless mode (ON) and want to use wired mode (OFF)

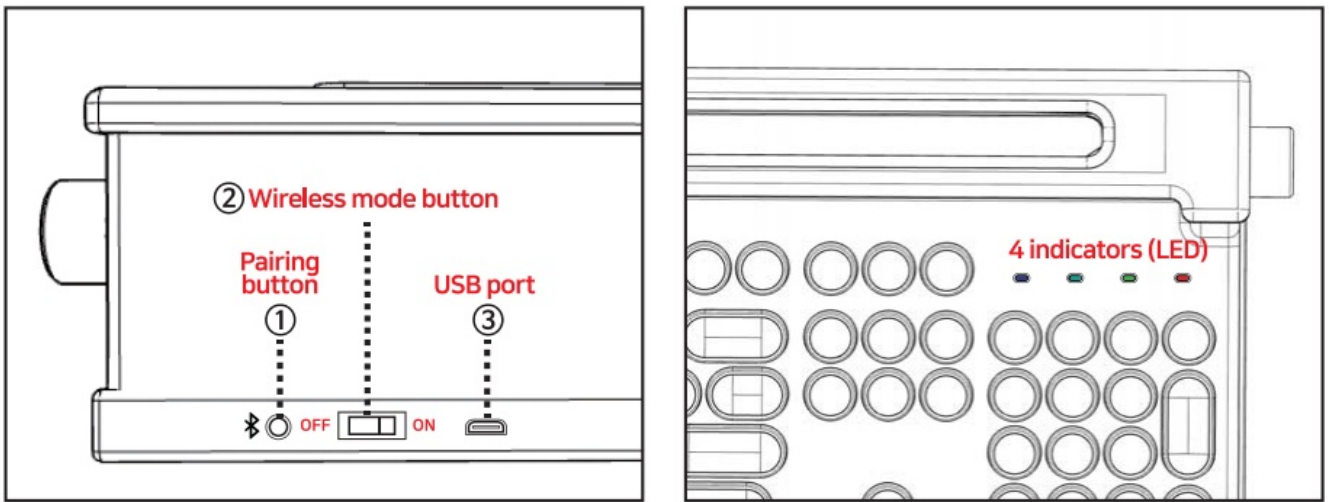
When using the wireless mode (ON), you only need to connect the USB cable. There is no need to move the button. (The shortcut key for wired/wireless mode conversion is FN + TAB.)

Pairing method

Please be sure to follow the procedure

(Depending on the type and environment of the wireless device in use, the message displayed on the screen of the wireless device may be different, but the basic order is the same.)

1. Turn on the Bluetooth function of the wireless device.
2. Turn on the wireless mode switch on the FINEDAY keyboard. (ON)
3. Make sure the wireless mode activity LED indicator is on. (The fourth green LED indicator)
4. Press the pairing button for 5-8 seconds.
5. Check if the wireless mode activity LED is blinking.
6. Search on your wireless device.
7. Find and click FINEDAY K2.
8. The registration complete indication appears and pairing is complete.



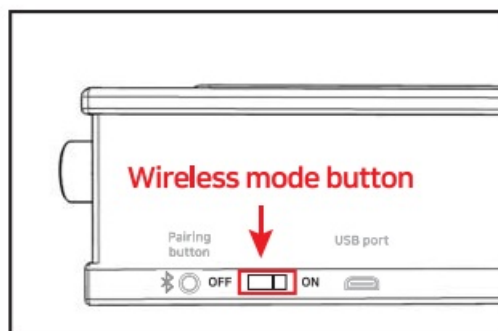
How to pair more than 2 wireless devices

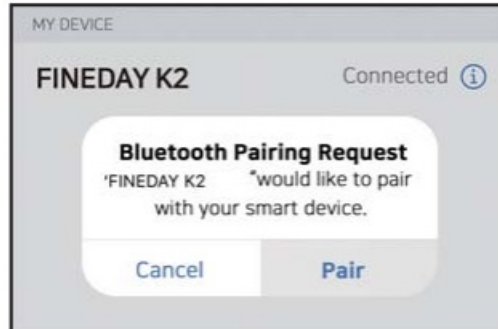
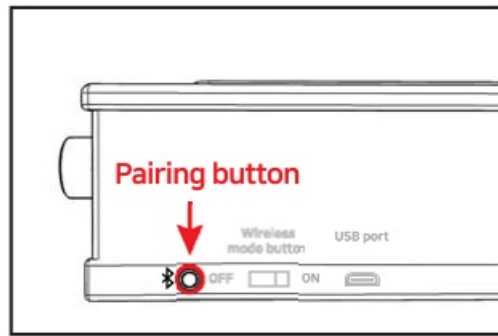
Please understand that the pairing connection method and sequence may be different depending on the operating system and environment of your smart device in use.

Important

Please check if the 4th LED indicator is green •• (Convert yo green by FN + TAB if the indicator is red)

Connection of the 1st wireless device





1. **Bluetooth function ON**

Turn on the Bluetooth function of the first smart device you want to connect. (Up to 3 can be supported)

2. **Turn ON the wireless mode button on the back of the keyboard**

The fourth LED light on the top right of the FINEDAY keyboard flashes green

3. **Connect to the 1st wireless device by FN+ 1**

Hold down the FN key first and then press the number 1.

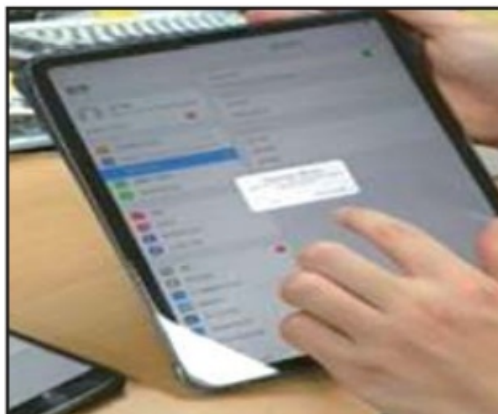
4. **Pairing Button ON**

Press the pairing button for 5-8 seconds on the back of the keyboard

5. **FINEDAY K2 connection**

When connected by clicking FINEDAY K2 on the smart device, the first device is registered to FN+1.

Connection of the 2nd wireless device



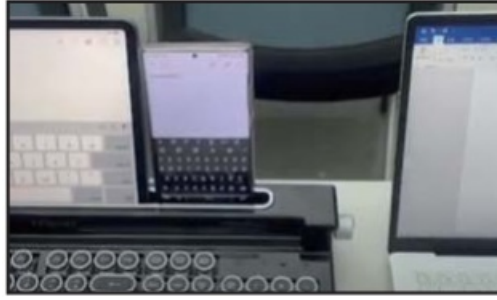
1. Turn on the Bluetooth function of the second smart device you want to connect.

2. While holding down the FN key first, slowly press the number 2.

3. Press the pairing button for 5-8 seconds on the back of the keyboard.

4. When connected by clicking FINEDAY K2 on the smart device, the second device is registered to FN+ 2.

Connection of the 3rd wireless device

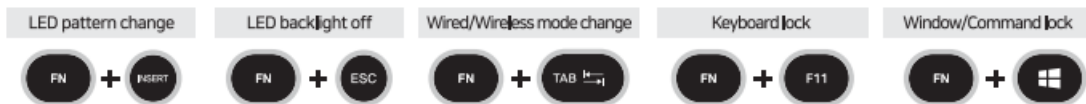


You can register the third device to [FN+ 3] in the same way. Press [FN+ 1] if you want to use the first device, and you can switch to the second device by pressing [FN+2].

Shortcut key

Shortcut key

Common shortcut keys (When using shortcut keys, you must press them in order.)



	Window	iOS	Mac
Language conversion	ALT	CAPS LOCK / CTRL + SPACE	
CAPS LOCK	CAPS LOCK	SHIFT	Windows key + CAPS LOCK
Right click	Right-click button	X	X
PRTSYSRQ	PRTSYSRQ	X	X
SCROLLLOCK	SCROLL LOCK	X	X
PAUSEBREAK	PAUSE BREAK	X	X
INSERT	INSERT	X	X
HOME	HOME	X	HOME
END	END	X	END
① NUM mode indicator	○	X	X
② CAP mode indicator	○	X	X
③ Low battery indicator	○	○	○
④ Wired/wireless mode indicator	○	○	○

Precautions for the use of left lever



Precautions

If you press the lever slightly to the 'right', it makes a clicking sound. Please note that it can be damaged if pressed hard by applying excessive force in the opposite direction or up and down.

FCC STATEMENT

Any Changes or modifications not expressly approved by the party responsible for compliance could void the user's authority to operate the equipment.

Note:

This equipment has been tested and found to comply with the limits for a Class B digital device, pursuant to part 15 of the FCC Rules. These limits are designed to provide reasonable protection against harmful interference in a residential installation. This equipment generates uses and can radiate radio frequency energy and, if not installed and used in accordance with the instructions, may cause harmful interference to radio communications. However, there is no guarantee that interference will not occur in a particular installation. If this equipment does cause harmful interference to radio or television reception, which can be determined by turning the equipment off and on, the user is encouraged to try to correct the interference by one or more of the following measures:

- Reorient or relocate the receiving antenna.
- Increase the separation between the equipment and receiver.
- Connect the equipment into an outlet on a circuit different from that to which the receiver is connected.
- Consult the dealer or an experienced radio/TV technician for help.

The device has been evaluated to meet general RF exposure requirements. The device can be used in portable exposure conditions without restriction. This device complies with part 15 of the FCC Rules. Operation is subject to the following two conditions: (1) This device may not cause harmful interference, and (2) this device must accept any interference received, including interference that may cause undesired operation.

Documents / Resources



[FINEDAY FD-BKEY02 Retro Mechanical Bluetooth Keyboard](#) [pdf] User Manual
2A7SPFINEDAY, FD-BKEY02, Retro Mechanical Bluetooth Keyboard, FD-BKEY02 Retro Mechanical Bluetooth Keyboard