



Extron SW4 Four Input HDMI Switcher User Guide

[Home](#) » [Extron](#) » Extron SW4 Four Input HDMI Switcher User Guide 

Contents

- [1 Extron SW4 Four Input HDMI Switcher](#)
- [2 Setup Guide](#)
- [3 Rear Panel Features and Connections](#)
- [4 Installation Steps](#)
- [5 Front Panel Features](#)
- [6 Documents / Resources](#)
 - [6.1 References](#)
- [7 Related Posts](#)

Extron

Extron SW4 Four Input HDMI Switcher



Setup Guide

The SW USB Pro Series switchers make it possible for two or four host computers to share and switch among up to four peripheral USB devices, such as USB storage devices, USB cameras, keyboards, and mice. The switchers support USB 3.2, 2.0, and 1.x host and peripheral devices, with data rates up to 10 Gbps. They are compatible with all major computer operating systems.

The SW USB Pro Series provide control via front panel buttons, USB, Extron Product Control Software (PCS), Ethernet, RS-232, and auto-switching for integration with any control system. Front panel LED indicators provide immediate visual confirmation of signal presence for each input and output.

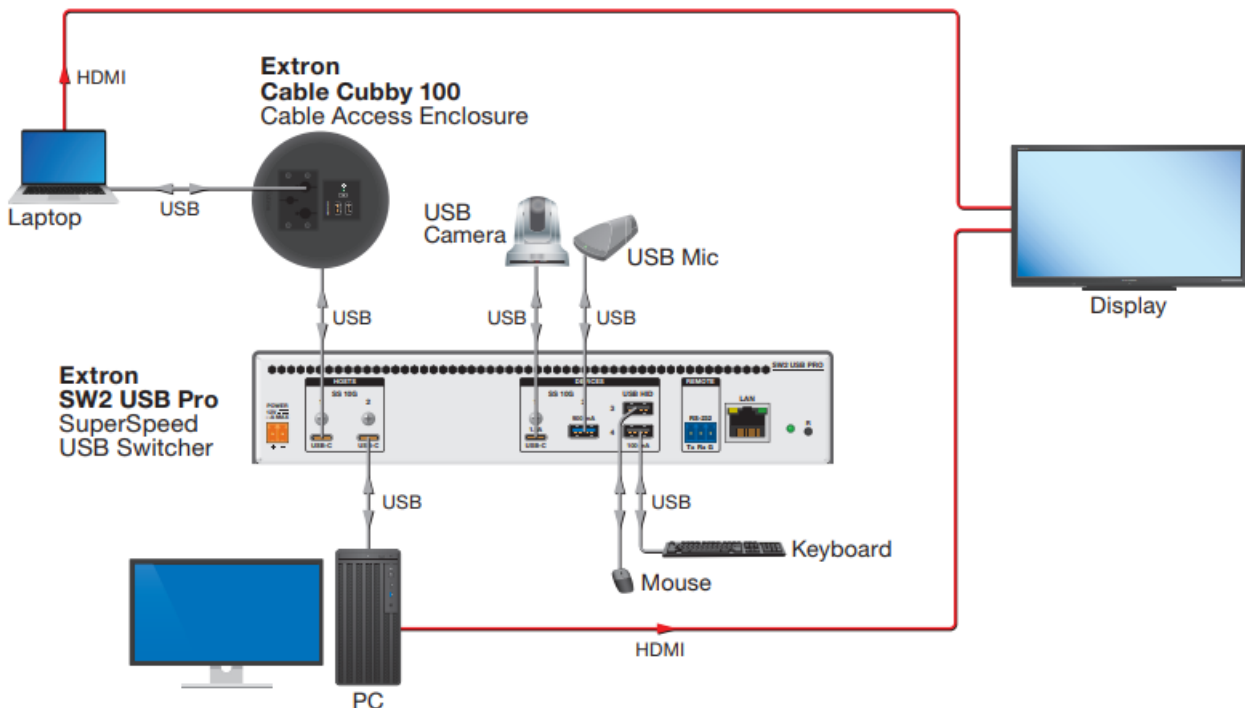


Figure 1. Application Diagram

Figure 1. Application Diagram

This guide provides instructions for an experienced installer to set up and operate these switchers. For full installation, configuration, and operation details, see the SW USB Pro Series User Guide, available at

Rear Panel Features and Connections

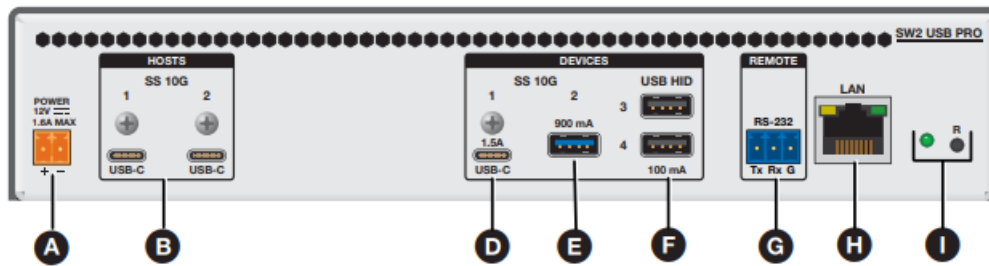


Figure 2. Rear Panel – SW2 USB Pro

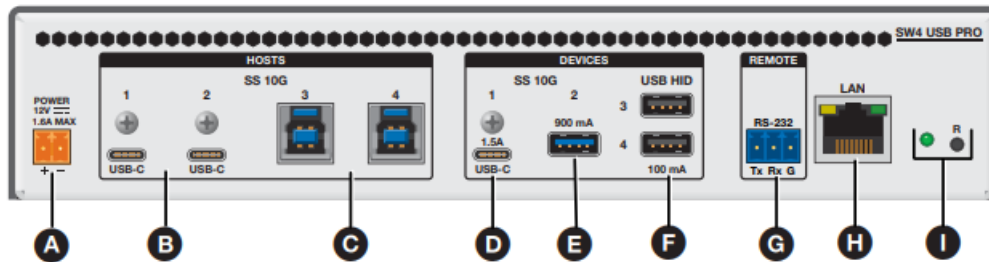


Figure 3. Rear Panel – SW4 USB Pro

- A. 2-pole DC Power connector
- B USB-C host connectors
- C USB Type B host connectors (SW4 USB Pro only)
- D Device 1 — USB-C connector for USB 3.2, 2.0, and 1.x
- E Device 2 — USB Type A connector for USB 3.2, 2.0, and 1.x
- F Outputs 3 and 4 — USB Type A connectors for USB 2.0 and 1.x
- G Remote RS-232 port
- H LAN (Ethernet) connector
- I Reset (R) button and LED

Installation Steps

1. (Optional) Mount the switcher to a rack shelf or furniture.
2. Connect host PCs to the SW USB Pro USB-C input connectors (see figure 2 or 3, B). The USB-C host connectors do not provide power to the connected host PCs.
3. Connect one or more peripheral USB devices (for example, keyboards, mice, or USB cameras) to the SW USB Pro output device ports (D through F).
If host emulation will be used, attach a standard keyboard or mouse to USB host port 3 or 4 (C). If host emulation is not used, connect devices to any desired port.
4. (Optional) Connect an RS-232 cable between the SW USB Pro RS-232 port (G) and a host computer or control system, or connect the SW USB Pro Ethernet port (H) to the network via a standard Ethernet cable (see the SW USB Pro Series User Guide, available at www.extron.com).

Default LAN settings:

- Rear panel LAN IP address — 192.168.254.254
- Front Panel USB-C port IP address — 203.0.113.22 at port 22023

- Subnet mask: 255.255.255.0
 - Gateway: 0.0.0.0
 - DNS: 0.0.0.0
 - Username: admin
 - Password: The product unit serial number. If an absolute system reset is performed, all passwords on this device are reset to extron.
 - **NOTES:** The computer used for RS-232 control should not be one of the host devices connected to any of the input ports.
 - The LAN IP address can be changed, however, the USB-C port IP address is fixed at 203.0.113.22 and cannot be changed.
5. Connect the included power supply to the switcher power connector (see figures 2 and 4, A).
 6. (Optional) Configure the switcher using PCS as necessary for functions such as autoswitching, front panel lock mode, and emulation (see the SW USB Pro Help File within PCS, available at www.extron.com).
 7. Power on the host devices. The switcher is now ready for operation.

Front Panel Features

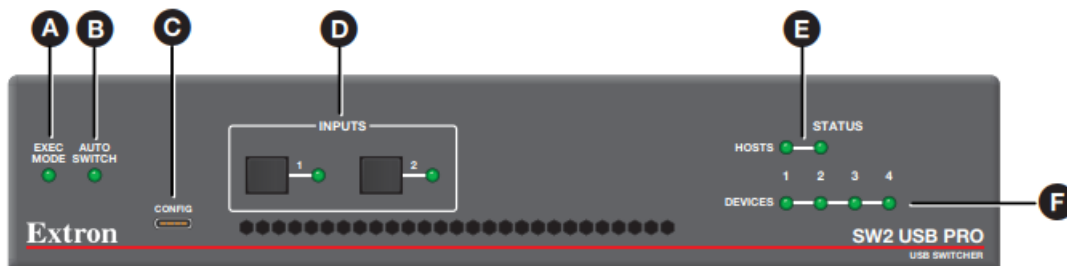


Figure 4. Front Panel – SW2 USB Pro

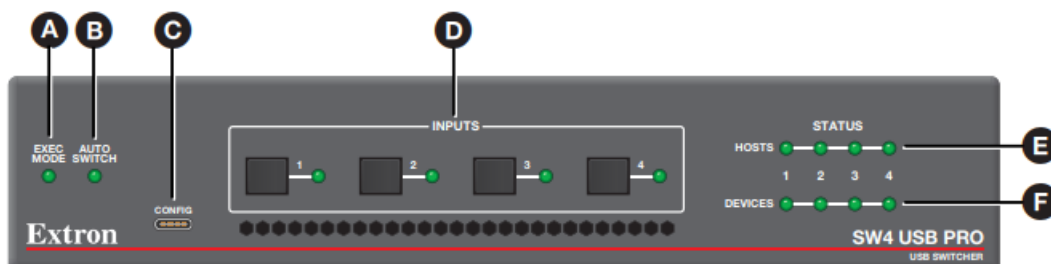


Figure 5. Front Panel – SW4 USB Pro

- A Exec Mode LED
- B Auto Switch LED
- C USB Config port
- D Input selection buttons and LEDs
- E Host LEDs
- F Device LEDs

1. **Exec Mode LED** — Lights when front panel lock mode has been enabled. This can be configured via PCS or SIS commands.
2. **Auto Switch LED** — Lights when auto-switching is enabled. This can be configured via PCS or SIS

commands.

3. **USB Config port** — Connect a USB cable (USB Type A to USB-C) between a computer or control system and this female USB-C port to configure the switcher via SIS commands or PCS, and to update the firmware. This USB-C port uses IP over USB communication. The port IP address is 203.0.113.22 at port 22023.
4. **Input selection buttons and LEDs** — Press one of these buttons to select an input to switch to the output. The LED at the right of each button lights when the corresponding input is selected. If auto-switching is in effect, these input selection buttons are disabled, but the LEDs continue to light to indicate the selected input. The input buttons are also used to initiate a system reset and to enable and disable front panel lockout (see the SW USB Pro Series User Guide for more information).
5. **Host status LEDs** — Light if a host is connected to the corresponding host port, whether or not the input is currently selected.
6. **Device status LEDs** — Light when a peripheral device is connected to the corresponding device port and has been enabled by the selected host.

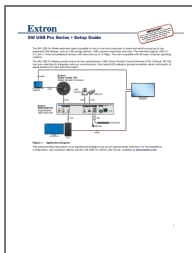
For information on safety guidelines, regulatory compliances, EMI/EMF compatibility, accessibility, and related topics, see the Extron Safety and Regulatory Compliance Guide on the Extron website.

© 2021 Extron — All rights reserved. www.extron.com

All trademarks mentioned are the property of their respective owners.

Worldwide Headquarters: Extron USA West, 1025 E. Ball Road, Anaheim, CA 92805, 800.633.9876

Documents / Resources



[Extron SW4 Four Input HDMI Switcher](#) [pdf] User Guide
SW4, Four Input HDMI Switcher, Input HDMI Switcher, HDMI Switcher, SW4, Switcher

References

- [Extron - The AV Technology Leader](#)