

## escea DS Series Double to Single Sided Conversion Kit Instruction Manual

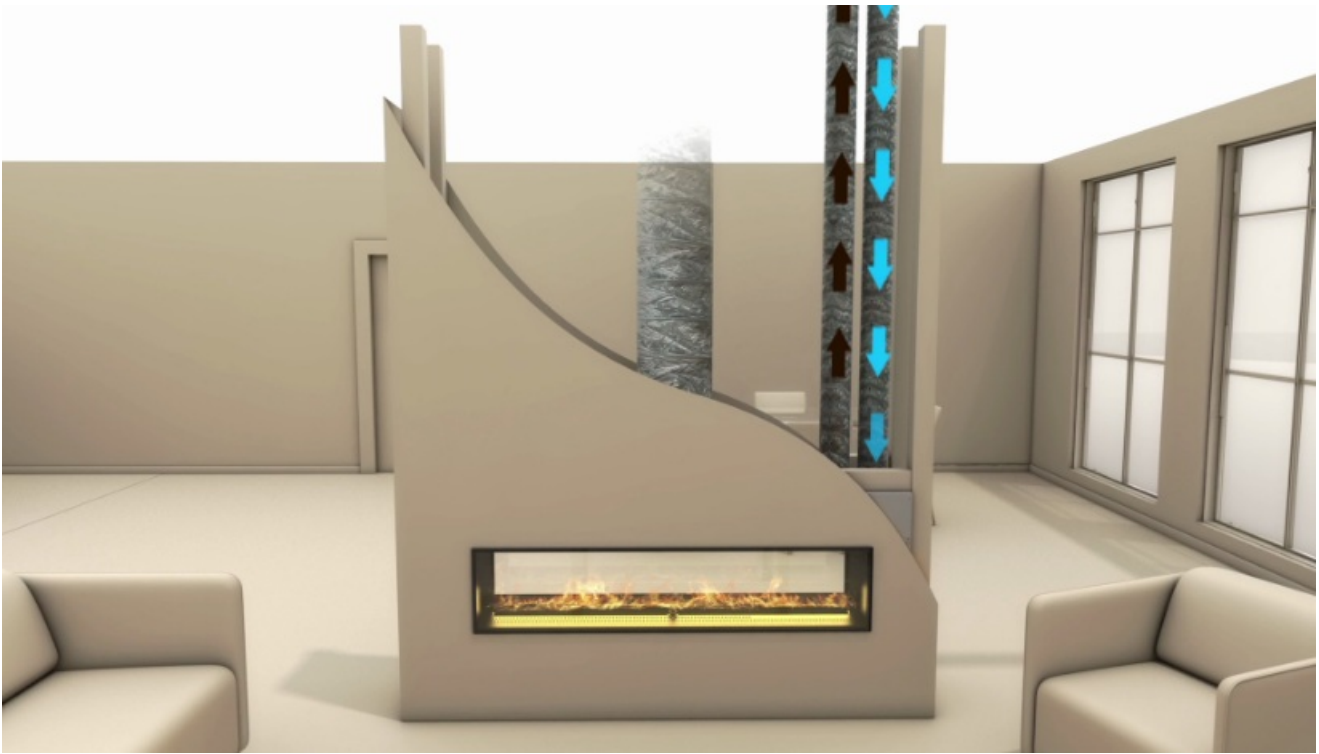
[Home](#) » [escea](#) » [escea DS Series Double to Single Sided Conversion Kit Instruction Manual](#) 

### Contents

- [1 escea DS Series Double to Single-Sided Conversion Kit](#)
- [2 Accessory Installation Instruction](#)
- [3 Documents / Resources](#)
- [4 Related Posts](#)

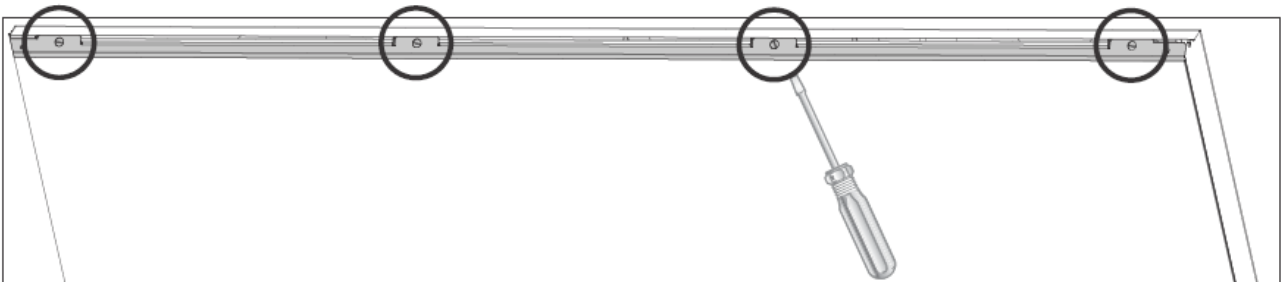
escea.

**escea DS Series Double to Single-Sided Conversion Kit**

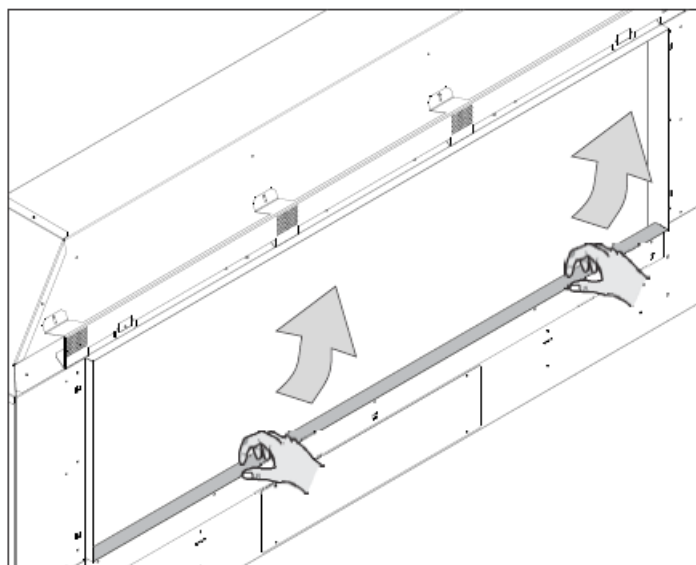


### Accessory Installation Instruction

1. On both sides of the fire, remove the glass retaining bracket (shown below in grey) by unscrewing the 1/4 turn fasteners located at the top of the glass. The DS1150, DS1400, and DS1650 will have 4 fasteners (shown below); the DS1900 will have 6 1/4 turn fasteners. Remove the glass from both sides of the fire.

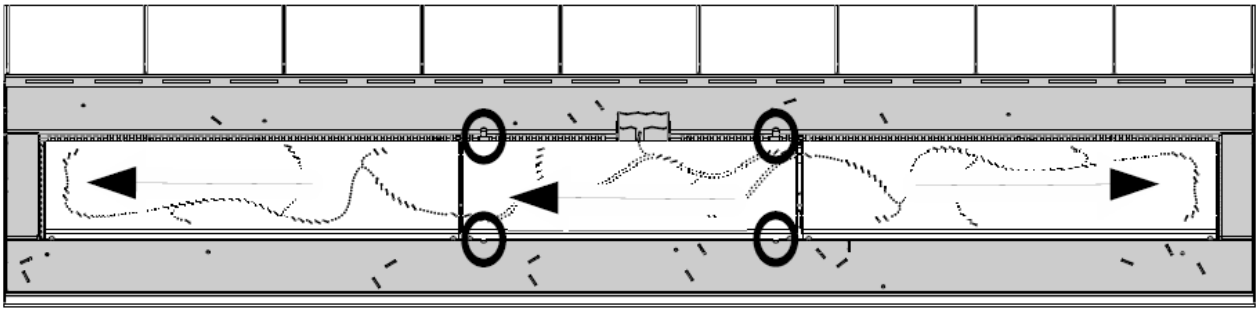


2. Remove the bottom trim (shaded in grey below) from both sides of the fire. If necessary, insert a large slotted screwdriver into the lance forms and twist.

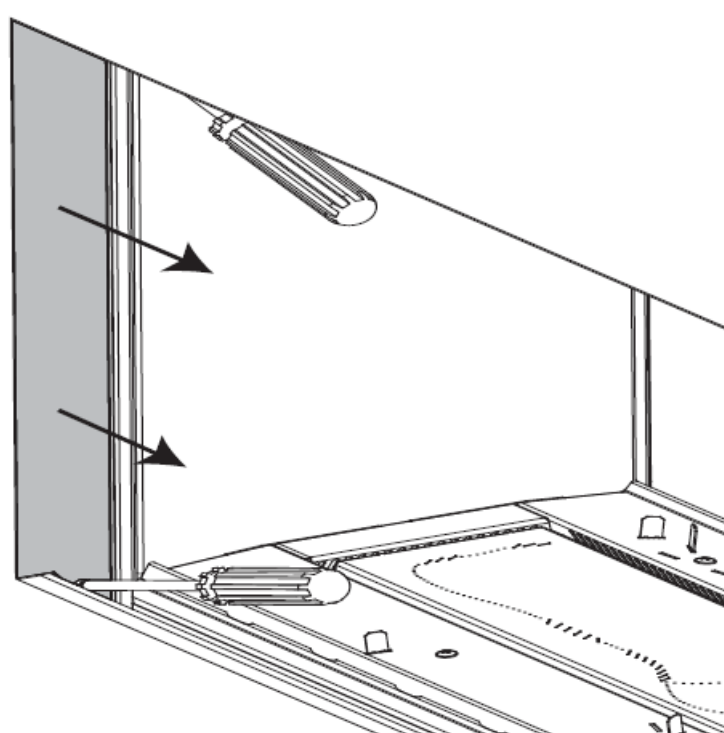


3. Remove the infill screws: the DS1150 and DS1400 have four (shown below); the DS1650 and the DS1900 have eight. Lift one end of the infill up into the top corner of the firebox and then out towards you, taking care

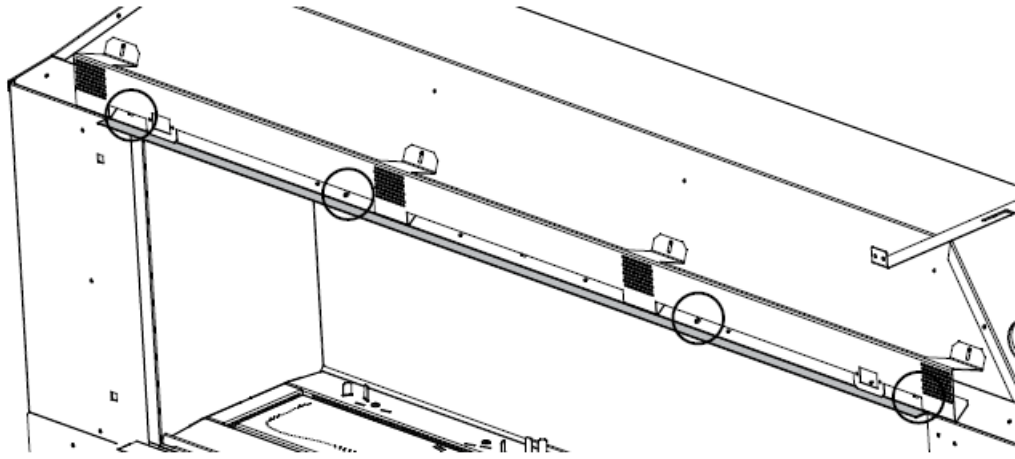
not to scratch the firebox paint and reflective panels. Remove the outer burners by sliding them away from the centre of the fireplace, followed by the centre burner, which slides out to the left.



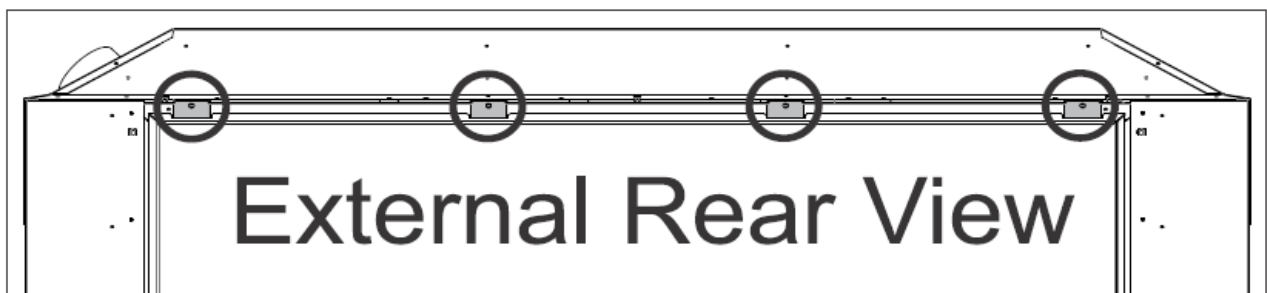
4. Determine which side of the fire is going to be converted to single sided and which side is going to remain glass. From the side of the fire that is being converted to single sided, remove the side gib trims by removing the two screws from each and sliding them out. The rest of the steps will also be performed on this side of the fire.



Remove the top trim by unscrewing the four (five in the DS1900) black machine screws. The screws are removed from the inside of the fire.



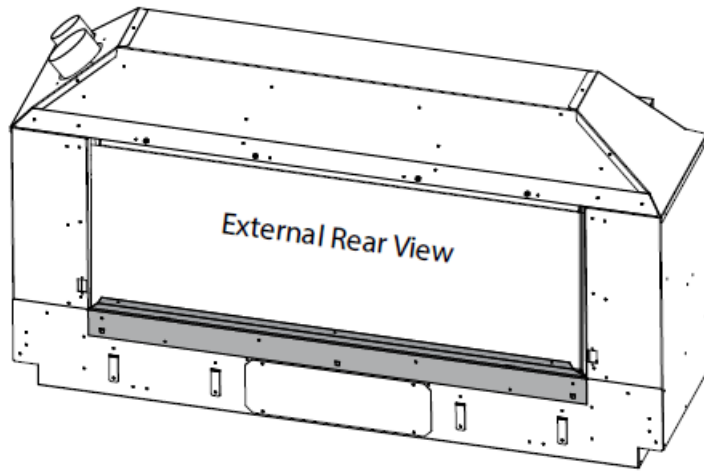
5. The DS1150, DS1400, and DS1650 will have 4 fasteners (circled below); the DS1900 will have 6 1/4 turn fasteners.



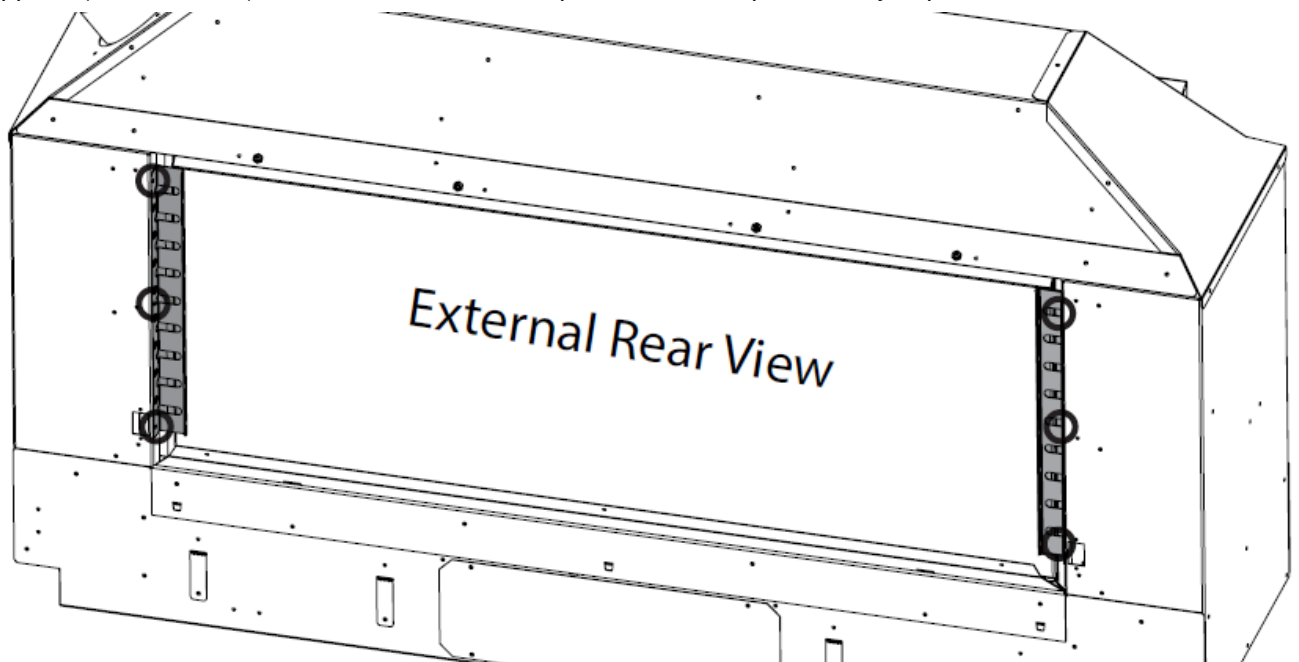
Place the bottom edge of the back panel into the fire, with the 1/4 turn fasteners towards the top. This sits in the same channel that the glass comes out of. Lean the back panel up and turn the 1/4 turn fasteners to hold it in place.



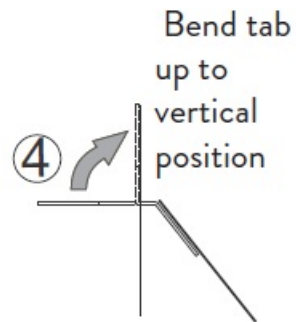
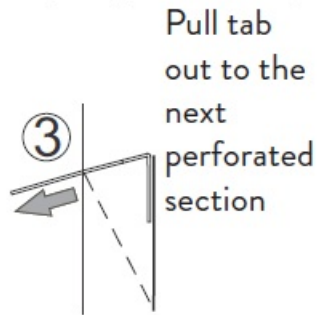
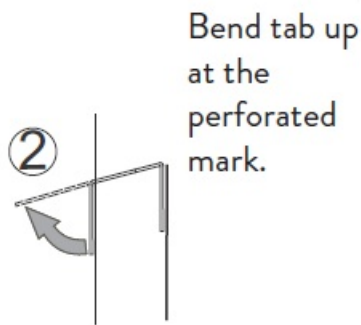
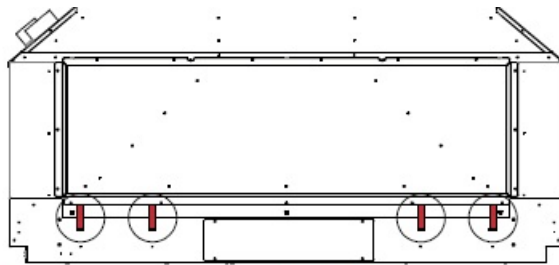
6. Place the bottom air deflector (shown shaded below) against the back panel and slide it down. The lance forms should insert into the slots and then be pushed down securely. It may be necessary to use a rubber mallet to fully seat the air deflector in place.



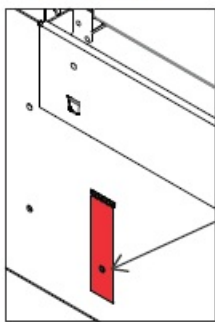
7. Attach the side brackets (shaded below) by placing the oval slots against the back panel with the holes against the fire chassis, facing towards the outside of the fire. Fix them to the chassis with 6 of the black pozi screws supplied (circled below). The brackets should help hold the back panel firmly in place.



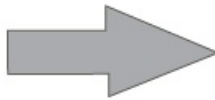
8. On the back of the appliance (non-glass side) remove one screw from each of the four tabs at the bottom of the chassis and set each pair of tabs from 'close position' to 'open position' (shown below). Pull the tabs together in pairs (left two, then right two) to move the position of the air vents inside the fire.



Close

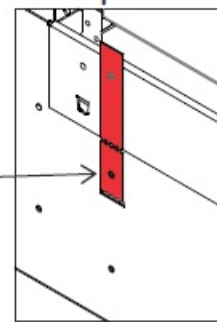


1 Remove the screw

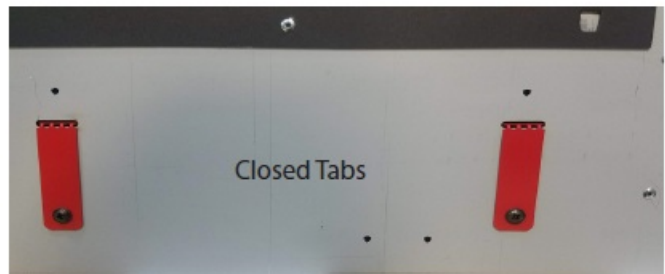


5 Replace the screw

Open

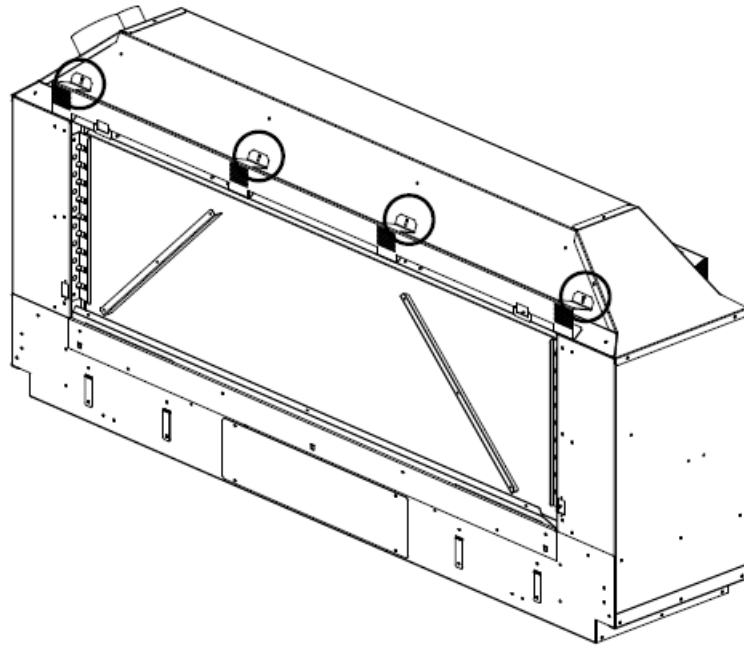


**!**  
Please Take Extra Care on this STEP

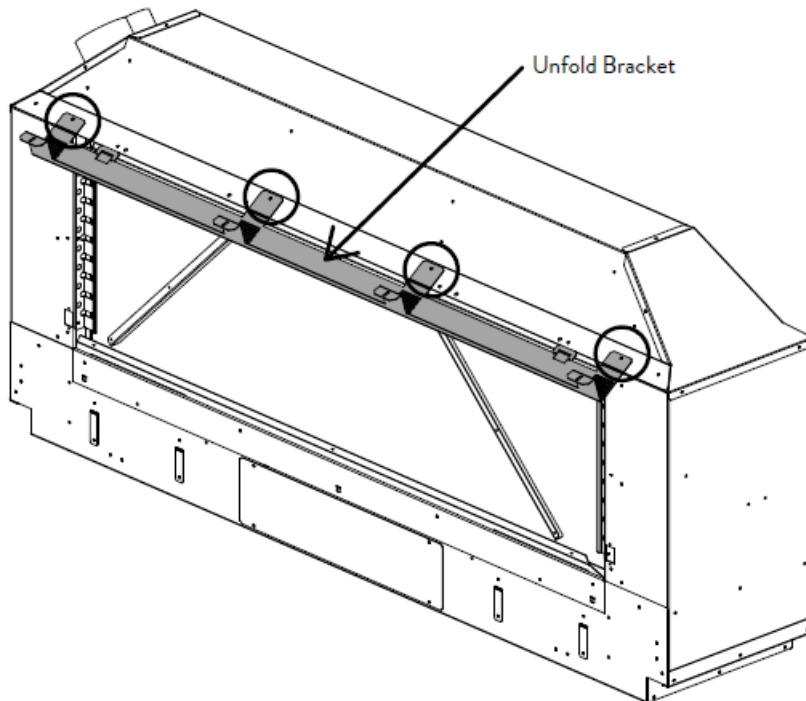


Once the tabs are in the 'Open' position on the back of the fire, air will flow up between the two back panels when the fire is running. Failure to perform this step will likely result in an error code when the fire is running. The back panel (step 10) will end up fastening on top of the red tabs, holding the ends in place.

- For a DS1150, DS1400, or DS1650, remove the gib board fixing bracket by first removing the four screws along the top (circled below).

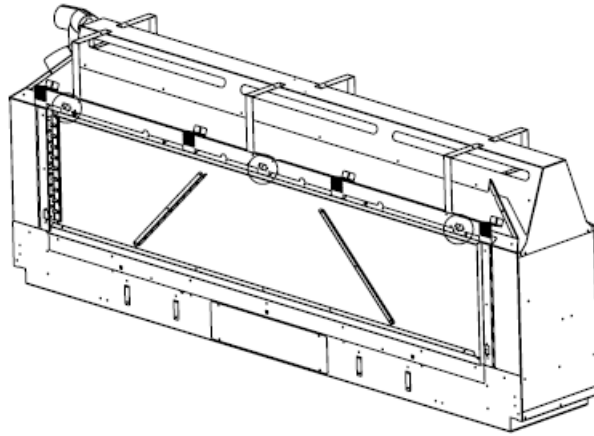


Bend the bracket (highlighted below) towards you to allow access to the next set of screws (circled below). Remove those and lift the bracket off. This is necessary to access the holes for attaching the back panel.

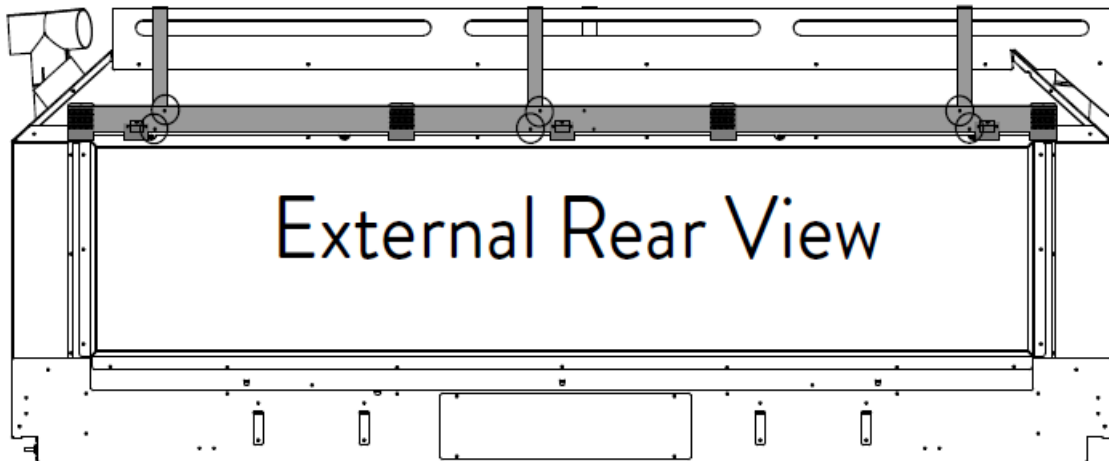


For a DS1900, check if there are access holes on the gib board fixing bracket that allow access to the back panel screws.

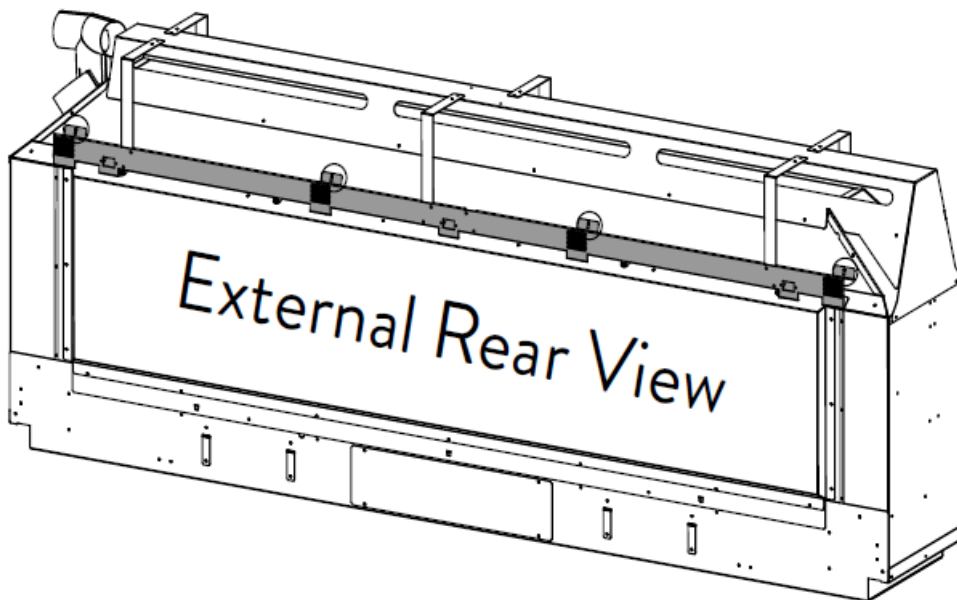
If there are access holes, then unscrew the three screws that hold the bottom of the bracket down (circled below) and then skip to step 10.



If there are not access holes, drill out the six rivets from the gib board fixing bracket (circled below).

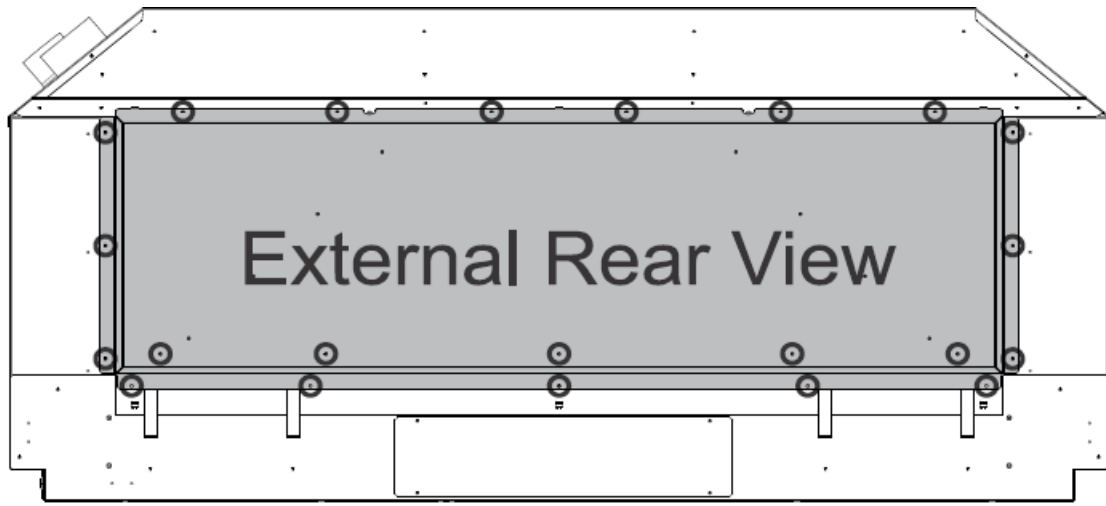


Unscrew the four screws from the top of the gib board fixing bracket (circled below) and fold it towards you to allow access to the back panel screws. Remove the six screws that hold the gib board fixing bracket in place



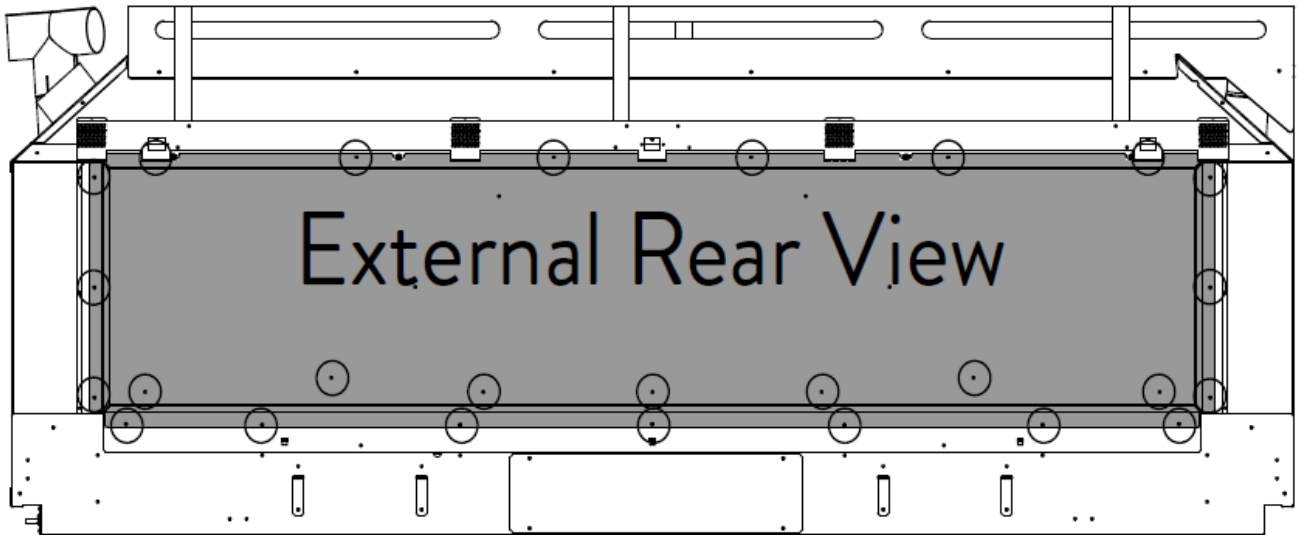
- Optional: If it is necessary to switch the side of the fireplace that the diagnostic bracket is on, please see the instruction on the last page. This needs to be done before the back panel is in place. For a DS1150, DS1400, or DS1650, place the back panel onto the appliance. Place the black pozi screws (circled in the diagram below) in the back panel of the appliance (DS1400 shown for reference). To make it easier to fix all of the screws in place, it is recommended to place the top centre screw first.





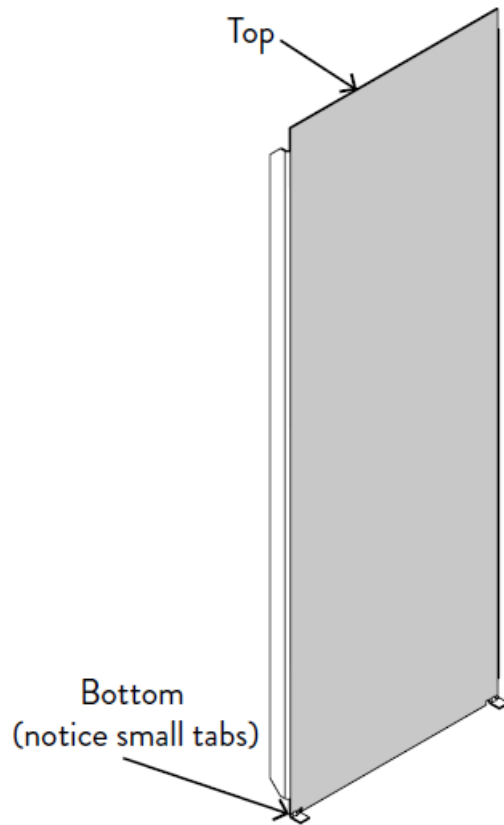
For a DS1900 ONLY: Place the back panel into place by sliding it under the gib bracket. Attach the back panel using the black pozi screws (circled below).

If the gib board fixing bracket from step 9 did not have the access holes, reattach the six screws, bend the bracket back up, and reattach the four screws and the rivets. If it did have access holes, then in the process of attaching the back panel, the three screws removed will be replaced

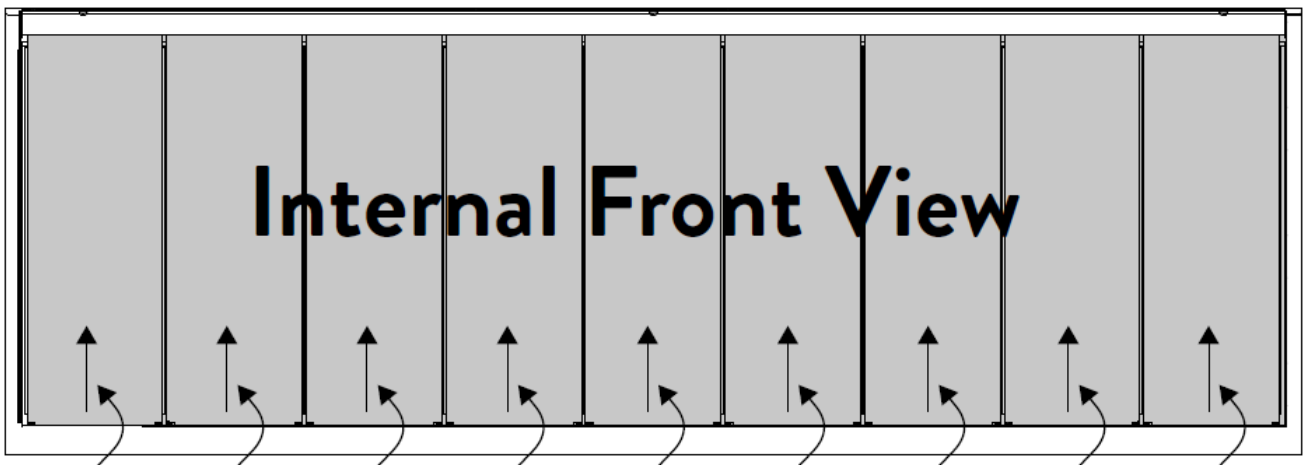


11. The rest of the steps are performed on the inside of the fire

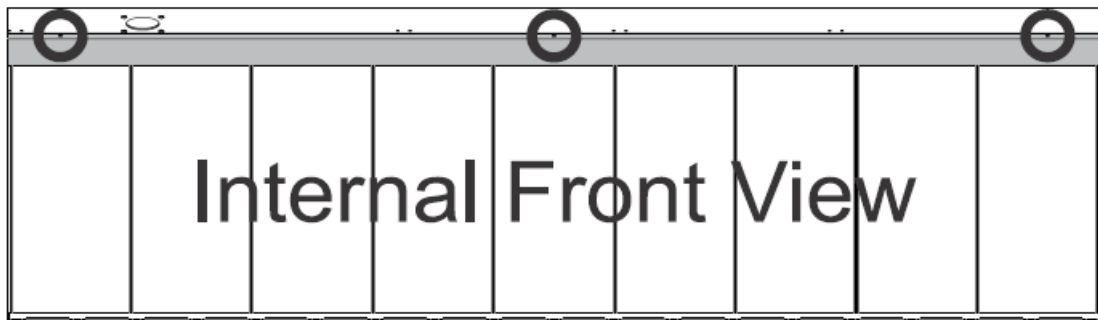
**Note** the top and bottom of the firebox liners (shown below). The visible face has been shaded grey – take care not to scratch or damage the cosmetic face of the firebox liner



Starting from the left side of the fire, carefully place the lower edge of each firebox liner on the edge of the firebox base at the back of the fire. Swing the firebox liner up so that it leans against the back of the fire (shaded in the diagram below). The panels should sit against each other; it may be necessary to slide them together to place the final liner.



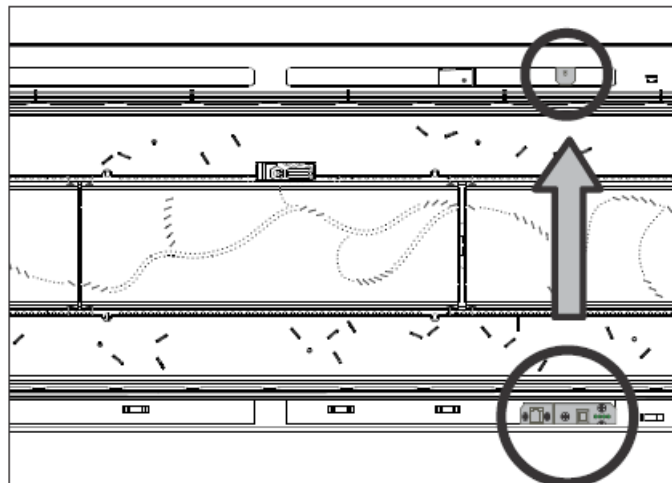
12. On the inside of the firebox, place the firebox liner bracket (shaded in the diagram below) carefully without scratching the liners. From the inside of the fire, attach with the provided philips screws (circled in the diagram below). The DS1150 and the DS1400 have 3 screws (shown below); the DS1650 will have 4 screws and the DS1900 will have 6 screws



13. Reinstall the burners and the infill by reversing the instructions followed in step 3.
14. Install the fuelbed media as per the installation/user guide. Finish the conversion by re-installing the front piece of glass, followed by the bottom trim, by reversing steps 1 and 2 of these instructions

### Optional Relocation of Diagnostic Bracket – Only carry out this step if needed

Relocate the diagnostic bracket to the opposite side of the appliance by carefully removing the middle screw and feeding it through to the opposite side of the fire (as shown in the diagram below). Note: this step must be completed before placing the back panels in place for either a LH to RH conversion or a single sided conversion



### Documents / Resources

	<p><a href="#">escea DS Series Double to Single Sided Conversion Kit</a> [pdf] Instruction Manual DS Series Double to Single Sided Conversion Kit, DS Series, Double to Single Sided Conversion Kit, Sided Conversion Kit, Conversion Kit</p>
--	---