

EggShell SPF-PB-01-C Sphere Microchip Pet Feeder



EggShell SPF-PB-01-C Sphere Microchip Pet Feeder User Guide

[Home](#) » [EggShell](#) » EggShell SPF-PB-01-C Sphere Microchip Pet Feeder User Guide 

Contents

- [1 EggShell SPF-PB-01-C Sphere Microchip Pet Feeder](#)
- [2 Product Information](#)
- [3 Product Usage Instructions](#)
- [4 Specification](#)
- [5 Accessories Details](#)
- [6 Product Composition](#)
- [7 Operating Instructions](#)
- [8 FCC Statement](#)
- [9 Troubleshooting](#)
- [10 Documents / Resources](#)
 - [10.1 References](#)
- [11 Related Posts](#)

EggShell

EggShell SPF-PB-01-C Sphere Microchip Pet Feeder



Specification

- **Model:** XYZ-2000
- **Dimensions:** 10in x 5in x 3in
- **Weight:** 2 lbs
- **Power Source:** AC adapter (included)
- **Capacity:** Up to 500ml

Product Information

The XYZ-2000 is a versatile and compact device designed to help you with various tasks. Its sleek design and user-friendly interface make it suitable for both home and office use. With a capacity of up to 500ml, it can efficiently handle a wide range of applications.

Product Usage Instructions

1. Setup:

Before using the XYZ-2000, ensure that it is placed on a flat, stable surface near a power outlet. Connect the AC adapter to the device and plug it into the power source.

2. Operation:

To start the device, press the power button located on the control panel. Use the intuitive interface to select the desired settings or functions based on your requirements.

3. Maintenance

Regularly clean the XYZ-2000 according to the instructions provided in the user manual. Ensure that the device is unplugged before cleaning and avoid using harsh chemicals that may damage its components.

Frequently Asked Questions (FAQ):

- **Q: Can I use the XYZ-2000 for both hot and cold liquids?**

A: Yes, the XYZ-2000 is designed to handle a wide range of temperatures, making it suitable for both hot and cold liquids.

• **Q: How often should I refill the XYZ-2000?**

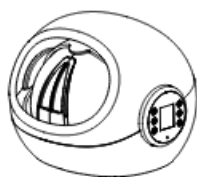
A: The frequency of refilling depends on your usage. It is recommended to refill the device when the liquid level is low to ensure optimal performance.

Thank you very much for purchasing our products. Please read the user manual and all related information carefully and keep it for future reference.

Specification

Name	Sphere Microchip Pet Feeder	Model	SPF-PB-01-C
Power	Type-C 5V/1A & 4*AA batteries	Input	DC5V $\overline{=}$ 1A
Cable Length	1.3m	Power	5W
Material	ABS+Melamine Bowl	Capacity	700mL
Feeding Mode	4 feeding modes to Choice	Voice Recording	10s
Dimensions	W255*D270*H227m	Weight	1.5kg

Accessories Details



① Microchip Pet Feeder*1



② Food bowl*1



③ Power Adapter*1



④ Type-C Cable *1



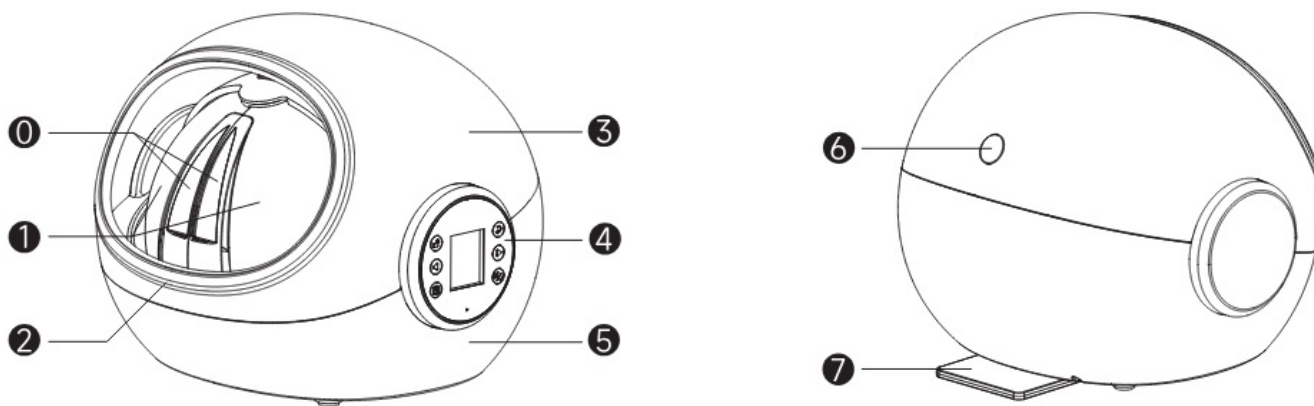
⑤ RFID Tag*1



⑥ User Manual*1

Due to product upgrades and optimization, if the product image is slightly different from the actual product, please refer to the actual product.

Product Composition

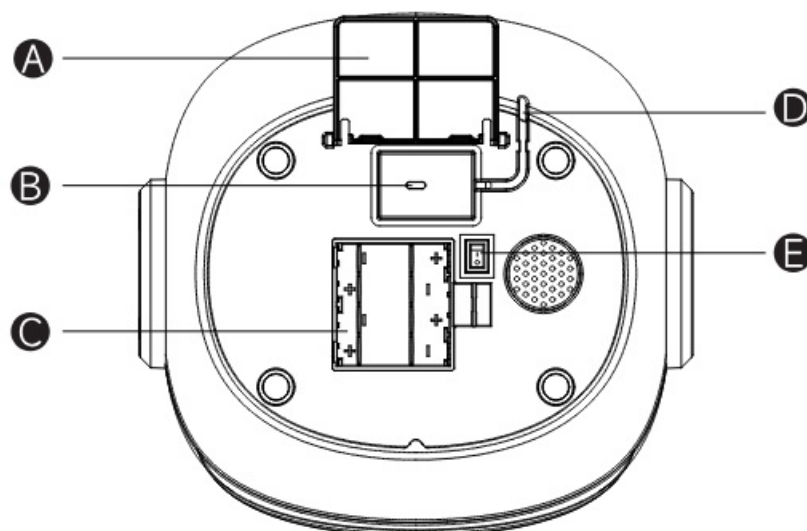


- 0 Anti-pinch strip
- 1 Revolving door
- 2 Food window
- 3 Feeder upper cover
- 4 Control Panel
- 5 Feeder base
- 6 Cover unlock button
- Anti-fall shee

Operating Instructions

Connecting power

Open the anti-fall sheet, insert the power cord into the power socket at the bottom, snap the cord into the slot, and turn on the power switch. It's recommended to install 4pcs new AA batteries at the same time(batteries not included), which will automatically switch after a power outage,ensure the normal operation of the feeder. Note: The power of 4pcs AA battery is limited, can last about 48 hours depending on use.



Feeder bottom

- **Unlock/Lock button**
Press and hold for 2 seconds to unlock, short press to lock
- **Left key**

Page left, digital adjustment decrease

- **Open/Close door key**

Press and hold for 1 second to open or close the door

- **Return key**

Return to the previous action or previous menu

- **Right key**

Page right, digital adjustment increase

- **Menu/Confirm key**

Click to enter the menu on the home page, and click to confirm in the menu

- **Feeding plan mode**

Shows the current feeding mode or feeding plan

- **Voice recording status**

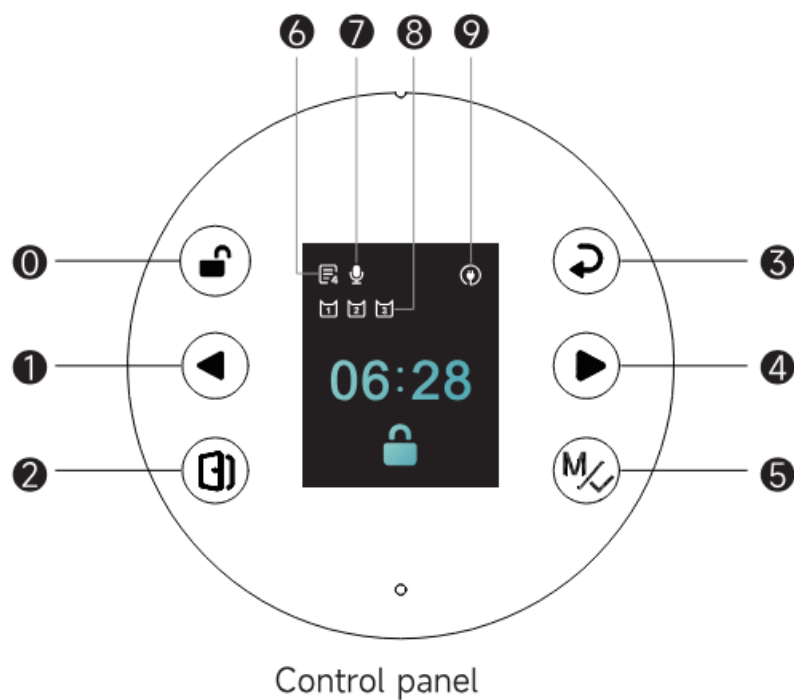
Shows whether voice recording has been set up

- **Tag identification status**

Shows written RFID tag

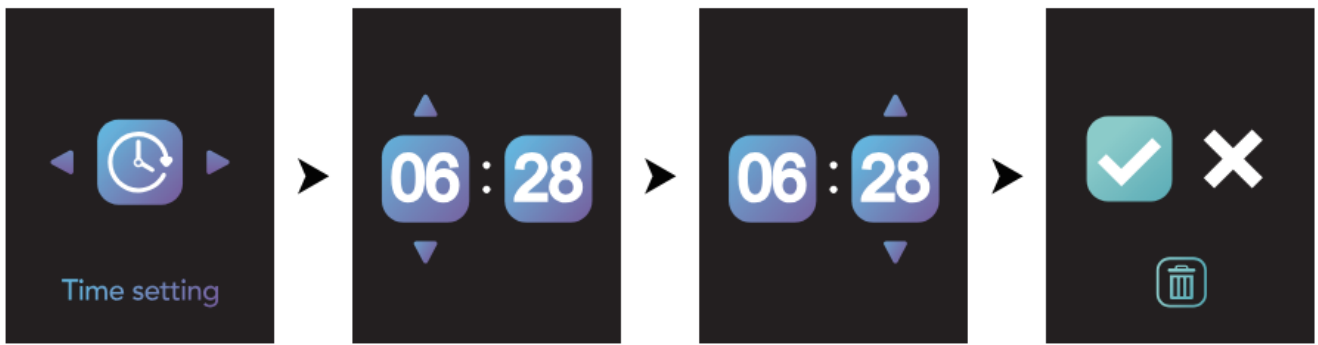
- **Power supply**

Shows the current power supply or battery supply mode



Time Setting

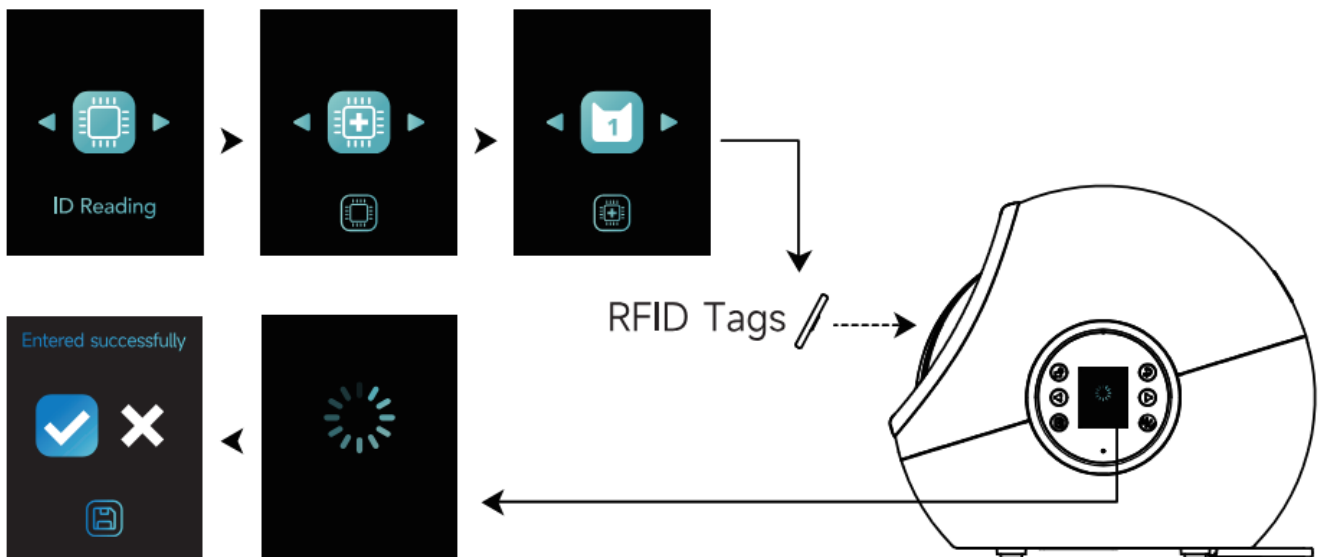
Menu > Time setting > Hour setting > Minute setting > Confirm



- In order to execute the feeding plan normally under the three feeding plans, please be sure to set the local time.

• **RFID Writing**

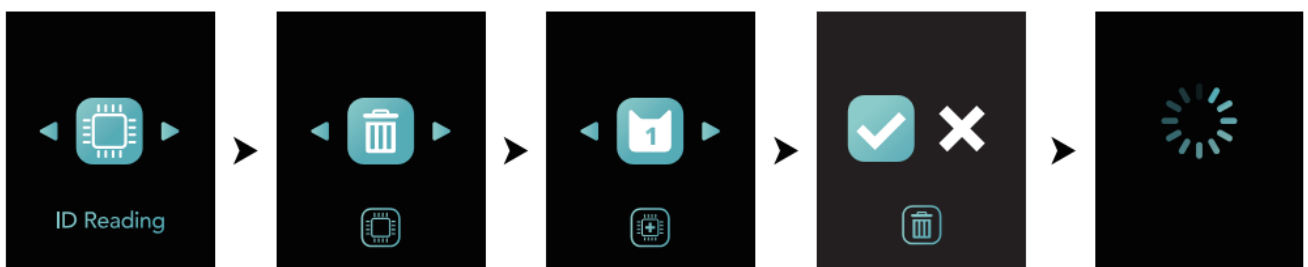
Menu > Adding ID > Choose the ID number > Place the RFID tag near the feeder door > Enter Successfully > Confirm



- Feeder support writing up to 3 tags .

• **RFID Deleting**

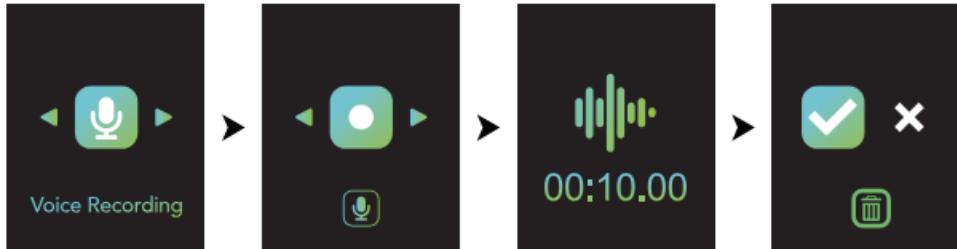
Menu > Adding ID > Delete ID > Choose the ID number > Delete ID Successfully > Confirm



- Deleting the ID does not require the RFID tag to be close the feeding window.

• **Voice Recording**

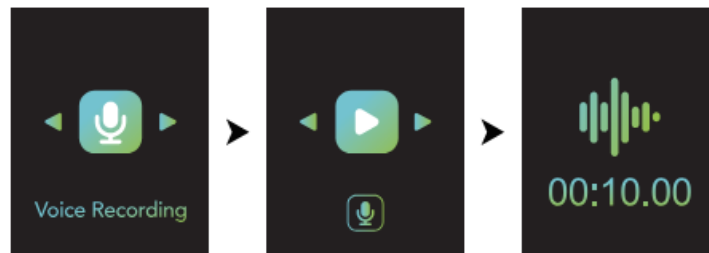
Menu>Voice Recording>Start to record voice(longest 10s)> Confirm



- If the recording is less than 10 seconds, you can directly press the menu button to jump to the next step.
- After successful written, the corresponding icon will be shown in the upper left corner of the homepage.
- The voice message will be played while the feeding plan is executed. Re-written will cover the last voice.

Voice playback

Menu>Voice Recording>Voice playbac



FCC Statement

This equipment has been tested and found to comply with the limits for a Class B digital device, pursuant to part 15 of the FCC Rules. These limits are designed to provide reasonable protection against harmful interference in a residential installation. This equipment generates, uses and can radiate radio frequency energy and, if not installed and used in accordance with the instructions, may cause harmful interference to radio communications. However, there is no guarantee that interference will not occur in a particular installation.

- If this equipment does cause harmful interference to radio or television reception, which can be determined by turning the equipment off and on, the user is encouraged to try to correct the interference by one or more of the following measures:
 - Reorient or relocate the receiving antenna.
 - Increase the separation between the equipment and receiver.
 - Connect the equipment into an outlet on a circuit different from that to which the receiver is connected.
 - Consult the dealer or an experienced radio/TV technician for help.

Caution: Any changes or modifications to this device not explicitly approved by manufacturer could void your authority to operate this equipment. This device complies with part 15 of the FCC Rules. Operation is subject to the following two conditions:

1. This device may not cause harmful interference, and
2. This device must accept any interference received, including interference that may cause undesired operation.

RF Exposure Information

This equipment complies with FCC radiation exposure limits set forth for an uncontrolled environment. This equipment should be installed and operated with minimum distance 20cm between the radiator and your body.

Feeding Plan

1. Free mode (Default mode) Anytime identify the RFID tag, the door will open Menu > Feeding Plan > Free Mode > Confirm



2. 3 meals/day Menu > Feeding Plan > 3 meals/day > Confirm



The three meals are set at 7:00-11:30 12:00-17:30 18:00-6:30+1 During each feeding period, the door will open 2 minutes when identify the RFID tag.

3. 4 meals/day Menu > Feeding Plan > 3 meals/day > Confirm



- The four meals are set at 7:00-11:30 12:00-17:30 18:00-21:30 22:00-6:30+1 During each feeding period, the door will open 2 minutes when identify the RFID tag.

4. Custom Mode

Menu > Feeding Plan > Custom mode > Add > Choose 1-9 meals > Set feeding time > Set how long can eat(1-10min) > Confirm



- When set the feeding plan, the door can be identified open once within the next half hour. For example: set 08:30, during 08:30-09:00, can identify the ID once, and the door open 1-10 minute (based on your set)

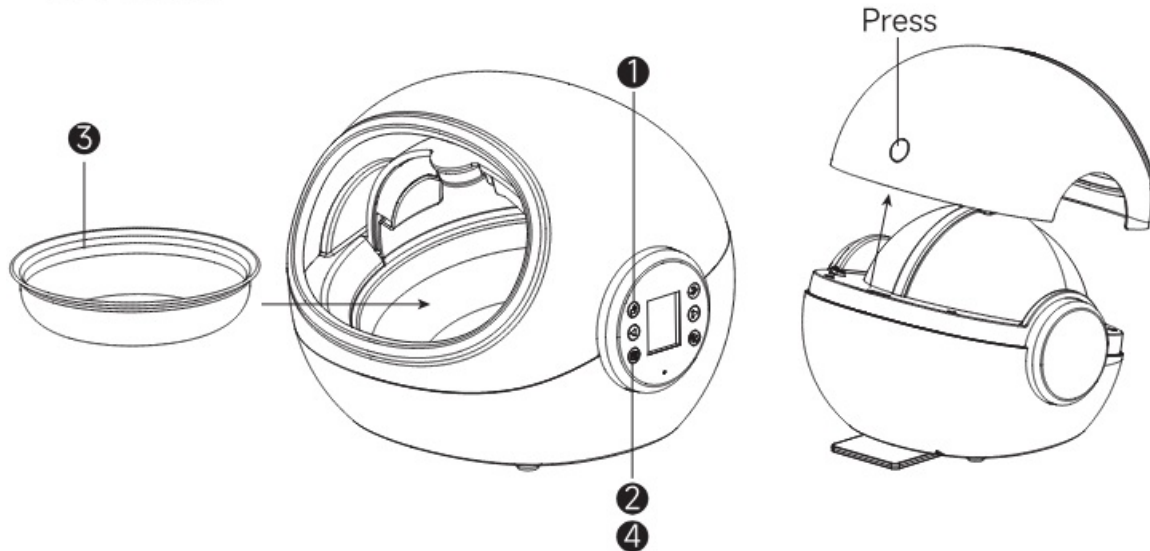
Note: Under Custom Mode, each feeding time set needs to be at least 30 minutes apart.

Take out/Put in food bowl

1. Press and hold the unlock button for 2 seconds.
2. Press and hold the open/close button for 1 second
3. After taking out the food bowl to fill it with food or cleaning it, put it back again.
4. Press and hold the open/close button again for 1 second.

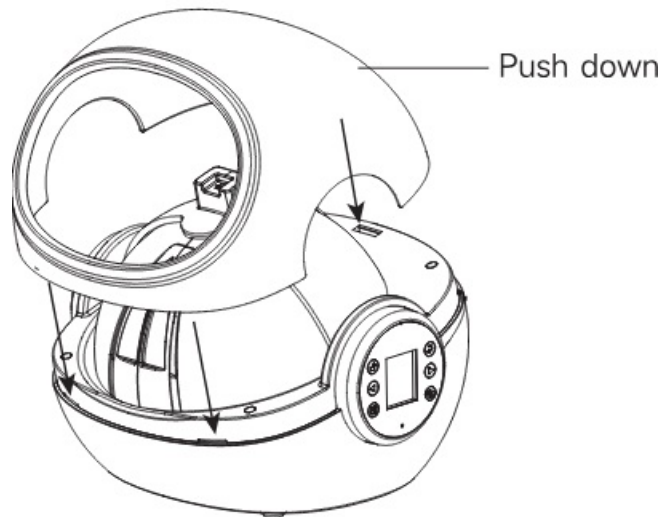
Take off the cover

Press the upper cover unlock button, wait until the upper cover pops open, and then separate it from the feeder body.



In order not to affect the normal operation of the feeder, do not add the food beyond the mouth of the howl

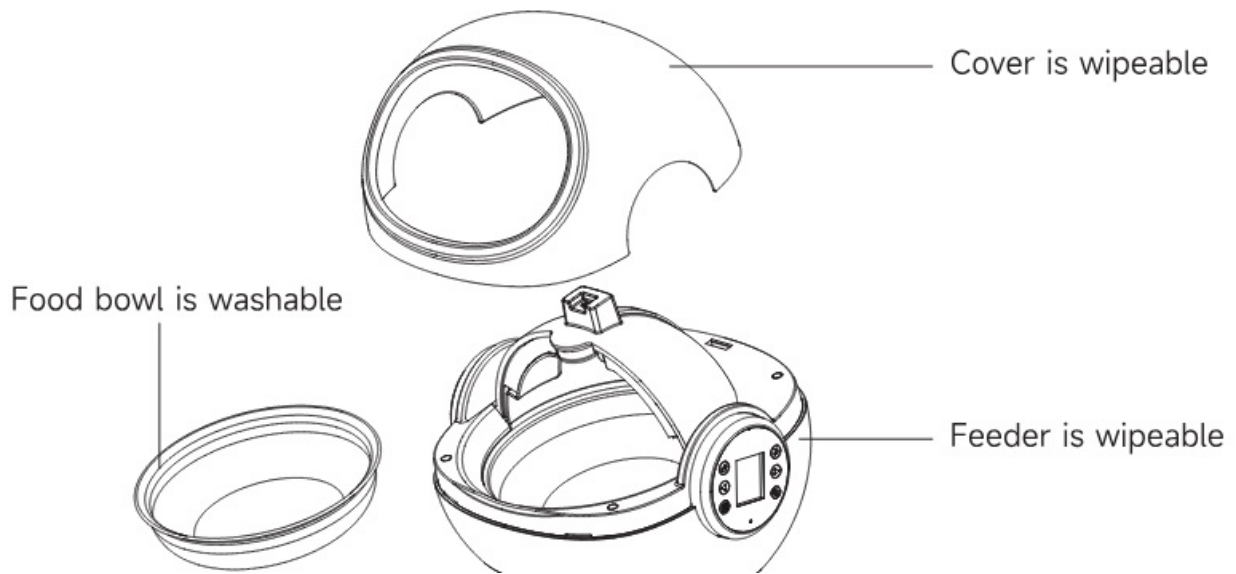
- Cover installation Align the cover with the feeder, press down until you hear the cover click into place.
- Please be sure to turn off the power while taking off cover and install cover.



Cleaning & Maintenance

- Make sure to turn off the power and remove the battery while cleaning & maintenance.

Custom Mode Menu > Feeding Plan > Custom mode > Add > Choose 1-9 meals > Set feeding time : Set how long can eat(1-10min) > Confirm



Suggested Training Mode

If your pet is hesitant or scared of the feeder, we suggest you open the door and unpower the feeder to allow the pet to get comfortable during the feeding process. After a few meals you can power the feeder back on to enable only allowed pets to eat. Please note this process will allow other pets to eat while training is in process.

Troubleshooting

Button is not working	Make sure the Control Panel is unlocked. The 'Unlock' button and the 'Open/Close Door' Button need to long press.
Unable to open door by RFID tag	Make sure the power cable is connected properly and the power switch turns on.
	Make sure whether it is over the sensing range.
	Make sure whether the tag has been written successfully.
	Make sure there is no large area of metal around the feeder.
	If you have more than one microchip feeder, please ensure that each unit is used at least 1 meter apart.
Unable to open and close the door manually	Make sure there are no objects blocking the revolving door.
	Restart the feeder.
	Make sure long press the 'Open/Close Door' Button.


NOTES

- Please use the power adapter that comes with the machine.
- It is FORBIDDEN to place the whole feeder into dishwasher or disinfection cabinet.
- It is FORBIDDEN to use microwave ovens to heat the bowl.
- It is FORBIDDEN to use steel balls to clean the bowl.
- The water content should not exceed half a bowl while adding wet food.

- Please do not drop or hit the bowl. If the food bowl is cracked or damaged due to falling or impact, please stop using it.



Documents / Resources

	<p>EggShell SPF-PB-01-C Sphere Microchip Pet Feeder [pdf] User Guide 2BGFV-SPF-PB-01-C, 2BGFVSPFPB01C, SPF-PB-01-C Sphere Microchip Pet Feeder, SPF-PB-01-C, Sphere Microchip Pet Feeder, Feeder, Pet Feeder, Sphere Pet Feeder, Microchip Pet Feeder</p>
---	---

References

- [User Manual](#)

[Manuals+](#), [Privacy Policy](#)

This website is an independent publication and is neither affiliated with nor endorsed by any of the trademark owners. The "Bluetooth®" word mark and logos are registered trademarks owned by Bluetooth SIG, Inc. The "Wi-Fi®" word mark and logos are registered trademarks owned by the Wi-Fi Alliance. Any use of these marks on this website does not imply any affiliation with or endorsement.