



EcoDim ECO-DIM.06 Zigbee Plug in Dimmer Zigbee Instruction Manual

[Home](#) » [EcoDim](#) » EcoDim ECO-DIM.06 Zigbee Plug in Dimmer Zigbee Instruction Manual 

EcoDim[®] Manual Plug in dimmer Zigbee ECO-DIM.06 Zigbee



Contents

- 1 [ECO-DIM.06 Zigbee Plug in Dimmer Zigbee](#)
- 2 [Instructions](#)
- 3 [Features](#)
- 4 [Operation](#)
- 5 [Support Hub/Platform](#)
- 6 [Documents / Resources](#)
 - 6.1 [References](#)

ECO-DIM.06 Zigbee Plug in Dimmer Zigbee

Please note

- For indoor use only
- Input voltage should be 220-240V
- The plug dimmer is voltage-free when it is unplugged
- Do not cover when in use

ECO-DIM.06 Zigbee

Input voltage:	220-240V
Frequency:	50Hz
Maximum wattage:	100W
Minimum wattage:	0W
Dimming technology:	Phase cut-off(Trailing Edge R,C)
Dimmable led lamps:	0-100W
Bulbs with electronic transformers:	5-150VA
Halogen and incandescent bulbs:	5-150VA

Instructions

1. Plug the socket dimmer into the socket
2. Now insert the plug of the lamp into the socket dimmer
3. Now press the dimmer button of the socket dimmer
4. Turn the dimmer knob to be able to dim the lamps

Features

- √ Zigbee support
- √ Voice support (Amazon Alexa & Google Assistant / Homey)
- √ Suitable for several home automation apps
- √ Suitable for 0-100W LED
- √ Optimal dimmable & light stability
- √ MIN light adjustment options
- √ Suitable for 90% of all LEDs
- √ Soft start system
- √ Noiseless dimming

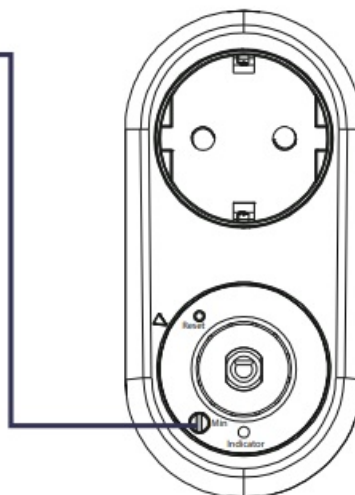
Operation

1) Min. Bright Adjustment.

To ensure the dimmer to work optimally, you can adjust the lights brightness at min. from the dimmer.

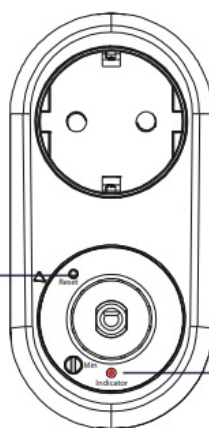
Min. adjustment

When the light is on and at the previous set min. level, Anti-clockwise the VR to decrease or clockwise to increase the brightness at the min. level to your preference, and avoid flickering as well.



2) Factory Reset

Step 1. Press the reset button for 5s.



Step 2. When the Indicator stay in Red for 10s, reset finished.

Please note:

This procedure should only be used when the primary controller is inoperable.

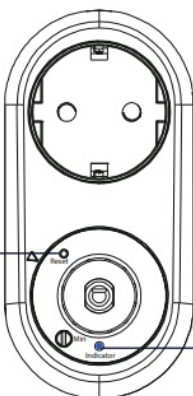
The entire configuration is reset after the device is reset or removed from the network.

3) Inclusion to the Zigbee Network

Step 1. Remove the device from a previous Zigbee network if it has already been added to one, otherwise pairing mode will be fail.

Step 2. From your Zigbee Controller interface, choose to add lighting and enter the pairing mode.

Step 3. Double Press the reset button.

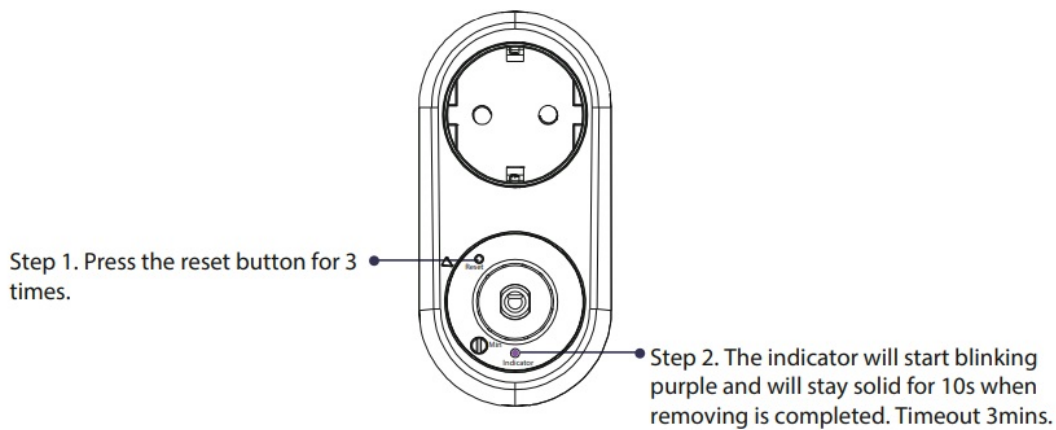


Step 4. The indicator will start blinking blue and will stay solid for 10s when pairing succeeds. Timeout 15mins.

4) Exclusion from the Zigbee Network

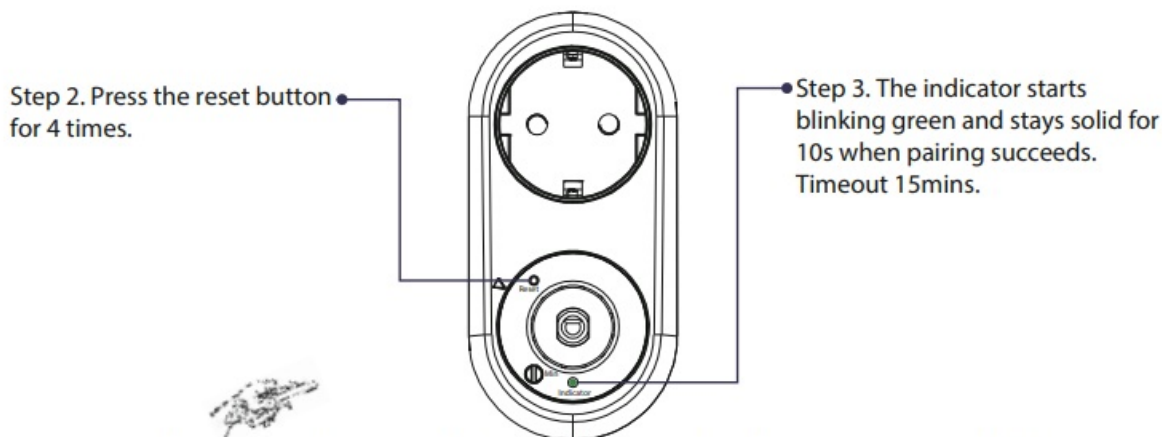
Method 1. From your Zigbee hub interface, choose to delete or reset the device as instructed.

Method 2. Remove from the Device, see below instructions.



4) TouchLink

Step 1. If the device is on a ZigBee network, remove the device before enabling TouchLink.



Step 4. Bring the remote within 10cm of the smart dimmer and set the remote into TouchLink commissioning.

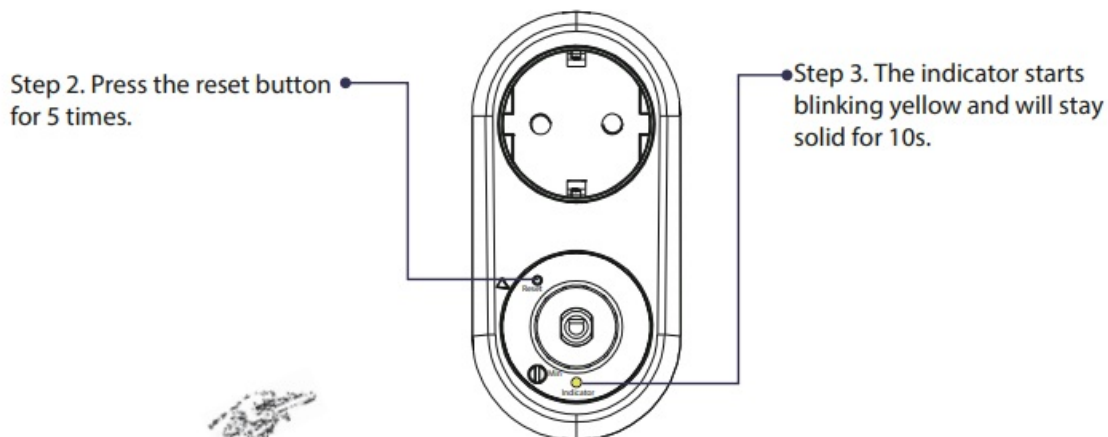
Step 5. The connected light will blink 10 times when TouchLink succeeds.

Note:

- a. When both devices (Dimmer and remote) are not included in the Zigbee Network, each dimmer can link with one remote max.
- b. When both devices are included in the same Zigbee network, each dimmer can link with max 30 remotes.
- c. For Philips Hue Hubs and Amazon Echo Plus, add the remote and device to network first then touchlink.

5) Find and Bind

Step 1. Make sure the device and remote are added to the same Zigbee network.



Step 4. Make sure the device and remote are added to the same Zigbee network. Please refer to the manufacturers instructions on how to set the remote in find and bind mode.

Index- Zigbee Clusters the device supports

1. Input Cluster

- 0x0000: Basic

- 0x0003: Identify
- 0x0004: Groups
- 0x0005: Scenes
- 0x0006: On/off
- 0x0008: Level Control
- 0x0b05: Diagnostics

2. Output Cluster

- 0x0019: OTA

3. Zigbee codes / Commands

The full list of Z-Wave and Zigbee commands can be found on our website, www.ecodim.nl/downloads-smart-dimmer.

Support Hub/Platform

Suitable for most Zigbee hubs / apps:

- √ Homey
- √ SmartThings
- √ Philips Hue
- √ Google Home
- √ Amazon Alexa
- √ Wink
- √ Homee
- √ Futurehome
- √ Aduro Smart
- √ Trust Smart Home

Please refer to Corresponding hub manual /instruction to learn how



Documents / Resources

	<p>EcoDim ECO-DIM.06 Zigbee Plug in Dimmer Zigbee [pdf] Instruction Manual ECO-DIM.06 Zigbee Plug in Dimmer Zigbee, ECO-DIM.06, Zigbee Plug in Dimmer Zigbee, Dimmer Zigbee</p>
--	--

References

- [User Manual](#)

[Manuals+](#), [Privacy Policy](#)

This website is an independent publication and is neither affiliated with nor endorsed by any of the trademark owners. The "Bluetooth®" word mark and logos are registered trademarks owned by Bluetooth SIG, Inc. The "Wi-Fi®" word mark and logos are registered trademarks owned by the Wi-Fi Alliance. Any use of these marks on this website does not imply any affiliation with or endorsement.