

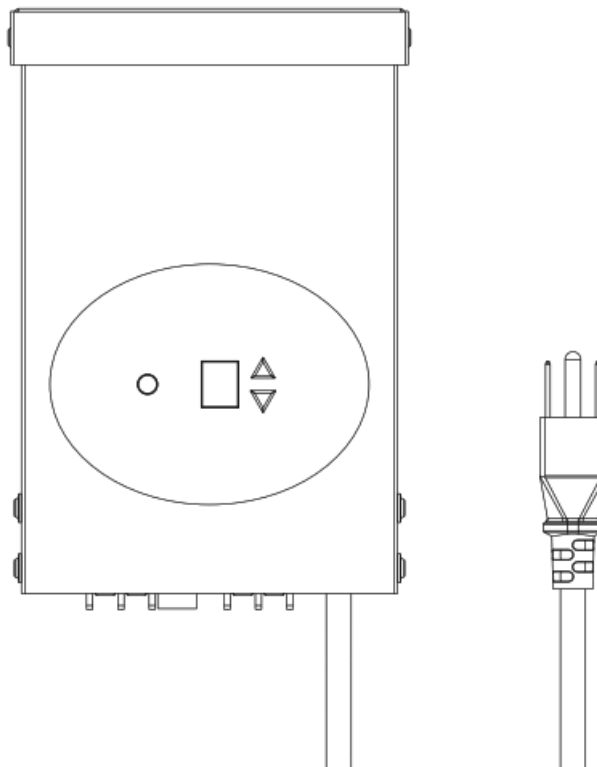


# dewenwils HOSL03A Low Voltage Transformer Instruction Manual

[Home](#) » [dewenwils](#) » dewenwils HOSL03A Low Voltage Transformer Instruction Manual 

# *dewenwils*

Low-Voltage Transformer  
SKU:HOSLO3A  
[Instruction Manual]



Please pay attention to the warning signs Read the instructions with caution before operating and keep it properly

## Contents

- 1 SAFETY INSTRUCTIONS
- 2 CALCULATION LIGHTING CAPACITY
- 3 INSTALLATION
- 4 OPERATING INSTRUCTION
- 5 TROUBLE SHOOTING
- 6 CABLE SELECTION CHART
- 7 SPECIFICATIONS
- 8 One-year Limited Warranty
- 9 Documents / Resources

## SAFETY INSTRUCTIONS

Important safety information to reduce risk of fire injury.

1. Do not install within 10 feet (3 m) of a pool, spa or fountain.
2. There are no serviceable parts inside the power supply unit. DO NOT DISASSEMBLE
3. Do not repair or tamper with cord or plug.
4. Do not submerge transformer in water.
5. Do not mount the transformer onto combustible material.
6. Do not connect two or more transformers in parallel.
7. Do not use the transformer with a dimmer switch.
8. Plug the power supply unit directly into a GFCI wet location outlet.
9. For use with low voltage outdoor landscape lighting system only.
10. The maximum output of this transformer is 120 watts. Do not overload the transformer. Be sure that the total cumulative wattage of all 12 volt fixtures connected to the transformer is equal to or less than 120 watts.

**CAUTION:** This landscape light system must be installed in accordance with all local codes and ordinances. If you are experiencing problems, contact a qualified electrician.

## CALCULATION LIGHTING CAPACITY

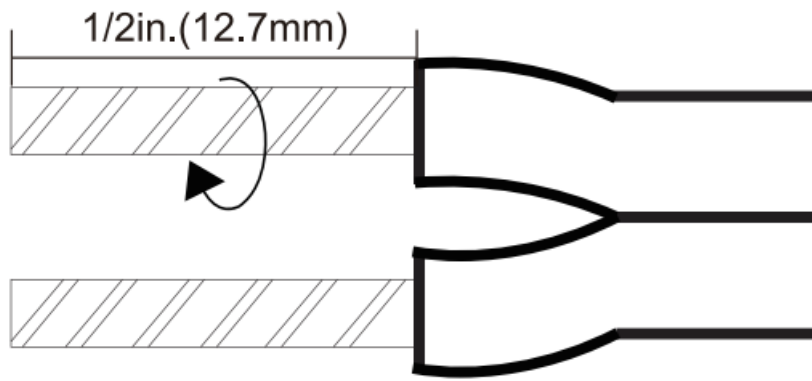
The 120 Watt transformer has 120 watt circuits which will power up to 120 watts of light. To make sure the maximum number of fixtures can be safely connected to this transformer, add up the individual wattages of all the fixtures. The total wattage of your fixtures must not exceed output capacity of the 120 Watt transformer.

## INSTALLATION

### 1. Preparing the Cable

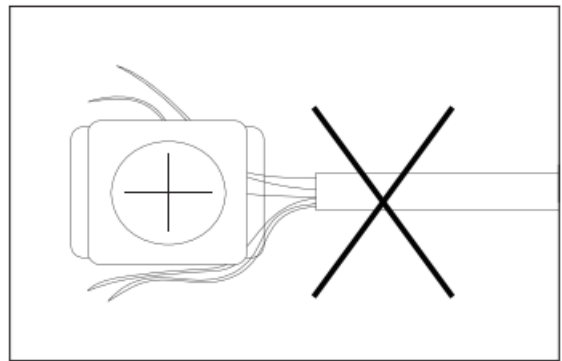
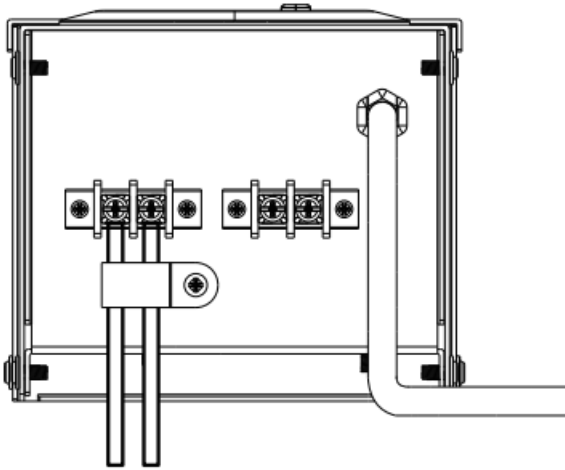
Being careful when splitting it. NOT to expose the copper cable.

Remove the landscape cable insulation 1/2 inch from both cables and twist ends.

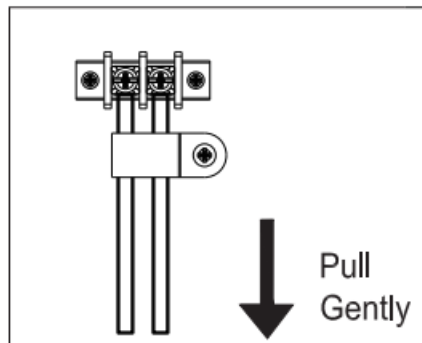


## 2. Connecting the cable to the Transformer

Lay the transformer on a flat, stable surface and use screwdriver to connect the stripped ends of the cable under the terminal clamping **plate**.

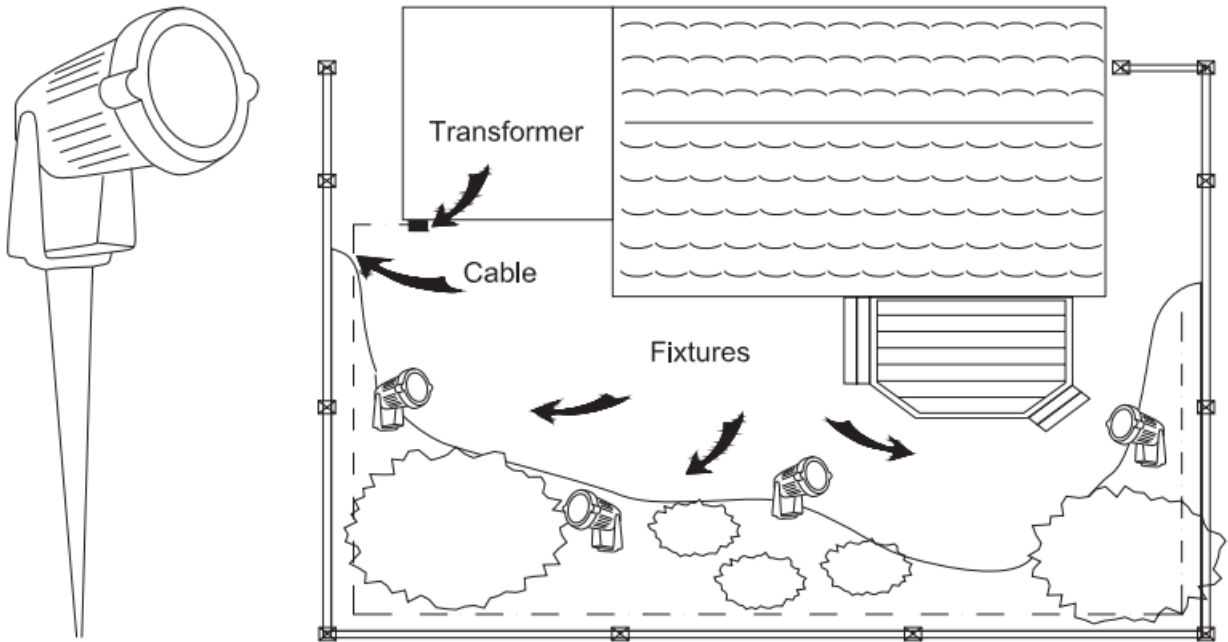


**NOTE:** Gently pull on the landscape cable to verify if the connection is strong.



## 3. Placing Your Fixtures and Routing the cable

Lay your fixtures (not included) to your desired location. Be sure they do not exceed the 120-watt rating of the transformer. Coil the rest of the cable after the last fixture.

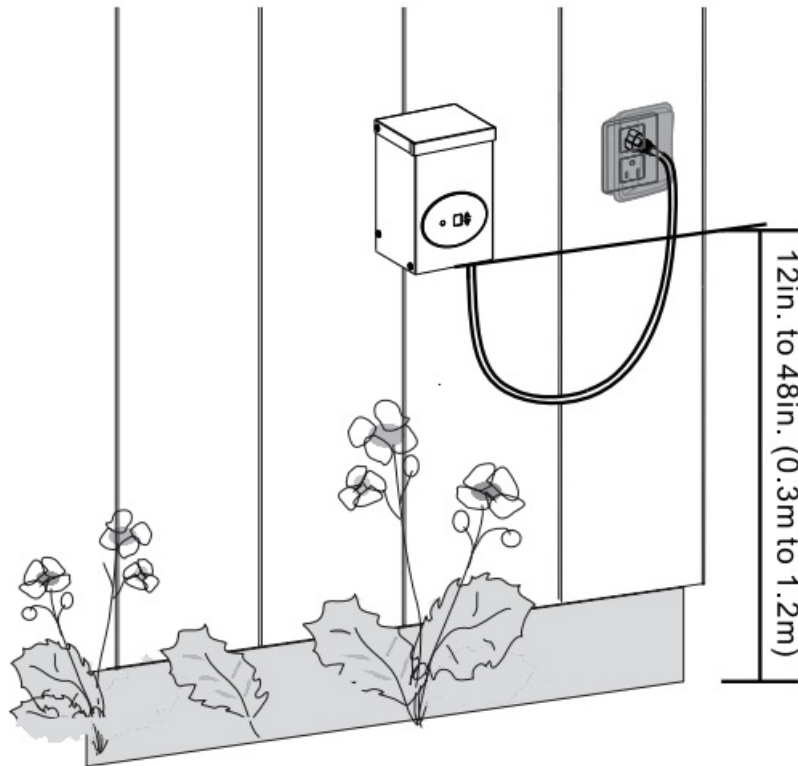


#### 4. Attaching Your Fixtures

Turn the transformer on. Use the cable connectors to attach your fixtures with the cable. Then it will light up.

#### 5. Mounting the Transformer

Use the screw to mount the transformer directly on a wall. 12 inch to 48 inch (0.3 m to 1.2 m) high from the ground would be suggested.



### OPERATING INSTRUCTION

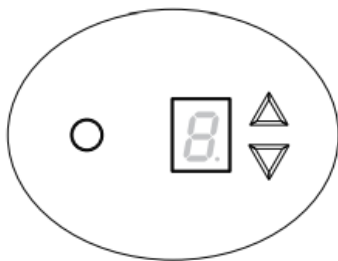


Figure 1

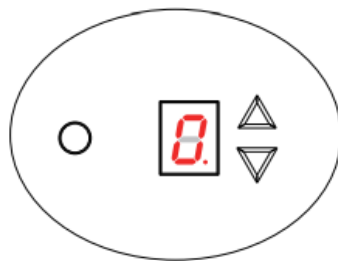


Figure 2

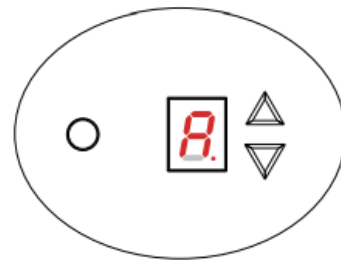


Figure 3

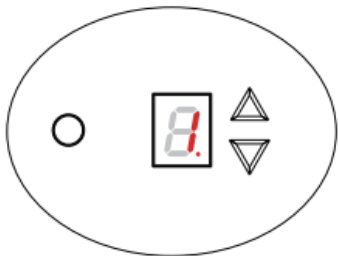


Figure 4

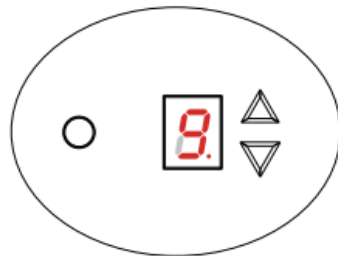


Figure 5

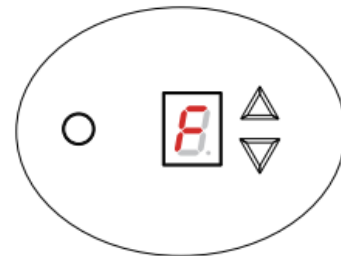


Figure 6

#### Figure 1: OFF MODE

The transformer does not work, there is no output voltage, and the load lamps will not light.

#### Figure 2: ON MODE

The transformer will maintain the output throughout the day, and the load lamps will always be on.

**Note:** If the “.” on the display goes off after a few seconds, it means that the wiring of the lamps is abnormal or the wire is broken. You need to cut off the power supply of the transformer to eliminate the abnormal situation, then restart the power supply.

#### Figure 3: AUTO MODE

In this mode, it will take 30s for the transformer to detect the extremal environment firstly. If it is night, the transformer will start output 30s later, then the load lamps will light on automatically and off at dawn. If it is during the day, the transformer will have no output and the load lamps will not light

#### Note:

If the light emitted by the load lamps shines on the sensor at night, it may cause the transformer to continuously switch on/off, and the load lamps flash continuously, with a flash interval of 30s.

#### Figure 4 & Figure 5: COUNTDOWN MODE

In this mode, it will also take 30s for the transformer to detect the external environment firstly. If it is night, the transformer will start output 30s later and the load lamps will light. Then they will turn off automatically when the the countdown is over. If it is during the day, the transformer will have no output and the load lamps will not light.

**Note:** When the system starts to count down, if the surrounding light shines on the sensor for more than 30s, the countdown will end, the transformer will stop output, and the load lamps will go out

#### Figure 6: FAILURE MODE

When the “F” lights, the outlet is overloaded or short circuit. To solve it, pull out the plug and check the circuit. Connect the power again after troubleshooting, the transformer will reset automatically.

**: Selecting the function On-Auto-Countdown-Off.**

#### TIPS:

1. When the transformer is working, the dot in the lower right corner of the display lights up. If the dot is not light up, it means that the transformer has no output voltage.
2. The transformer has a power-off memory function. After the transformer has been working in the current mode for 24 hours, the transformer will remember the current working mode. When the transformer powers on again, the transformer will enter the working mode before the power failure.
3. The transformer has two outputs with a total output power of 120VA.

## TROUBLE SHOOTING

### T1. The display shows “F”

Step 1: Unplug the transformer from the power outlet.

Step 2: Check if the transformer is overloaded or not.

Step 3: Check if there is a short circuit at the transformer terminals.

Step 4: Check whether the connection between the lamp and the buried wire is short-circuited.

Step 5: After troubleshooting, relog the transformer, it will automatically reset.

T2. In ON mode, the load lamp is off, the display shows “0”

Step 1: Unplug the transformer from the power outlet.

Step 2: Check if the transformer terminals are properly connected.

Step 3: Check whether the connection between the lamp and the buried wire is correct.

Step 4: After troubleshooting, relog the transformer, it will automatically reset.

**T3. In AUTO mode the display shows ” COUNTDOWN mode, the load lamp does not light, or “N” (N is the selected timing time).**

Step 1: Unplug the transformer from the power outlet.

Step 2: Check if the transformer terminals are properly connected.

Step 3: Check whether the connection between the lamp and the buried wire is correct.

Step 4: After troubleshooting, relog the transformer into the power outlet

Step 5: Press the up/down button to enter AUTO mode or COUNTDOWN mode, cover the sensor for more than 30s, the load lamp will light up.

## CABLE SELECTION CHART

12 VOLT TAP	Cable Length		
Total Fixture Wattage	0-50 feet	51-100 feet	100-150 feet
0-60 Watts	16 AWG	16 AWG	14 AWG
61-120 Watts	16 AWG	14 AWG	12 AWG
121-180 Watts	14 AWG	12 AWG	Not Recommended
181-240 Watts	14 AWG	12 AWG	Not Recommended
241-300 Watts	12 AWG	Not Recommended	Not Recommended

AWG' Not recommended for Halogen Landscape.



**NOTE:** This data is provided as a general guideline. Actual performance will depend on the installation layout, the fixtures, and the condition of the cable. If the wire diameter you use is thinner than the wire diameter recommended in the table, it may cause the flickering of the end lamps.

## SPECIFICATIONS

- Input Voltage: 120VAC, 60Hz
- Output: 12VAC
- Max Power Rating: 120W

## Packing List

- 1x Low-Voltage Transformer
- 2 x Screws
- 2 Wall Anchors
- 1x Instruction Manual

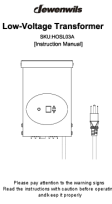
## One-year Limited Warranty

Supported by our professional R&D team and QC team, we provide One Year Warranty for materials and workmanship from the purchase date.

Please note that the warranty does not cover damage caused by personal misuse or improper installation. Please attach your Order ID and Name so that our dedicated customer service team can help you better.

# dewenwils

## Documents / Resources

	<p><a href="#">dewenwils HOSL03A Low Voltage Transformer</a> [pdf] Instruction Manual HOSL03A, HOSL03A Low Voltage Transformer, Low Voltage Transformer, Transformer</p>
---	--

[Manuals+](#)