



dB TECHNOLOGIES DVA S08dp Active Subwoofer User Manual

[Home](#) » [dB Technologies](#) » [dB TECHNOLOGIES DVA S08dp Active Subwoofer User Manual](#) 

Contents

- 1 dB TECHNOLOGIES DVA S08dp Active Subwoofer
- 2 DESCRIPTION
- 3 CHARACTERISTICS
- 4 CONNECTIONS
- 5 LOUDSPEAKER INSTALLATION
- 6 TECHNICAL SPECIFICATIONS
- 7 CONTROLS AND FUNCTIONS
- 8 DIMENSIONS
- 9 CONFIGURATION and CABLE CONNECTIONS
- 10 CONFIGURATION and CABLE CONNECTIONS
- 11 CONFIGURATION and CABLE CONNECTIONS
- 12 Documents / Resources
 - 12.1 References
- 13 Related Posts



dB TECHNOLOGIES DVA S08dp Active Subwoofer



DESCRIPTION

The DVA S08dp speaker is equipped with DIGIPRO® series class D amplifier.

These high-efficiency amplifiers deliver high output power in a compact size and low weight. Thanks to its high efficiency, the cooling of the amplifier module is obtained statically, thus avoiding the use of a fan.

The power supply circuit of the DIGIPRO® amplifier assembled on a DVA S08dp speaker has been designed to work according to the power supply voltage and to the SMPS (Switched-Mode Power Supplies) technology.

The DVA S08dp is an active subwoofer made of birch plywood, designed for medium to large size rooms in bass-reflex design.

The speaker is designed for supported use

For easy use, installation and transport, all subwoofers are provided with:

- handle on the top
- standard (M20) pole mount plate on the top and on the side

The DVA S08dp is designed to work in stereo and in mono mode. It is possible to set the crossover frequency to 90Hz or 120Hz and adjust the phase (0° or 180°).

The output signals (OUT 1,2) can be linked to the input signal or routed to X-OVER output.

CHARACTERISTICS

Cooling

The amplifier is cooled by means of the aluminum panel placed on the back of the speaker.

The thermal protection is ensured by an internal circuit that controls the temperature of the amplifier and protects this against any risk of overheating thus limiting the general volume (temperature >70°C).

If the temperature reaches the maximum operating temperature (>80°C), the audio signal is set to the "MUTE" position and it will be indicated by the switching on of the yellow "MUTE" LED.

The required volume and all functions will be restored automatically when the normal operating temperatures are reached.

Protection

When the yellow “MUTE” LED turns on, it means that a malfunction has been detected on the speaker, thus setting this to the mute position.

Perform the checks listed below:

- Check if the speaker is properly connected to the power supply.
- Make sure that the power supply is of the correct voltage.
- Check that the amplifier is not overheated.
- Disconnect the speaker from the mains power supply, wait for a few minutes and connect it again.

If after these tests the yellow “MUTE” LED is still on, please contact an authorized service center.

CONNECTIONS

Connecting to the mains supply

Each active speaker features its own power cable. Connection is done by a Neutrik POWER CON® (blue) model which permits easy and fast connection to the speaker as well as being an excellent locking system.

The same connector serves as a switch to turn ON and OFF the active loudspeaker by turning the connector to the left (OFF) or right (ON).

The active speaker must be connected to a power supply able to deliver the maximum required power.

Main power supply linking

On the rear of the speaker, a Neutrik POWER CON® connector (grey) offers to link the mains power supply.

This socket links the power supply to another speaker, thereby reducing the direct connections to the mains.

Maximum amplifier input power is shown on the amplifier panel. The maximum number of speakers connected together varies of max input power and of the maximum allowed current of the first power socket.

LOUDSPEAKER INSTALLATION

WARNING

Make sure that the loudspeaker is securely installed in a stable position to avoid any injuries or damages to persons or property.

For safety reasons do not place one loudspeaker on top of another without proper fastening systems.

If you use the loudspeakers outdoors avoid places that are exposed to bad weather.

The loudspeaker is supplied by the manufacturer company for use in support

WARNING

Never use the handle to hang the speaker!

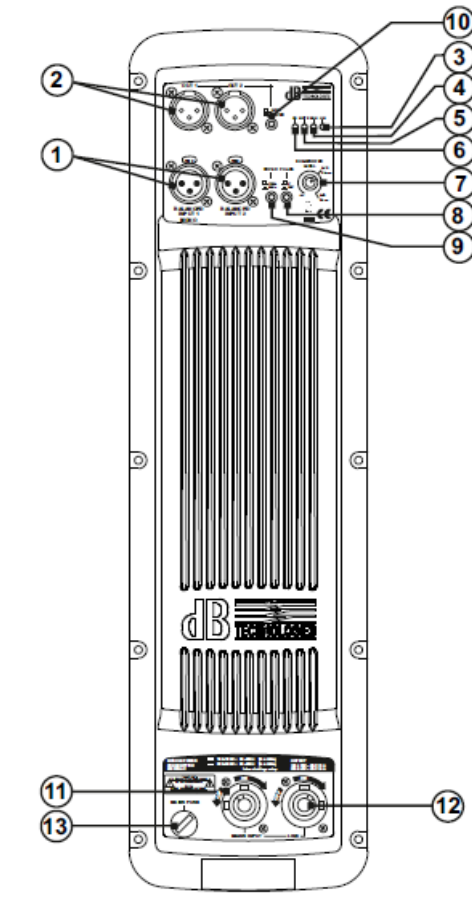
TECHNICAL SPECIFICATIONS

System	Active
Type of amplifier	Class D – DIGIPRO
RMS power	800W
Frequency response	40-150Hz (+/-3dB)
Crossover	90Hz – 120Hz selectable 24dB/oct
Sound pressure (max SPL)	131dB
Components	1×12" woofer – 3" voice coil
Input sensitivity	max -3dBu
Impedance input	Balanced 20Kohm Unbalanced 10Kohm
Power supply	Internally selectable 100-120Vac 50-60Hz 220-240Vac 50-60Hz
Housing shape	Rectangular
Color	Black
Dimension (WxHxD)	520x360x500mm
Weight	22Kg
Pole mount cup	2xM20 (aluminum)
Handle	1 (on top)

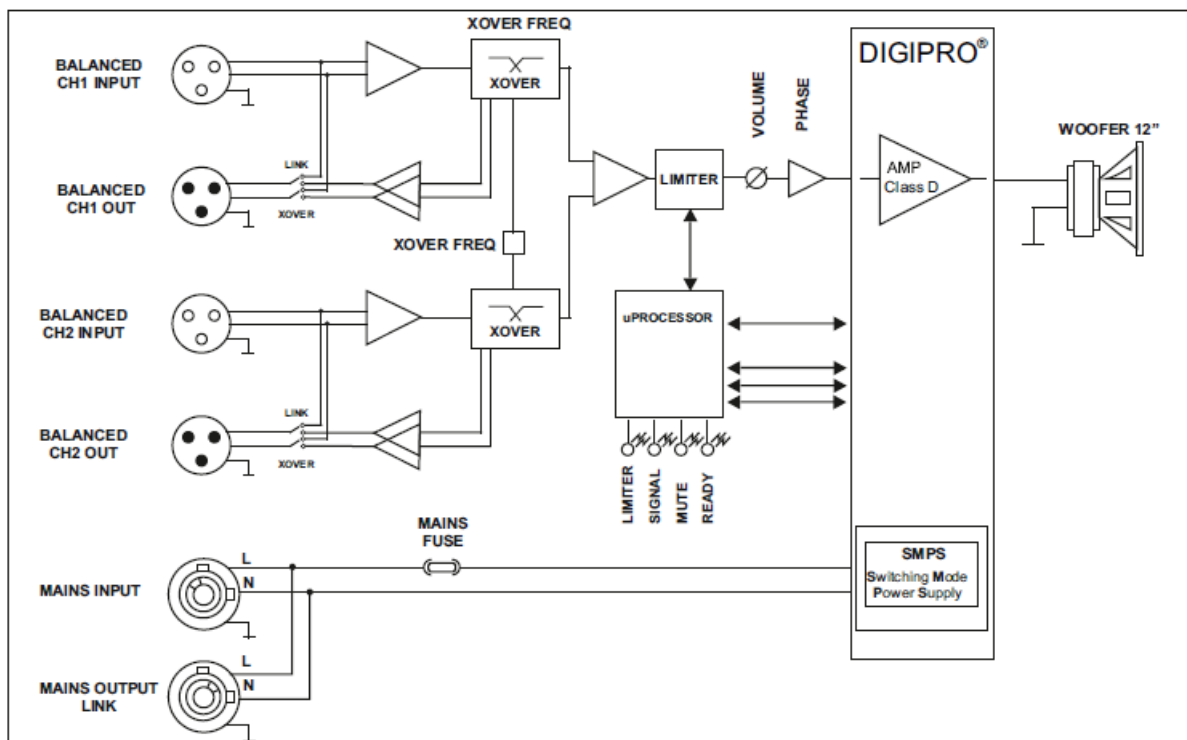
EMI CLASSIFICATION

According to the standards EN 55103, this equipment is designed and suitable to operate in E3 (or lower E2, E1) Electromagnetic environments.

CONTROLS AND FUNCTIONS



**SCHEMA A BLOCCHI / BLOCK DIAGRAM
BLOCKSCHALTBIKD / SCHEMAS FONCTIONNELS / ESQUEMA POR BLOQUES**



1. " BALANCED INPUT 1" AND " BALANCED INPUT 2" INPUT CONNECTORS

Balanced inputs at line level. Accept "XLR" sockets.

2. "OUT 1 " AND "OUT 2 " OUTPUT CONNECTORS

The "XLR" connectors are used to send the input audio signal to another amplified speaker.

The output signal is selected by the "LINK/XOVER" (10) switch.

3. **“LIMITER” INDICATOR LIGHT**

This indicator shows red to indicate that the internal limiter circuit has tripped.

This prevents amplifier distortion and protects the speakers against overloads.

4. **“SIGNAL” INDICATOR LIGHT**

This indicator shows green to indicate the presence of the audio signal (at a level of – 20dB).

5. **“MUTE” INDICATOR LIGHT**

This yellow indicator indicates amplifier status.

The LED is off in normal operating conditions.

6. **“READY” INDICATOR LIGHT**

This indicator shows green to indicate that the main power voltage is correct.

The LED shows green normal operating conditions

7. **“INPUT SENS” INPUT SENSITIVITY CONTROL**

This control adjusts the sensitivity of the signal amplifier input.

This control does not affect the “OUT 1 ” and “OUT 2 ” outputs levels

8. **“PHASE” SWITCH**

This two-position switch permits reversing the audio signals phase of the subwoofer by 180°.

Reversing makes it easier to optimize the reproduction of the low frequencies even in the most difficult installation situations. After completing the installation, play a music track and activate the switch to achieve the best sound reproduction at low frequencies.

9. **“XOVER” SWITCH**

This switch permits selecting the crossover frequency between the subwoofer and the speakers connected to the “OUT 1 ” and “OUT 2 ” outputs. The choice depends on the type of speaker used for the reproduction of mid-high frequencies. For speakers with 12” cones, it is best to use 120Hz, while with 15” speakers 90Hz.

10. **“LINK/XOVER” SWITCH**

This switch allows selecting the signal type to send “OUT 1 ” and “OUT 2 ” outputs.

The “LINK” position allows linking the same input signal.

The “XOVER” position allows sending input signal according to the crossover frequency selected by XOVER (9) switch.

11. **“MAINS INPUT” POWER SOCKET**

For connecting the power cable provided.

The connector used for the mains connection is a POWER CON® (blue) socket

12. **“MAINS OUTPUT LINK” POWER SOCKET**

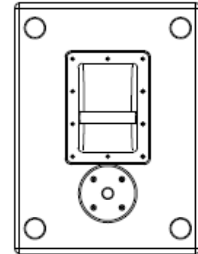
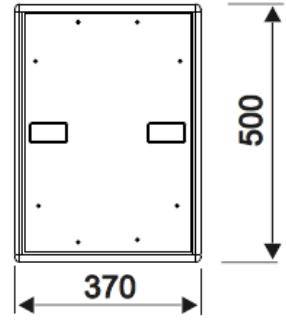
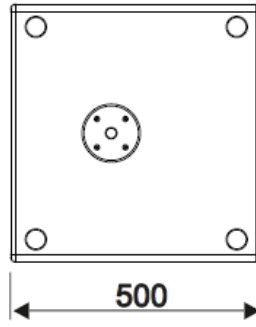
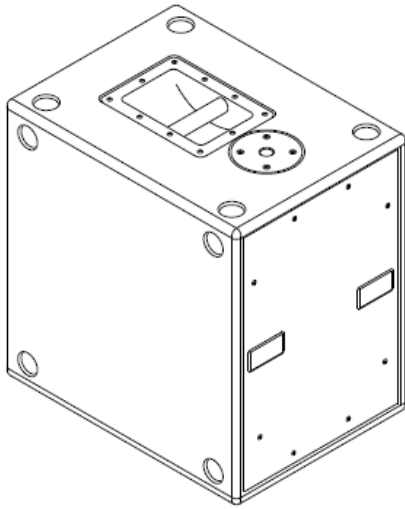
For linking the mains power. The output is connected in parallel with input (11) and can be used to power another active speaker.

The connector is a POWER CON® (grey) socket

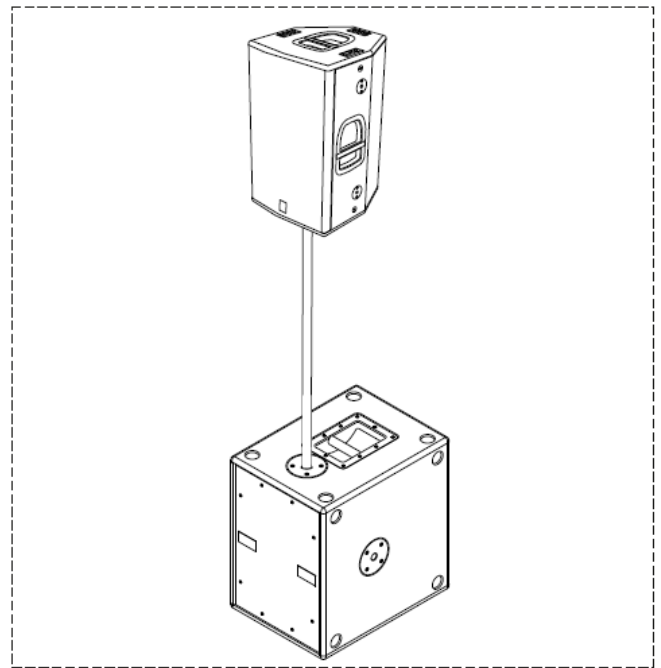
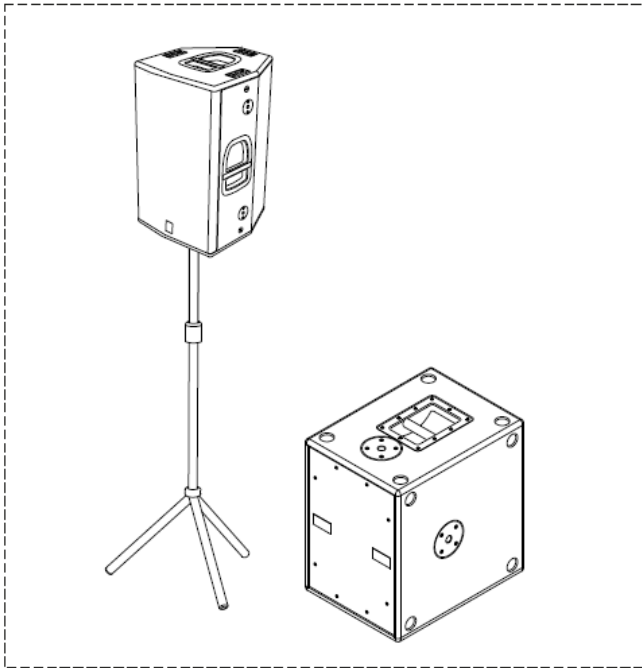
13. **“MAINS FUSE” FUSE CARRIER**

Mains fuse housing.

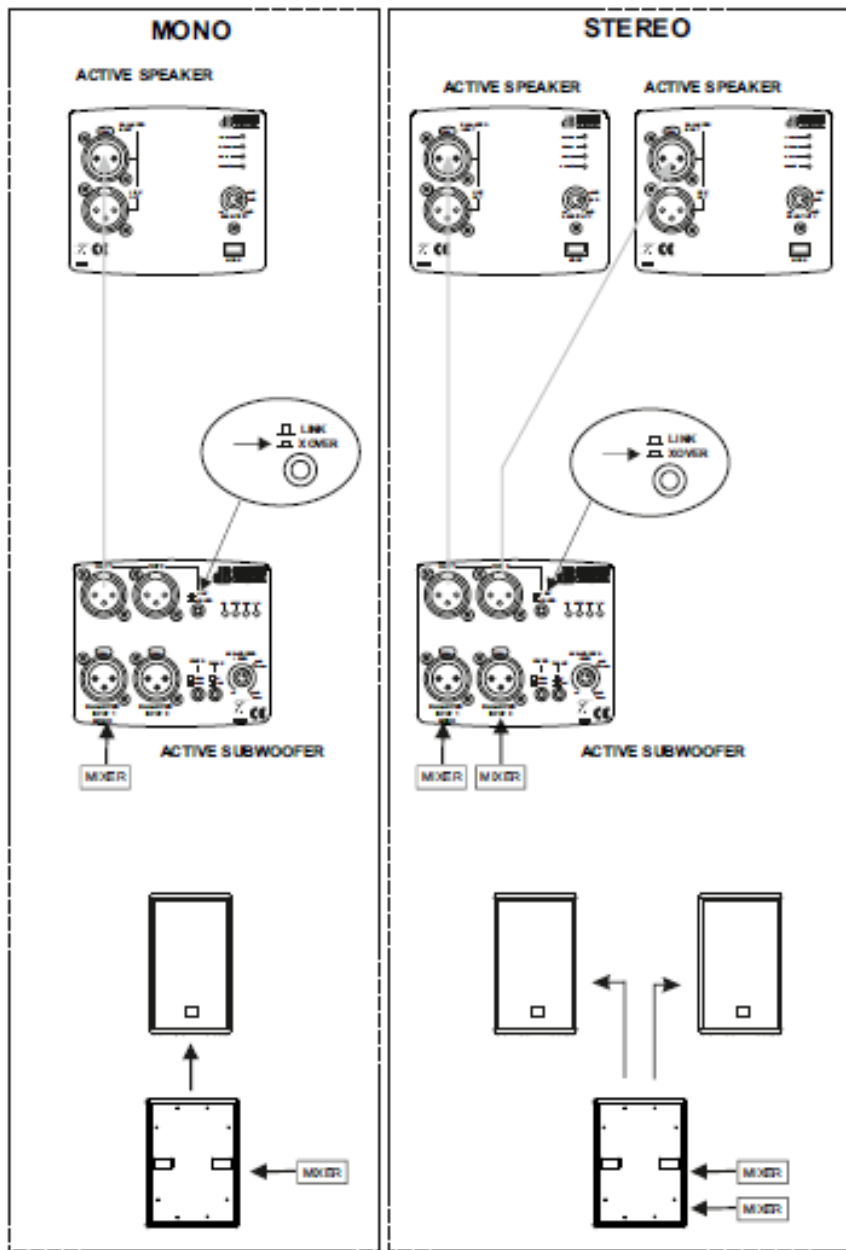
DIMENSIONS



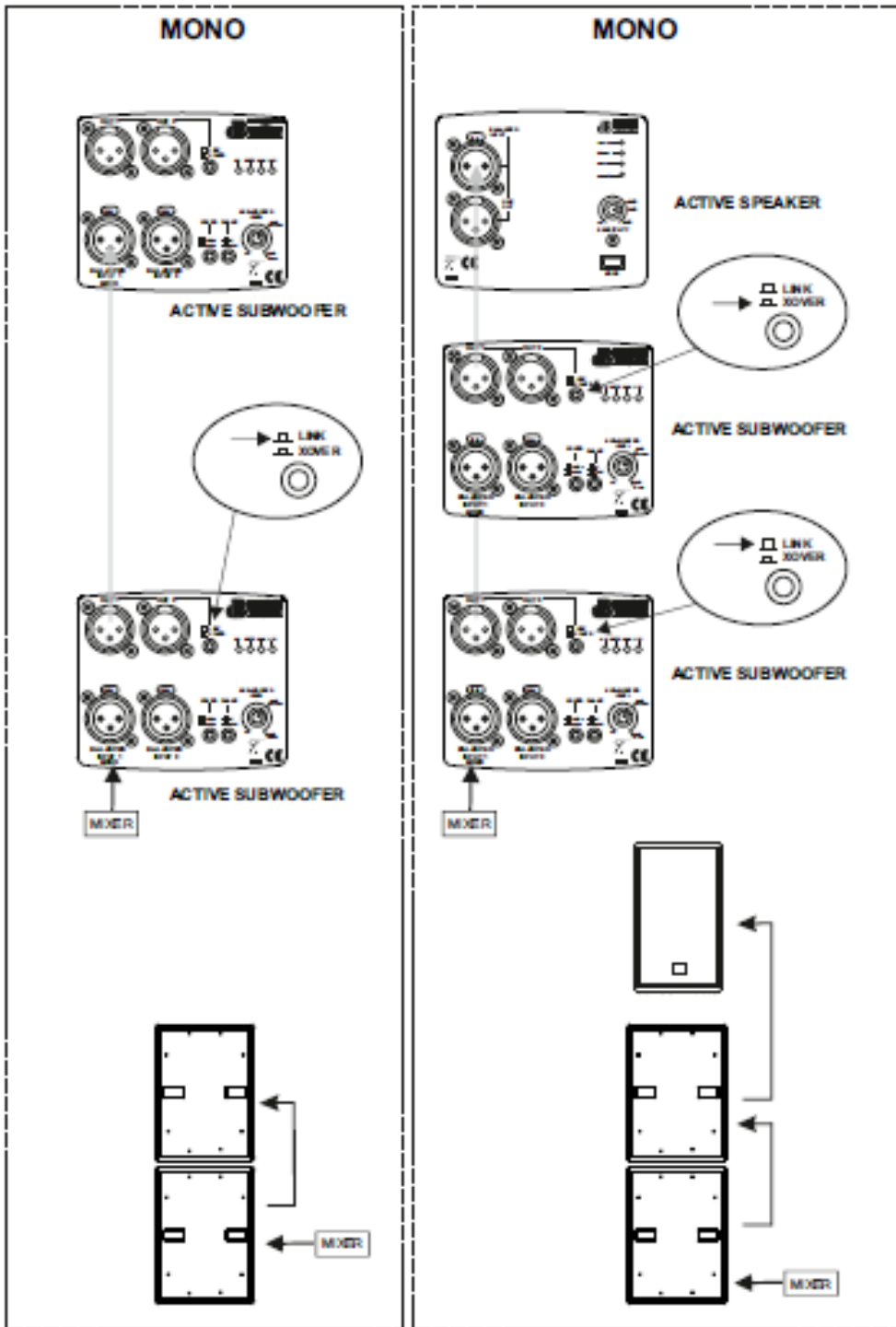
CONFIGURATION and CABLE CONNECTIONS




CONFIGURATION and CABLE CONNECTIONS



CONFIGURATION and CABLE CONNECTIONS



Documents / Resources

	<p>dB TECHNOLOGIES DVA S08dp Active Subwoofer [pdf] User Manual DVA S08dp, Active Subwoofer, DVA S08dp Active Subwoofer</p>
---	--

References

- [AEB Software for Global Trade and Logistics](#)
- [dBTechnologies - Professional Audio Equipment](#)