



## Danfoss RJ45 OAX00 USB-C Adapter Installation Guide

[Home](#) » [Danfoss](#) » Danfoss RJ45 OAX00 USB-C Adapter Installation Guide 

### Danfoss RJ45 OAX00 USB-C Adapter Installation Guide



#### Contents

- [1 Installation and Usage](#)
  - [1.1 Description](#)
  - [1.2 Product Overview](#)
  - [1.3 Safety Precautions](#)
  - [1.4 Installation](#)
  - [1.5 Preparation](#)
  - [1.6 Using MyDrive® Insight with the Quick Adapter](#)
- [2 Documents / Resources](#)
  - [2.1 References](#)
- [3 Related Posts](#)

### Installation and Usage

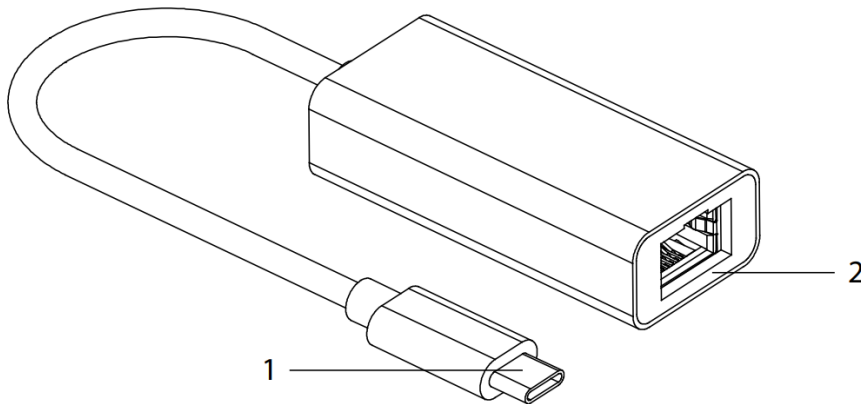
#### Description

This installation guide explains how to install and use the Quick Adapter USB-C/RJ45 OAX00 with iC2-Micro Frequency Converters.

### Item Supplied

1 Quick Adapter USB-C/RJ45 OAX00 (code number: 132G0326)

### Product Overview



**Figure 1: Quick Adapter USB-C/RJ45 OAX00**

1. USB-C connector
2. RJ45 port

### Safety Precautions

Only qualified personnel are allowed to install the Quick Adapter USB-C/RJ45 OAX00 described in this installation guide.

For important information about safety precautions for installation, refer to the operating guide of the iC2-Micro Frequency Converters.

### Installation

Establish the connection between a device (for example, a PC) and an iC2-Micro drive via the Quick Adapter

USB-C/RJ45 OAX00 as follows:

- Connect the USB-C connector on the Quick Adapter USB-C/RJ45 OAX00 to the device.
- Connect the Quick Adapter USB-C/RJ45 OAX00 and the iC2-Micro drive with an Ethernet cable (shielded CAT5e cable is recommended) via RJ45 ports.

### NOTICE

The Ethernet cable is not provided with the Quick Adapter USB-C/RJ45 OAX00, the following shielded cable options are available from Danfoss and can be purchased separately.

- 1.5 m (4.9 ft) cable option (code number: 132G0237)
- 3 m (9.8 ft) cable option (code number: 132G0238)

### Preparation

Normally, it is driver-free for the Quick Adapter USB-C/RJ45 OAX00 connecting to a device with Windows operating systems. Make sure that the Quick Adapter USB-C/RJ45 OAX00 can be found in the device, if not, download the latest driver (CP210x windows driver) from <https://www.silabs.com/interface-software> and install.

## Using MyDrive® Insight with the Quick Adapter

MyDrive® Insight is a platform-independent software tool. After connecting the iC2-Micro drive with a device using the Quick Adapter USB-C/RJ45 OAX00, MyDrive® Insight supports the following features:

- Intuitive user interface.
- Fast and easy configuration, commissioning, and engineering.
- Backup and restore of parameter settings.
- Monitor the iC2-Micro drive as part of daily operations.
- Collect data and information for troubleshooting, maintenance, and service.

Even when the iC2-Micro drive is not powered on, the device and the iC2-Micro drive can be connected via the Quick Adapter USB-C/

RJ45 OAX00. In this case, the control card of the iC2-Micro drive gets power from the device via the Quick Adapter USB-C/RJ45 OAX00.

### NOTICE

When using the Quick Adapter USB-C/RJ45 OAX00 to connect a device with an iC2-Micro drive, make the following settings for MyDrive® Insight.

- **Connection type:** Serial
- **Baud rate:** 115200
- **Address:** 1

### NOTICE

Make sure to use the latest MyDrive® Insight version which is available from MyDrive@ Suite website: <https://suite.mydrive.danfoss.com/>.

### NOTICE

When connecting an iC2-Micro drive with a device via the Quick Adapter USB-C/RJ45 OAX00, updating the firmware of the iC2- Micro drive from the device is NOT supported.

### NOTICE

When the iC2-Micro drive is not powered on, but connected with a device via the Quick Adapter USB-C/RJ45 OAX00:

- FAULT 38, Internal Fault is shown in the display of the control panel. Reset the FAULT 38, Internal Fault manually when the iC2-Micro drive is powered on again.
- Only parameter configurations, backup and restore of parameter settings are supported.

### Danfoss A/S

Ulsnaes 1

DK-6300 Graasten

[drives.danfoss.com](https://drives.danfoss.com)



Any information, including, but not limited to information on selection of product, its application or use, product design, weight, dimensions, capacity or any other technical data in product manuals, catalog descriptions, advertisements, etc. and whether made available in writing, orally, electronically, online or via download, shall be considered informative, and is only binding if and to the extent, explicit reference is made in a quotation or order confirmation. Danfoss cannot accept any responsibility for possible errors in catalogs, brochures, videos and other material. Danfoss reserves the right to alter its products without notice. This also applies to products ordered but not delivered provided that such alterations can be made without changes to form, fit or function of the product. All trademarks in this material are property of Danfoss A/S or Danfoss group companies. Danfoss and the Danfoss logo are trademarks of Danfoss A/S. All rights reserved.



---

## Documents / Resources

	<p><a href="#">Danfoss RJ45 OAX00 USB-C Adapter</a> [pdf] Installation Guide RJ45 OAX00, RJ45 OAX00 USB-C Adapter, USB-C Adapter, Adapter</p>
--	---

## References

- [User Manual](#)

[Manuals+](#), [Privacy Policy](#)

This website is an independent publication and is neither affiliated with nor endorsed by any of the trademark owners. The "Bluetooth®" word mark and logos are registered trademarks owned by Bluetooth SIG, Inc. The "Wi-Fi®" word mark and logos are registered trademarks owned by the Wi-Fi Alliance. Any use of these marks on this website does not imply any affiliation with or endorsement.