

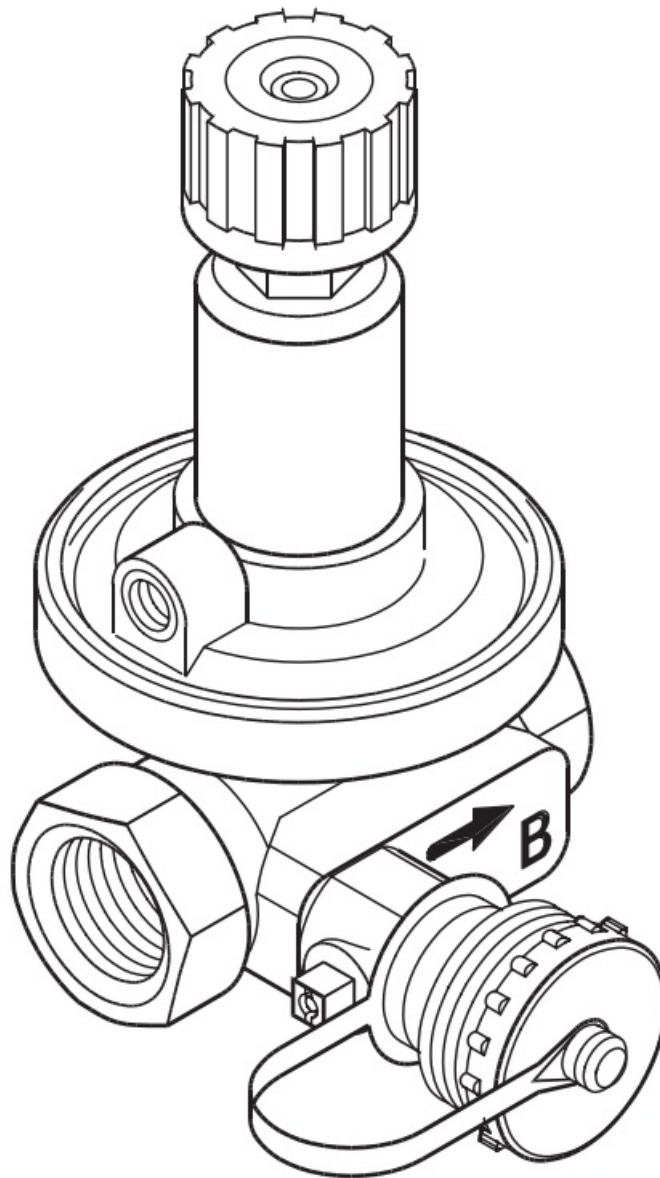


# Danfoss Automatic Balancing Valves ASV-P Instruction Manual

[Home](#) » [Danfoss](#) » Danfoss Automatic Balancing Valves ASV-P Instruction Manual 

*Danfoss*

Automatic Balancing Valves ASV-P  
Instruction Manual



## Contents

- [1 Automatic Balancing Valves ASV-P](#)
- [2 Installation](#)
- [3 Pressure testing](#)
- [4 Starting](#)
- [5 Fault location](#)
- [6 Insulation](#)
- [7 Documents / Resources](#)
- [8 Related Posts](#)

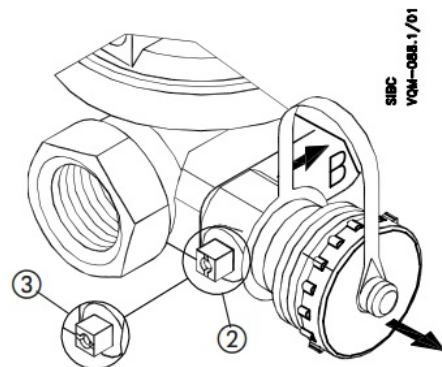
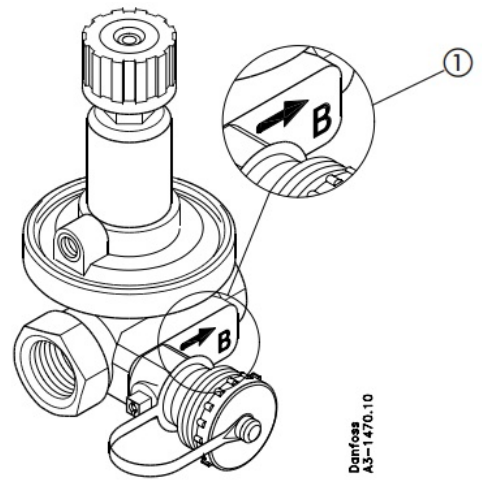
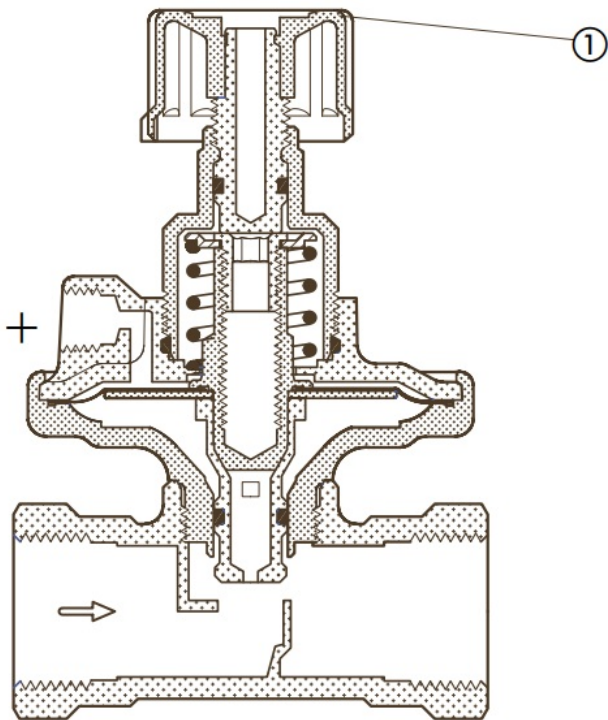
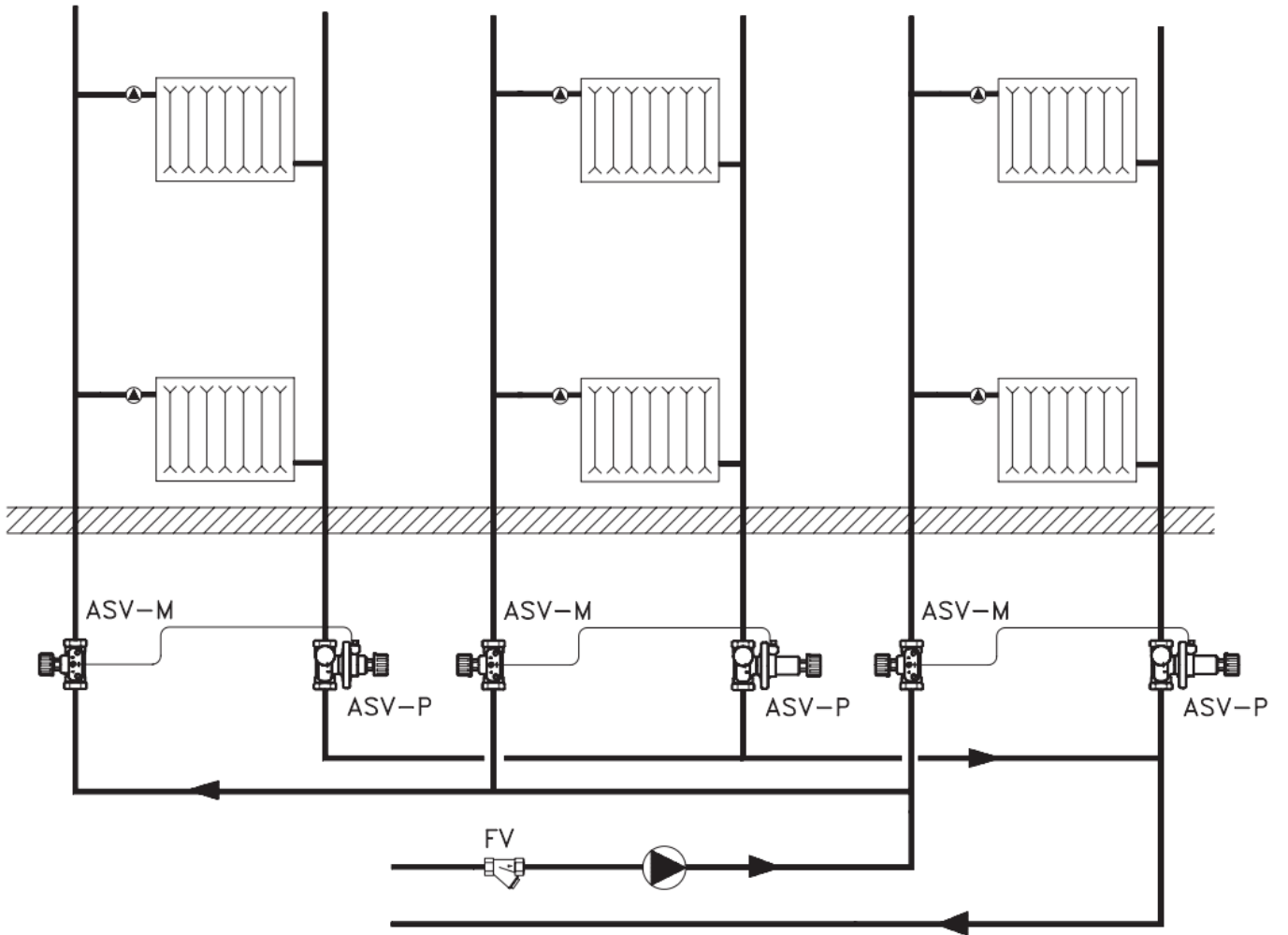
## Automatic Balancing Valves ASV-P

### Operating Guide

#### ASV-P

Automatic balancing valves ASV-P

[www.danfoss.com](http://www.danfoss.com)



Balancing valve ASV-P is used together with shut-off and measuring valve ASV-M to control the differential pressure in riser pipes where radiator valves have presetting facilities ❶. ASV-P maintains constant differential pressure across the pipes.  
 Max. working pressure.....16 bar  
 Differential pressure across valve .....10-max.150 a  
 Max. flow temperature .....120 °C

Valve size	Internal thread	External thread
DN 15	Rp ½	G ¾ A
DN 20	Rp ¾	G 1 A
DN 25	Rp 1	G 1 ¼ A
DN 32	Rp 1 ¼	G 1 ½ A
DN 40	Rp 1 ½	G 1 ¾ A

Impulse line: G 1/16

## Installation

ASV-P must be installed in the return pipe. The flow must be in the direction of the cast-in arrow ❸❹.

It is recommended that an FV filter be installed in the system flow pipe.

The impulse tube must be fitted on the flow pipe, e.g. via an ASV-M valve. The tube must be flushed through before being fitted on the + connection of the ASV-P balancing valve ❷.

ASV-P must in addition be installed as determined by installation conditions. When the system has been in use for some time, the connections with external threads should be tightened once again to minimize the risk for leakage.

### Shut-off

Turning the ASV-P knob fully clockwise will shut off the balancing valve ❷❶.

## Pressure testing

Max. test pressure .....25 bar

**Note:** When pressure testing you must secure that both sides of the membrane have the same static pressure. That means the impulse tube must be connected and any needle valves must be open.

If ASV-P/PV is installed in combination with ASV-M both valves can be opened or closed (both valves must be in the same position!). If ASV-P/ PV is installed in combination with ASV-I both valves must be open. If this instruction is ignored, the membrane of the automatic balancing valve might be damaged.

## Starting

You can fill the system with the drain connection on ASV-P/PV. The system shall be ventilated at the highest point. When opening the shut-off from ASV-P/PV please secure that you have the same static pressure on both sides of the membrane.

### Note!

If this procedure is not followed ASV-P may become locked in a closed position even if the valve is fully opened.

### Tapping

The connection (closed, ❸❷ – open, ❸❸) can be used for water tapping and filling.

## Fault location

Check the following if the balancing valve does not function correctly:

1. Is the flow direction through the valve correct?
2. Is the impulse tube fitted correctly and are any needle valves open?
3. Is the valve shut-off open?

Accessory	Code no.
Impulse tube, 1.5 m	003L8152
Impulse tube, 5 m	003L8153
Measuring connection for drain connection	003L8143

## Insulation

The styrofoam packaging in which the valve is supplied can be used as an insulation jacket for temperatures up to 80 °C.

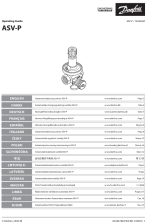
## Danfoss A/S Climate Solutions

- [danfoss.com](http://danfoss.com)
- +45 7488 2222

Any information, including, but not limited to information on the selection of the product, its application or use, product design, weight, dimensions, capacity or any other technical data in product manuals, catalogs descriptions, advertisements, etc., and whether made available in writing, orally, electronically, online or via download, shall be considered informative and is only binding if and to the extent, explicit reference is made in a quotation or order confirmation. Danfoss cannot accept any responsibility for possible errors in catalogs, brochures, videos, and other material. Danfoss reserves the right to alter its products without notice. This also applies to products ordered but not delivered provided that such alterations can be made without changes to the form, fit or function of the product.

All trademarks in this material are property of Danfoss A/S or Danfoss group companies. Danfoss and the Danfoss logo are trademarks of Danfoss A/S. All rights reserved.

## Documents / Resources

	<p><a href="#">Danfoss Automatic Balancing Valves ASV-P</a> [pdf] Instruction Manual Automatic Balancing Valves ASV-P, Automatic Balancing Valves, ASV-P</p>
---	--