



Danfoss 520H0620 Multi Function Tool Installation Guide

[Home](#) » [Danfoss](#) » Danfoss 520H0620 Multi Function Tool Installation Guide 

Danfoss 520H0620 Multi Function Tool



Contents

[1 Installation Instruction](#)

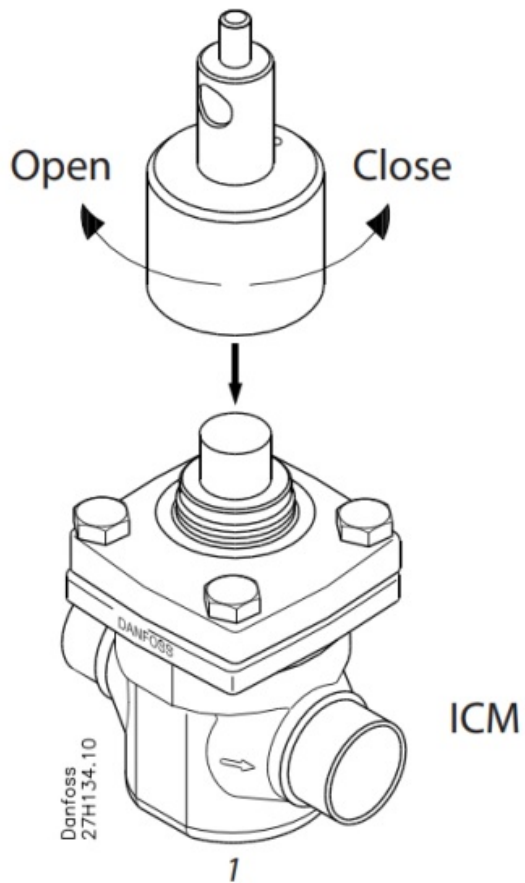
[2 Documents / Resources](#)

[2.1 References](#)

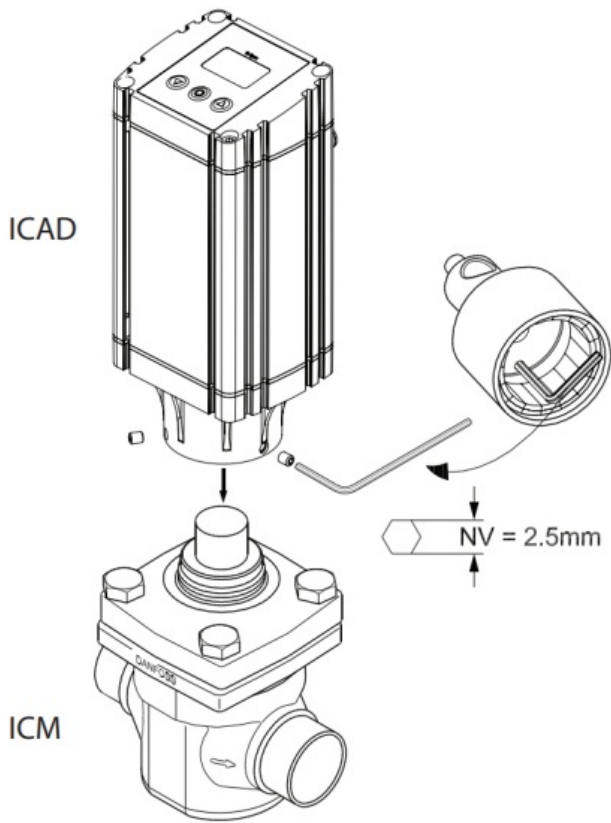
[3 Related Posts](#)

Installation Instruction

1. Manual open / close of ICM without ICAD installed

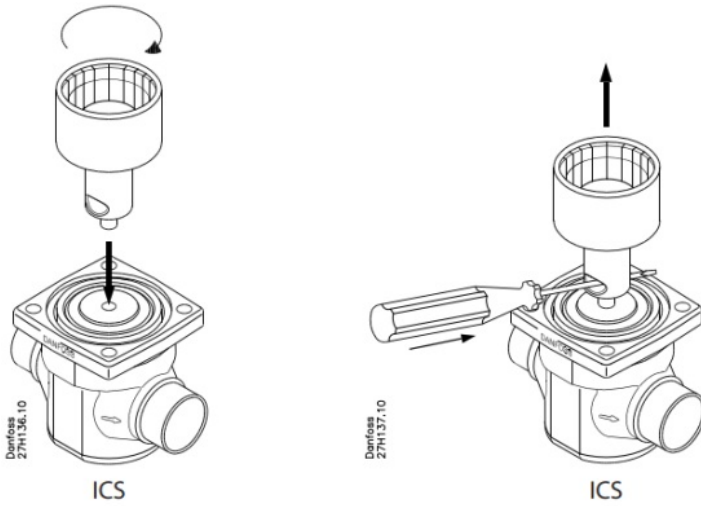


2. Mounting of ICAD on ICM

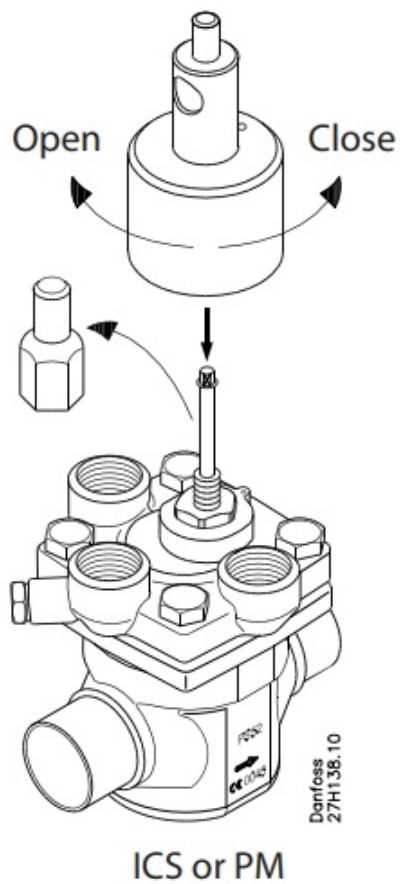


Nm	LB-feet
3	2.5

3. Removal of function module (ICS)



4. Operation of manual spindle (ICS or PM)



© Danfoss A/S (MWA), 2015-01
DKRCI.PI.HU0.A3.02 / 520H0620



Documents / Resources

	<p>Danfoss 520H0620 Multi Function Tool [pdf] Installation Guide 027R9781, 520H0620, 520H0620 Multi Function Tool, Multi Function Tool, Function Tool</p>
--	---

References

- [User Manual](#)

[Manuals+](#) [Privacy Policy](#)

This website is an independent publication and is neither affiliated with nor endorsed by any of the trademark owners. The "Bluetooth®" word mark and logos are registered trademarks owned by Bluetooth SIG, Inc. The "Wi-Fi®" word mark and logos are registered trademarks owned by the Wi-Fi Alliance. Any use of these marks on this website does not imply any affiliation with or endorsement.