

[Skip to content](#)

Manuals+

User Manuals Simplified.



COSTWAY GT3479 Hydraulic Lawn Mower Lift Jack for Tractors and Zero Turn Riding Lawn Mowers 500lbs Capacity User Manual

May 8, 2022 May 8, 2022 [Leave a comment on COSTWAY GT3479 Hydraulic Lawn Mower Lift Jack for Tractors and Zero Turn Riding Lawn Mowers 500lbs Capacity User Manual](#)

[Home](#) » [COSTWAY](#) » [COSTWAY GT3479 Hydraulic Lawn Mower Lift Jack for Tractors and Zero Turn Riding Lawn Mowers 500lbs Capacity User Manual](#) 

Contents [hide](#)

[1 COSTWAY GT3479 Hydraulic Lawn Mower Lift Jack for Tractors and Zero Turn Riding Lawn Mowers 500lbs Capacity](#)

[2 DIAGRAM & PART LIST](#)

[3 SPECIFICATIONS](#)

[4 HOW TO INSTALL?](#)

[5 Maintenance and Servicing](#)

[6 Documents / Resources](#)

[6.1 Related Manuals / Resources](#)

COSTWAY

COSTWAY GT3479 Hydraulic Lawn Mower Lift Jack for Tractors and Zero Turn Riding Lawn Mowers 500lbs Capacity

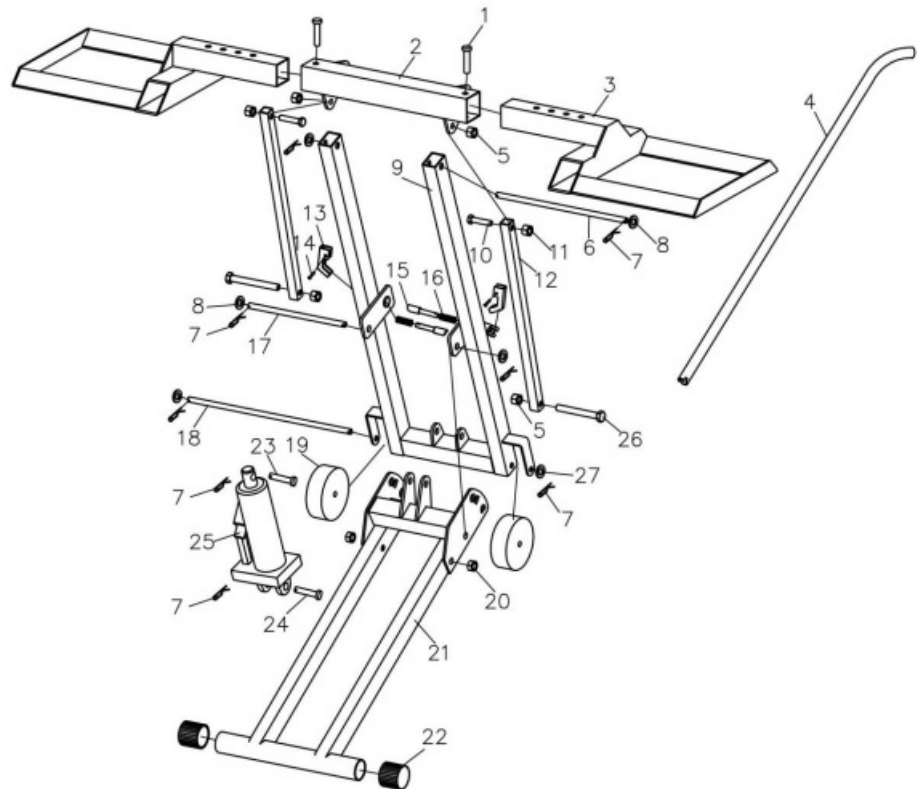


DIAGRAM & PART LIST

1	Cradle Lock Pin M10x55	2	15	Brake Pin	2
2	Top Frame	1	16	Spring	2
3	Cradle	2	17	Medium Axle	1
4	Handle	1	18	Bottom Axle	1
5	Lock Nut M10	4	19	Caster	2
6	Top Axle	1	20	Hex Nut M10 Small	2
7	R-pin 1.5mm	8	21	Bottom Frame	1
8	M12Washer	4	22	Front Cap	2
9	Lift Arm	1	23	Cylinder Pin M12x40	1
10	Hex Bolt M10x50	2	24	Jack Base Pin M12x60	1
11	Hex Nut M10	2	25	Hydraulic Jack	1
12	Side Rod	2	26	Hex Bolt M10x80	2
13	Brake Puller	2	27	M10Washer	2
14	Rivet M4x18	2			

SPECIFICATIONS

- Maximum Capacity: 500 LBS.
- Lift Range: 0-24in.
- Maximum Tire Wide: 10.5in.
- Fit Tire Dia.: 10-17in.
- Inner Wheel Tread: 18.5-26in.
- Outer Wheel Tread: 40-47.6in.

HOW TO INSTALL?

1. While you receive this item, almost all part were already installed.
2. Put out the lift and place on the solid flat ground. Insert the bottom Axle {18} onto the lift as diagram shows (may already installed), add 2 Casters {19} on both side of the axle and locked by the R-Pin (7) with washers (27) inside.
3. Install the Cradle (3) onto the Top Frame (2) from both side, adjust the position (width) of both Cradles and lock the position with the Lock Pin (1), make sure cradles fit under the ATV/Mower's wheel perfectly, do NOT let the wheel outside of the cradle edge, it may cause the ATV/Mower fall during lifting and cause damage and personal injury.

BLEEDING

IMPORTANT! before first use, check for proper hydraulic fluid level in the hydraulic Jack {25}. Then thoroughly test the Lift for proper operation prior to its actual use. If the Lift appears not to be working properly, it may be necessary to bleed its hydraulic system of excess air. 1. Remove the Fluid Fill Plug on the side of the Bottle Jack. 2. Put loads (weights) on to the lift first, then anticlockwise turn the pump handle (4) to release the valve. 3. While hold the weight and pump in released situation, quickly pump the handle (4) up and down several times to purge air from the system. 4. Check the fluid fill hole and, if necessary, top off the jack's Fluid Reservoir with high grade hydraulic fluid (sold separately). 5. Replace the Fluid Fill Plug. 6. Test the Lift several times for proper operation before attempting to lift a load. If, after purging, the Lift still does not appear to be working properly, do not use the Lift until it has been repaired by a qualified service technician. Adding Hydraulic Fluid 1. Remove the Fluid Fill Plug on the side of the Bottle Jack. 2. Add high grade hydraulic fluid (sold separately) into the fluid fill hole slowly until the fluid just begins to run out of the hole. 3. Replace the Fluid Fill Plug.

LIFTING

1. Pull out (unlock) the Brake Puller (13) for the safety device on both side of the lift.
2. Lower the Lift by contra rotate the handle (4), put some weight on the cradle if it's needed.
3. Align the mower/ATV front wheels with both cradles, slowly move the mower/ATV on to the cradle,once

positioned under the load, push back the Brake Puller (13) on both side of the Lift. (You may need to put wheel chocks on the back side of the casters to keep lift sturdy while ride on the mower/ATV).

4. Use tie-down straps (sold separately) to secure the load. Repeatedly depress the handle (4) slowly to raise the Lift. When the Lift makes contact with the load, make sure the load sits evenly on the Cradle (3) before raising the load. If the load is not evenly distributed on the two Cradle (3) or not secured in place with tie-down straps, it may fall from the Lift, resulting in personal injury and property damage.
5. Continue to raise the Lift to the desired height. Lock the Lift at one of the three locking positions on the Brake Puller (13). Not engaging the Brake Puller (13) may result in serious injury or death, and damage the Lift. (See ATV or motorcycle owner's manual for recommended lifting points.)

LOWERING

1. Carefully remove all tools, parts, etc. from under the Lift.
2. Depress the handle (4) slowly to raise the Lift enough to disengage the Brake Puller (13).
3. Contra rotate the Handle (4) slowly and gently to lower the load. Never allow the load to come down quickly or suddenly.
4. Once the load is on the ground, remove the tie-down straps.
5. Clean external surfaces of the Lift with a clean, dry cloth. Store Lift in dry, indoor area out of reach of children.

Maintenance and Servicing

All Procedures are not specifically explained in this manual must be performed only by a qualified technician.

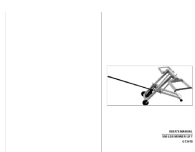
WARNING :

TO PREVENT SERIOUS INJURY FROM TOOL FAILURE: Do not use damaged equipment. If abnormal noise or vibration occurs, have the problem corrected before further use.

Cleaning, Maintenance, and Lubrication

1. BEFORE EACH USE, inspect the general condition of the Lift. Check for:
 - broken, cracked, or bent parts
 - loose or missing parts
 - any other condition that may affect its safe operation.If a problem occurs, have the problem corrected before further use. Do not use damaged equipment.
2. Before each use, thoroughly test the Lift for proper operation prior to its actual use. If the Lift appears not to be working properly, follow Bleeding instructions on page 7.
3. Change the hydraulic fluid at least once every three years:
 - With the Lift fully lowered, remove the Fluid Fill Plug (39a) on the side of the Bottle Jack (30).
 - With assistance, place the Lift on its side to allow the old hydraulic fluid to drain out of the jack's Fluid Reservoir (11a) completely, and dispose of the old hydraulic fluid in accordance with local regulations.
 - With the Lift upright, completely fill the jack's Fluid Reservoir with a high quality hydraulic fluid (sold separately) until the fluid just begins to run out of the fluid fill hole.
 - Reinstall the Fluid Fill Plug.
4. Wipe dry with a clean cloth. Store the Lift in a safe, dry location out of reach of children and other non-authorized people.

Documents / Resources



[COSTWAY GT3479 Hydraulic Lawn Mower Lift Jack for Tractors and Zero Turn Riding Lawn Mowers 500lbs Capacity \[pdf\] User Manual](#)

GT3479, Hydraulic Lawn Mower Lift Jack for Tractors and Zero Turn Riding Lawn Mowers 500lbs Capacity, GT3479 Hydraulic Lawn Mower Lift Jack for Tractors and Zero Turn Riding Lawn Mowers 500lbs Capacity

Related Manuals / Resources

[Pro-Lift T-5310 Lawn Mower Lift Adapter Instruction Manual](#)

Lawn Mower Lift Adapter Operating Instructions & Parts Manual US Patent No. D703,413 This is the safety alert...



[YARD FORCE Robot Lawn Mower User Guide](#)

YARD FORCE Robot Lawn Mower Clear the Lawn Area Positioning the docking station Cutting height adjustment Main switch...



[YARD FORCE NX Series Robotic Lawn Mower User Guide](#)

Quick Start Guide

<https://www.youtube.com/c/YardForceInternational/playlists>

[MEEC TOOLS 009384 Push Lawn Mower Instruction Manual](#)

009384 Push Lawn Mower

Leave a comment

Your email address will not be published.

Comment

Name

Email

Website

Save my name, email, and website in this browser for the next time I comment.

[Manuals+](#),

- [home](#)
- [privacy](#)