



COOLER MASTER NR200P Mini ITX PC Case Instruction Manual

[Home](#) » [COOLER MASTER](#) » COOLER MASTER NR200P Mini ITX PC Case Instruction Manual 

Contents

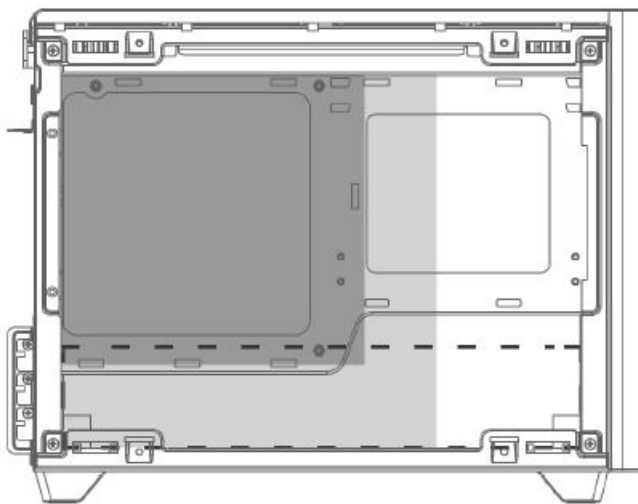
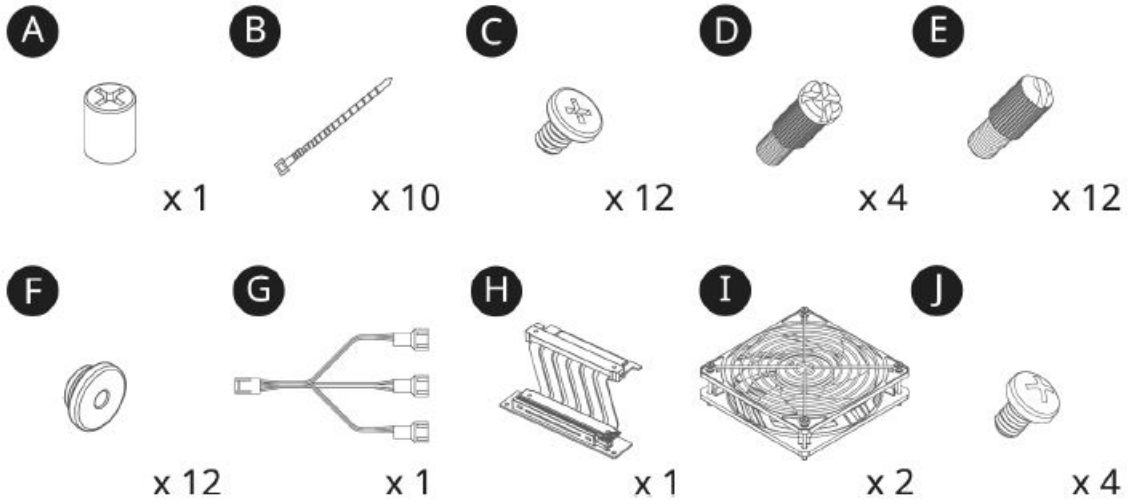
- [1 COOLER MASTER NR200P Mini ITX PC Case](#)
- [2 overview](#)
- [3 instructions](#)
- [4 intend to use](#)
- [5 Dimension](#)
- [6 Warranty information](#)
- [7 Documents / Resources](#)
- [8 Related Posts](#)



COOLER MASTER NR200P Mini ITX PC Case



overview



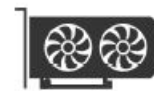
mITX
mDTX
max: 244x226mm



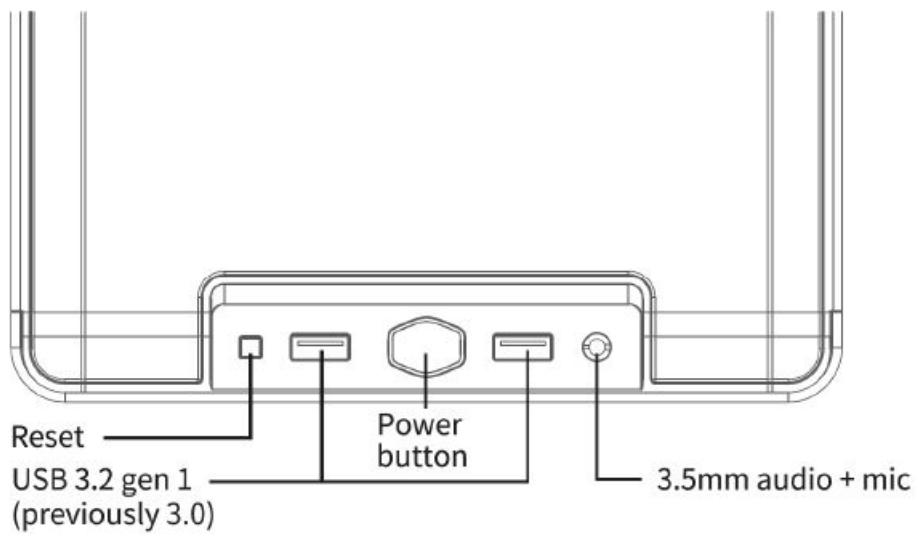
H: 155mm



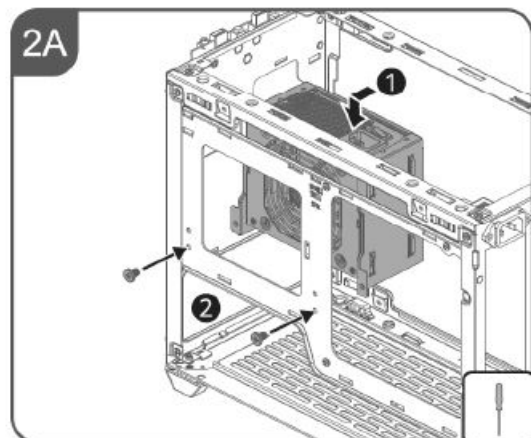
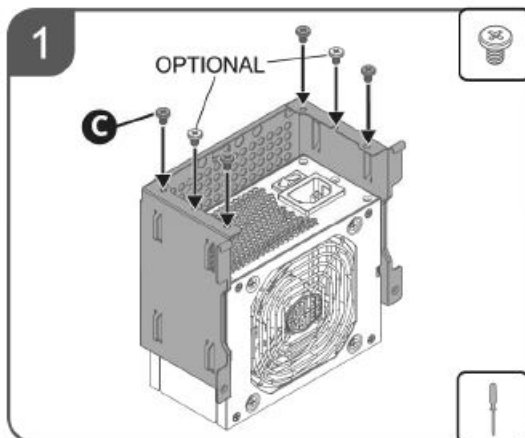
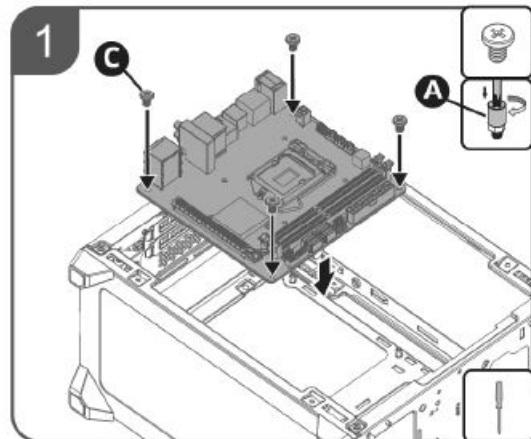
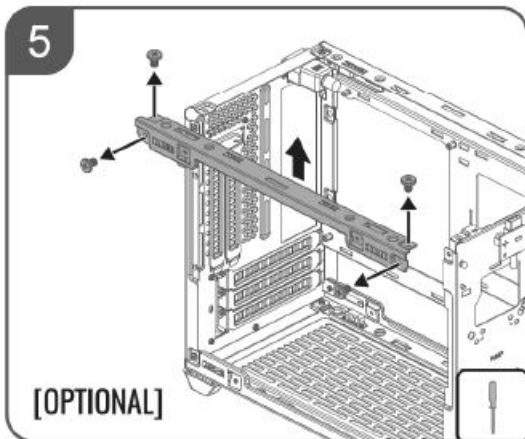
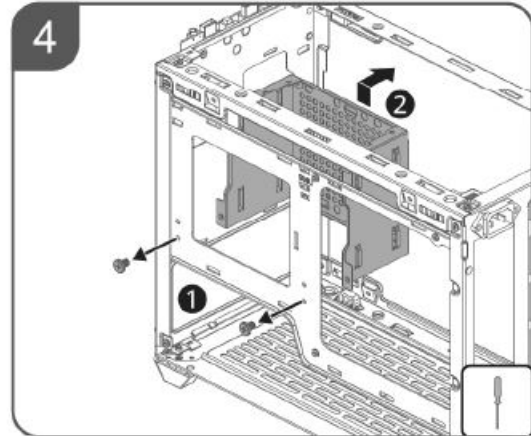
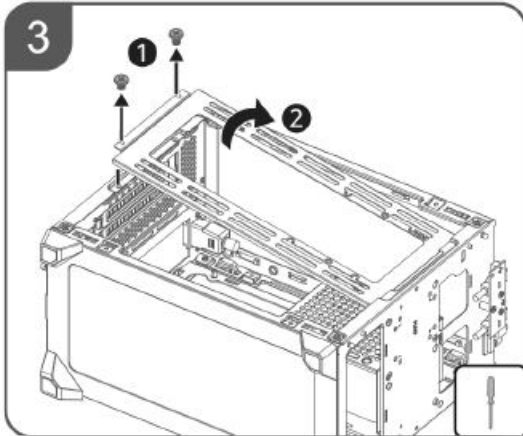
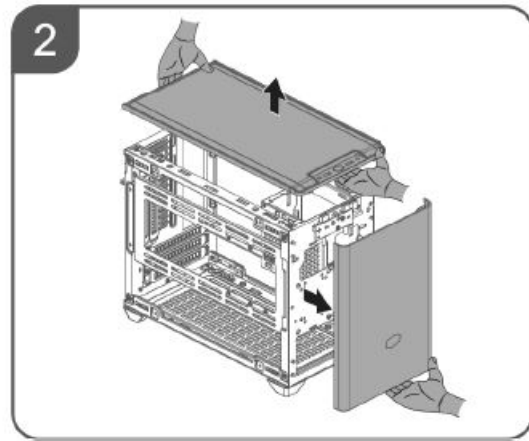
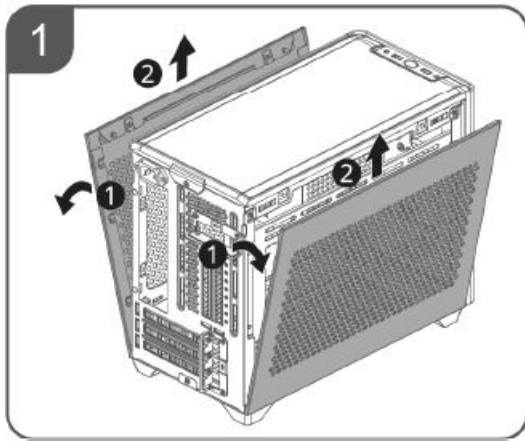
SFX / SFX-L

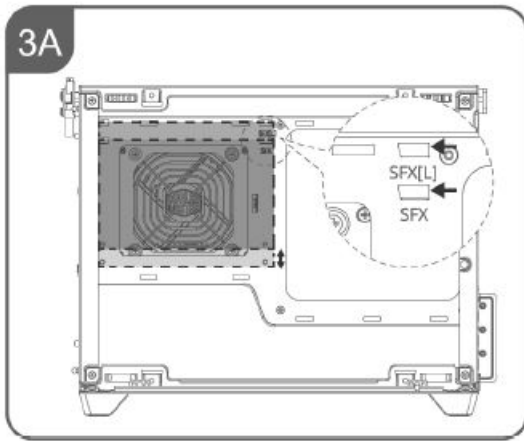


L: 330mm
H: 156mm
W: 60mm

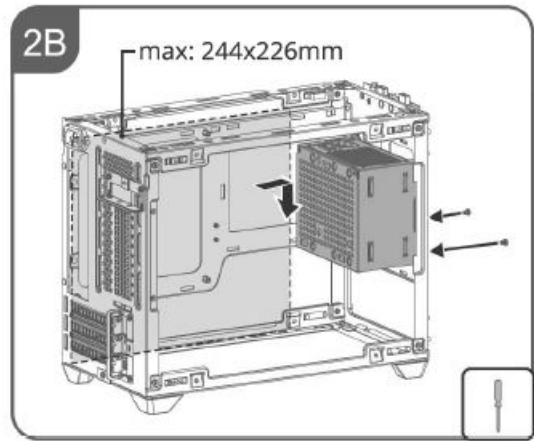


instructions

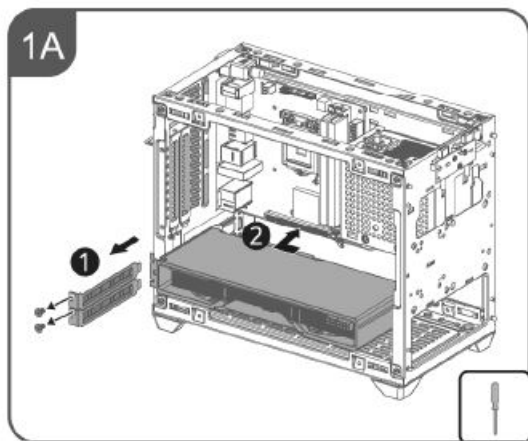
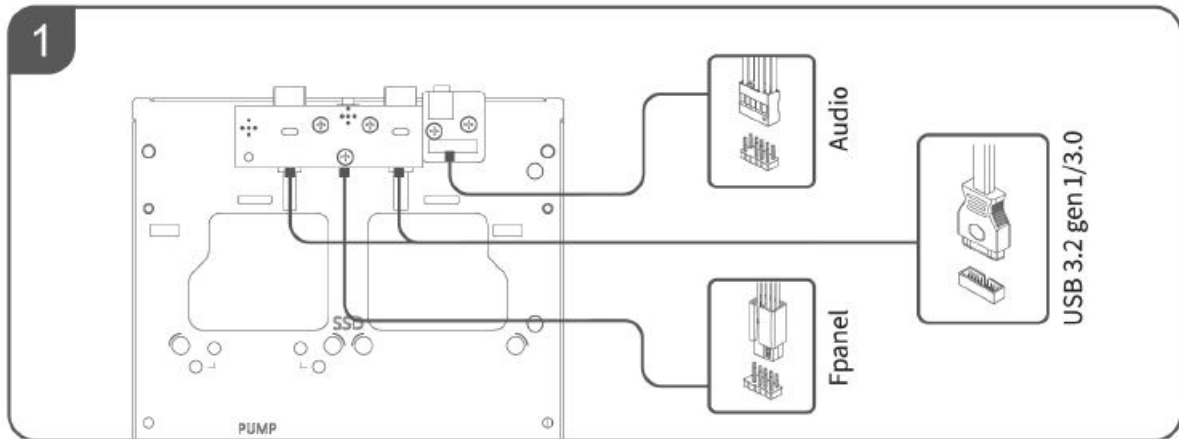




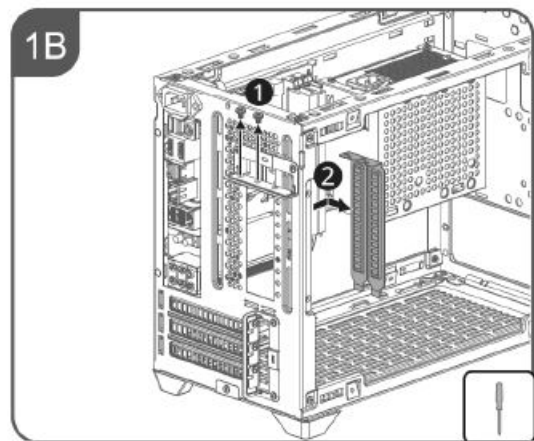
OR

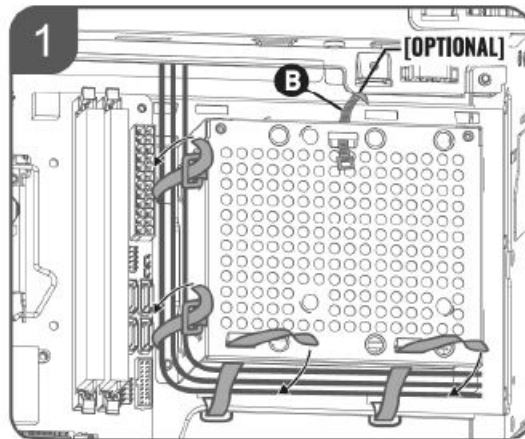
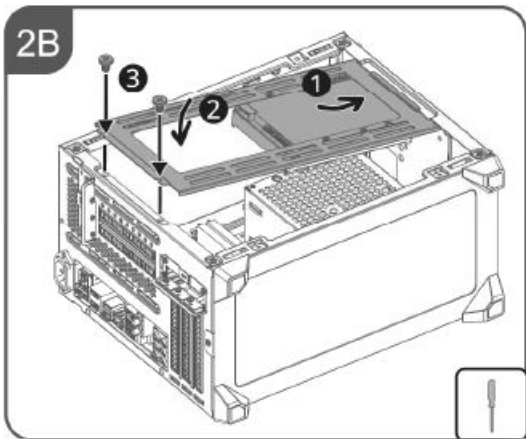
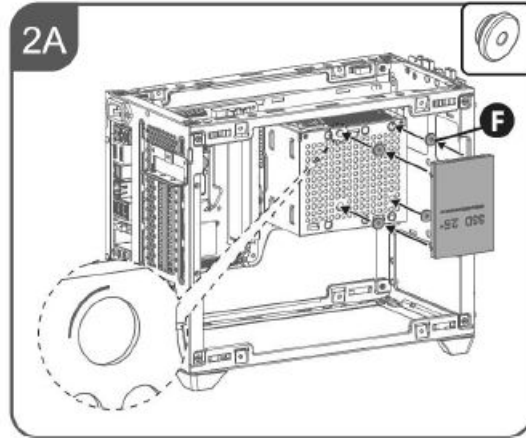
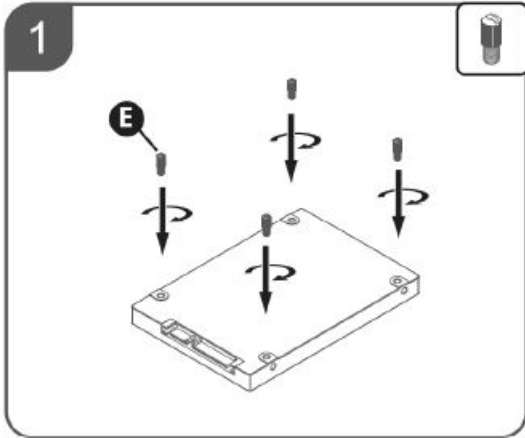
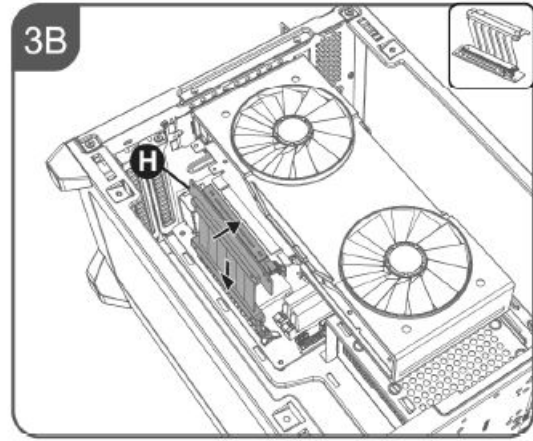
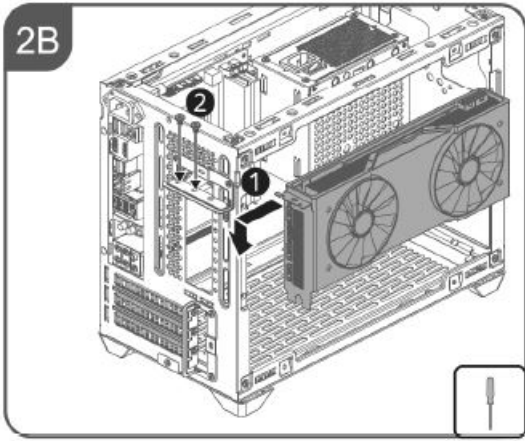


intend to use

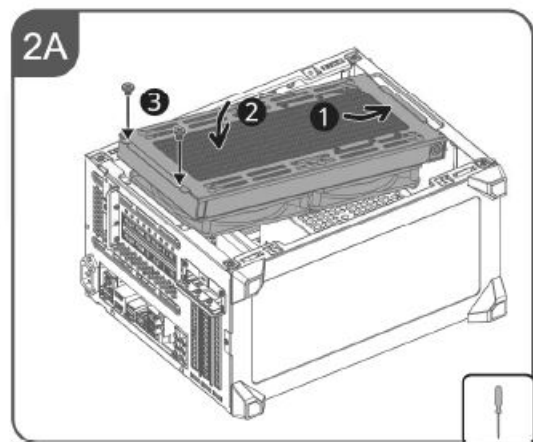
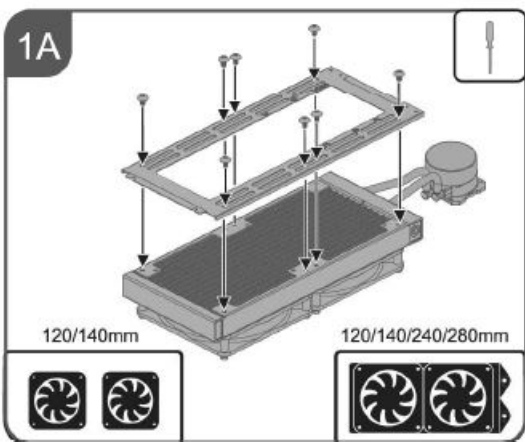
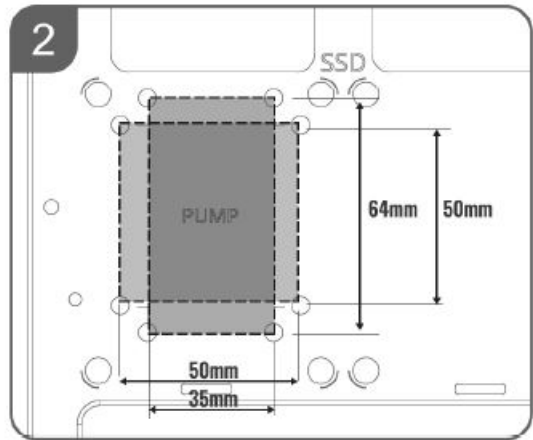
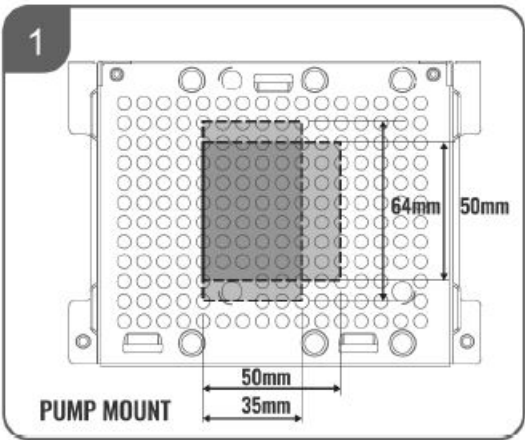
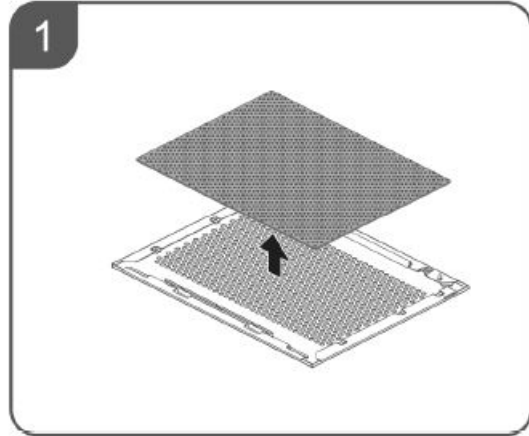
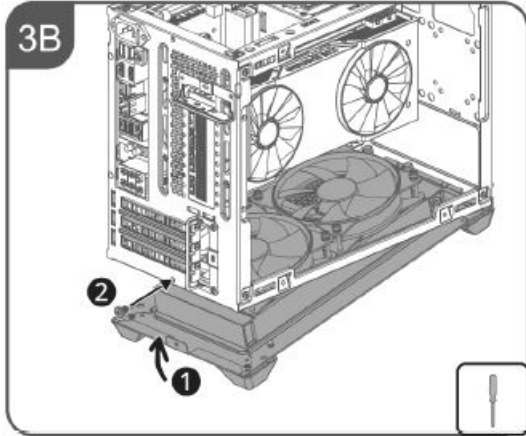
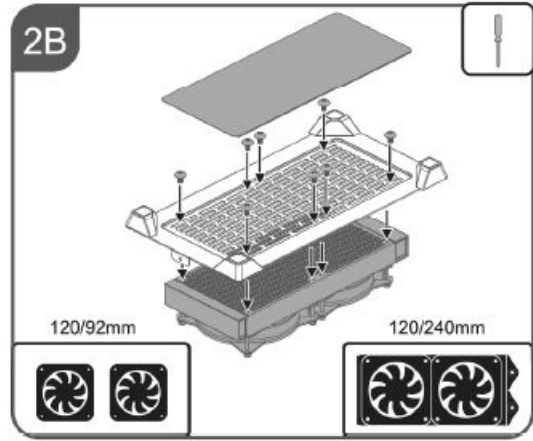
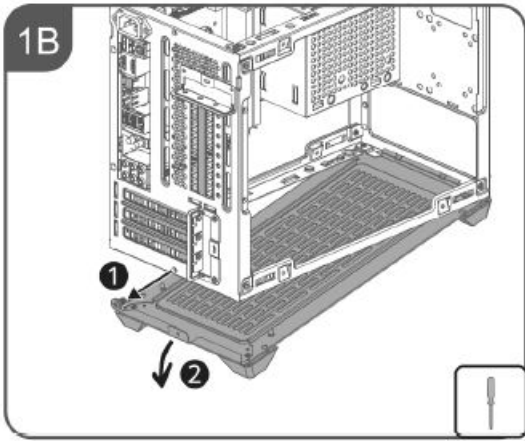


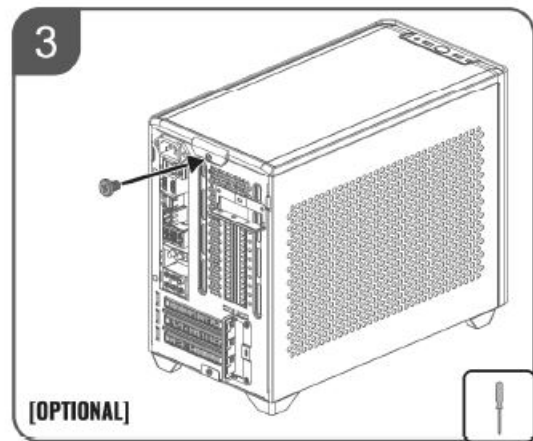
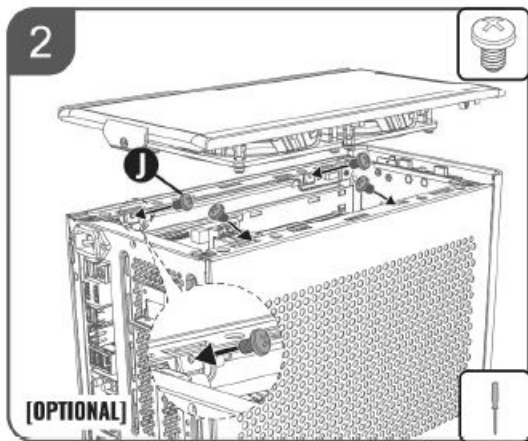
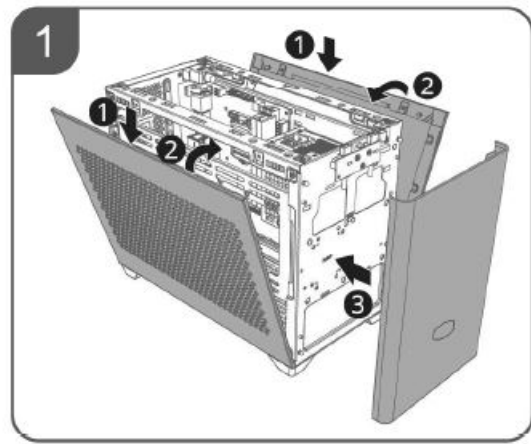
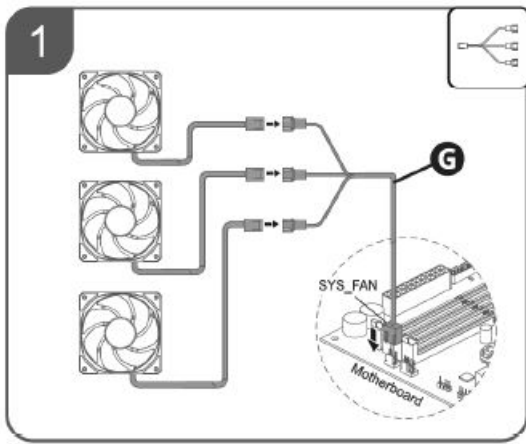
OR





Dimension





Warranty information

This personal computer case is compliant to safety standards. For the declaration of conformity please visit www.coolermaster.com/service/doc Cooler Master guarantees that this device is free or defect in material and workmanship, and provides a two-year limited hardware warranty for the device commencing from the date of purchase. Please keep your receipt for proof of purchase. This product is designed for computer usage only. Using this device in any other capacity voids the warranty. If you are not familiar with computer hardware installation, please ask for professional assistance. The warranty offered covers normal use. Defect or damage that result from improper operation, storage, misuse or abuse, accident or neglect, which are not the fault of Cooler Master, are excluded from warranty coverage.

Note:

the warranty is voided by removal or alternation of product or parts identification labels. All OEM/bulk packaging product come with one year limited warranty In case of conflict between the warranty provided by the country of point of sale and this manual, the warranty of the actual country of point of sale shall be the prevailing document. In case of malfunction of electronic components or need of accessories purchased during the warranty period, please return to the original store of purchase. This document describes the warranty terms for all Cooler Master product sold in Australia or Australia only Our goods Come with guarantees that cannot be excluded under the Australian Consumer Law. you are entitled to a replacement or refund or a replacement if the goods fail to be of acceptable quality and the failure does not amount to a major failure. (Cooler Master Technology Inc., 8F., No. 88-1, 4thongzeng Ra, 4thonghe Dist., New Taipei city 25586, Taiwan (R.O.C. Telephone: +886-2-2225-3517 (standard international call charges apply.)


What is valid only for the Cooler Master Products distributed by an authorized dealer(s) in Australia. Please contact Cooler Master for Who the Warranty Protects: This Warranty is valid to the original purchaser only. warranty information and services: Cooler Master Support: account. www.coolermaster.com What is and is Not Covered it is important to note that our warranty is not an unconditional guarantee for the duration of the Program. Any replaced parts become the accident, misuse, abuse, improper installation, usage not in accordance with product specifications and instructions, natural or personal disaster, or unauthorized alterations, repairs or

modifications. The Program does not cover any events such as those below Any damages are unrelated to manufacturing defects. Any unsuitable environment or use of the product in Cooler Master Opinion. Any product which has been modified without official permission from Cooler Master, or on which the serial number or warranty sticker has been Damage, deterioration or malfunction resulting from:

Accident. abuse, misuse, neglect fire, water lightning., or other acts of nature, commercial or industrial use, unauthorized product modification Thirc 0arty products using Cooler Master Components will not be covered by warranty. See your vendor or the manufacturer Out servicing. Repair or attempted to repair Dy anyone not authorized by Cooler Master, Inc. Unauthorized repairs to a Cooler Master product will void the warranty offered by the Program. Cooler Master reserves the right to refuse to service any product which nas been altered, modified or repaired by non-Cooler Master Service personnel. Cooler Master does not warrant that this product will meet your requirements. It is your responsibility to determine the suitability of this product Tor yOur purpose. day of issuing an invoice, Retail shops will assist in confirmation with distributor Tor the consumer for the following. If the damage was caused by the consumer, then the consumer should cover all expenses in fixing the product, if the product still cant be fixed, we would suggest the consumer in buying a brand new product. dis Fay products with expired warranty dates. we wold suggest consumer to purchase brand new products, without funding.

Product Name	Warranty Term
All Chassis Series (Only Electronic Parts)	2 year
C+P (Chassis + PSU)	1 year

Documents / Resources

	<p>COOLER MASTER NR200P Mini ITX PC Case [pdf] Instruction Manual NR200P Mini ITX PC Case, NR200P, Mini ITX PC Case</p>
--	---