

[Skip to content](#)

**[Manuals+](#)**

User Manuals Simplified.



# COMMAND ACCESS “DL20” Door Loops Instruction Manual

August 6, 2022 August 6, 2022 [Leave a comment on COMMAND ACCESS “DL20” Door Loops Instruction Manual](#)

[Home](#) » [COMMAND ACCESS](#) » COMMAND ACCESS “DL20” Door Loops Instruction Manual 

Contents [hide](#)

[1 COMMAND ACCESS “DL20” Door Loops](#)

[2 Mounting Instructions](#)

[3 Door Loop Base Dimensions](#)

[4 Documents / Resources](#)

[4.1 Related Manuals / Resources](#)



**COMMAND ACCESS “DL20” Door Loops**

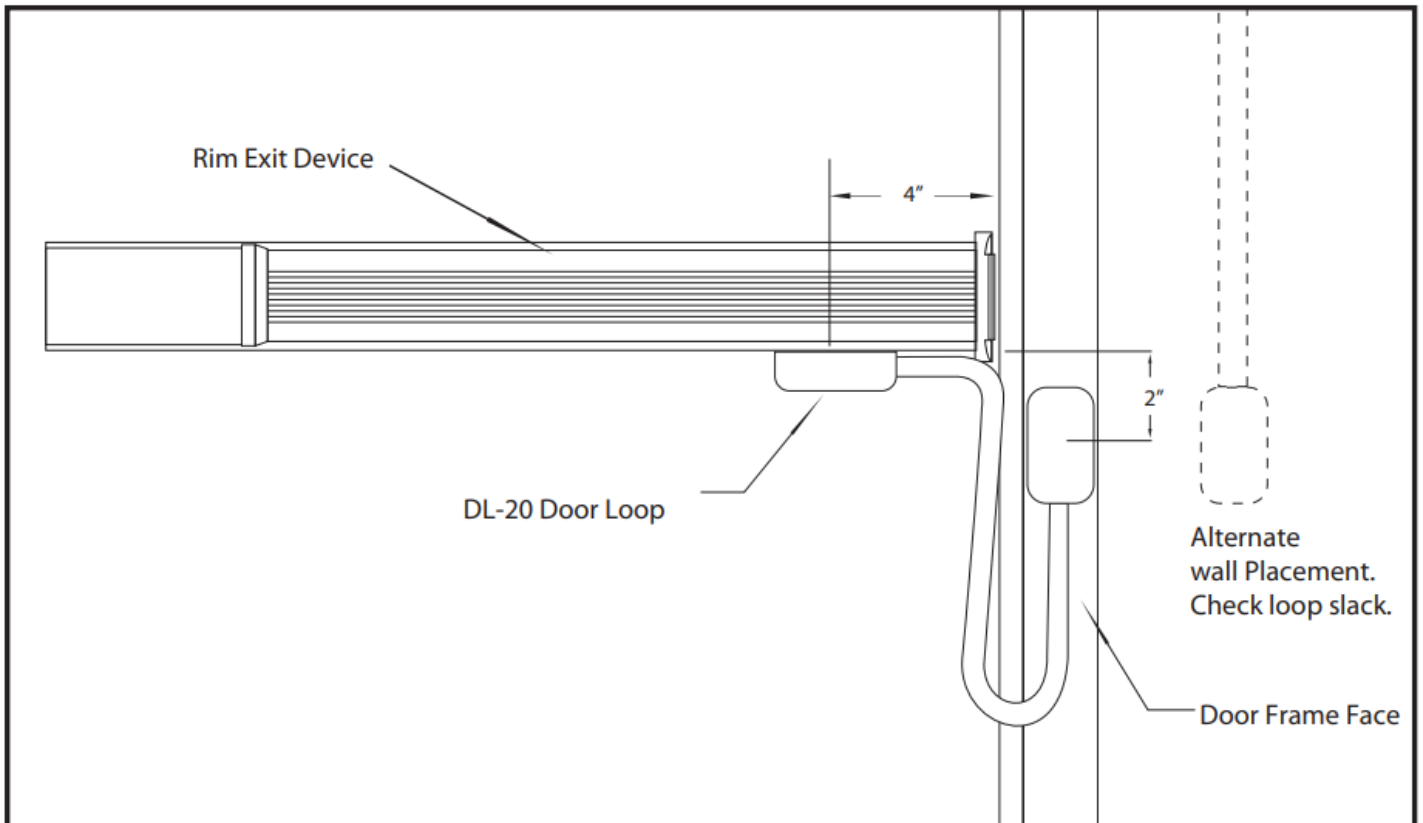


### Mounting Instructions

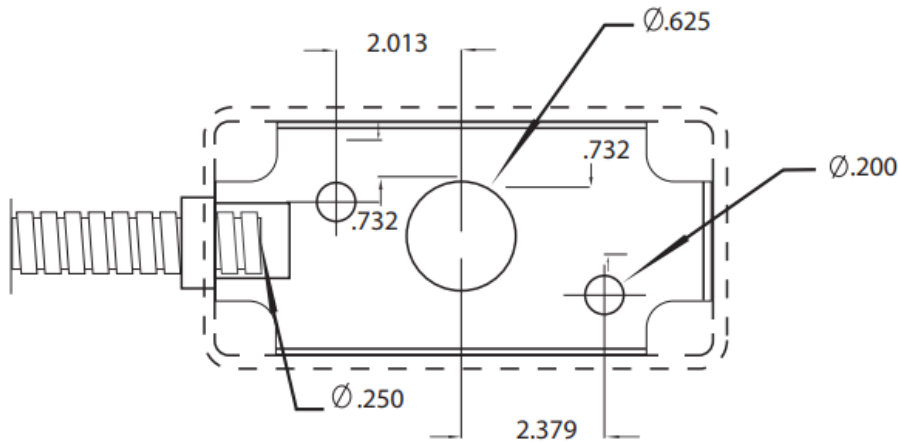
1. Locate the centerline of the door loop on the underside of the Exit Device Housing 4" from the soffit of the frame and 1" from the face of the door
2. Locate the centerline of the door loop for the face of frame 2" down from the edge of the Exit Device
3. Drill pilot holes (#24 drill) to mount the base and a 5/8" hole for wire conduit.
4. Mount base using #10 SMS.
5. Thread electrical wires through the door loop.
6. Install covers with #8 SMS screws

### NOTES:

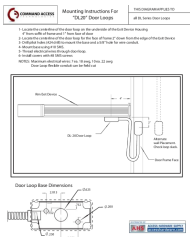
Maximum electrical wires: 7 ea. 18 awg, 10 ea. 22 awg Door Loop flexible conduit can be field cut



### Door Loop Base Dimensions



## Documents / Resources



[COMMAND ACCESS "DL20" Door Loops](#) [pdf] Instruction Manual  
DL20, Door Loops, Door, Loops

## Related Manuals / Resources



### [COMMAND Bath Medium Hooks Instruction Manual](#)

COMMAND Bath Medium Hooks INSTRUCTIONS FOR USE EASY ON EASY OFF DAMAGE-FREE HANGING SURFACES HOW MUCH DOES YOUR...



### [Shure MXA710 Command Strings User Manual](#)

Shure MXA710 Command Strings User Manual - Optimized PDF Shure MXA710 Command Strings User Manual - Original PDF



### [Intermec Airline Front Access Door PM23c Instructions](#)

Intermec Airline Front Access Door PM23c Tools Required Assembly Worldwide Headquarters 6001 36th Avenue West Everett, Washington 98203...



### [LG French Door Refrigerator User Manual](#)

LG French Door Refrigerator User Manual - Optimized PDF LG French Door Refrigerator User Manual - Original PDF

**Leave a comment**

Your email address will not be published. Required fields are marked \*

Comment \*

Name

Email

Website

Save my name, email, and website in this browser for the next time I comment.

[Manuals+](#),

- [home](#)
- [privacy](#)