



ClimaRad Sensa Vertical Instructions

[Home](#) » [climaRAD](#) » ClimaRad Sensa Vertical Instructions 



Maintenance Instructions ClimaRad Sensa Vertical

Contents

- [1 Maintenance frequency for filters](#)
- [2 Cleaning/replacing filters](#)
- [3 Cleaning the air ducts](#)
- [4 Documents / Resources](#)
 - [4.1 References](#)
- [5 Related Posts](#)

Maintenance frequency for filters

When should you replace the filters?

- With normal use, every 2 years or earlier if the message 'Filter vervuild' appears on the display (for example in homes and offices).
- In the case of intensive use, after 1 year or earlier if the message 'Filter vervuild' appears on the display (e.g. for care homes and schools).

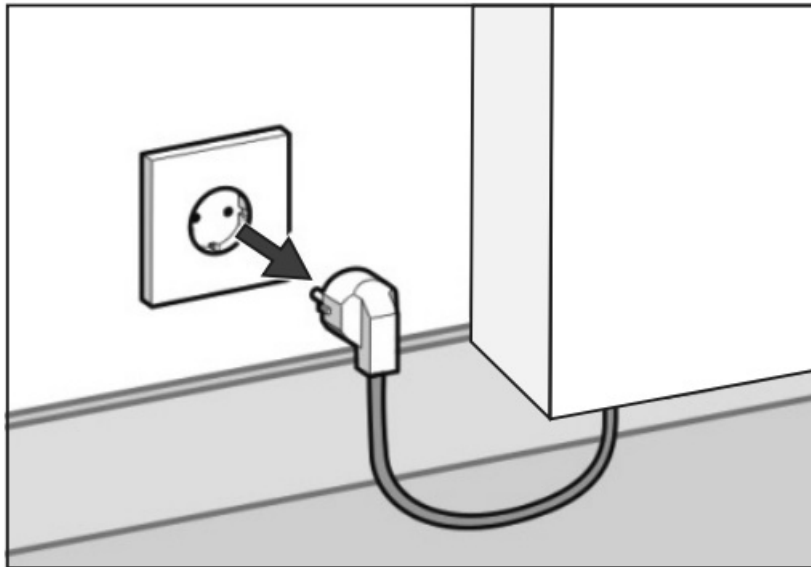
Ordering filters

Order new filters at

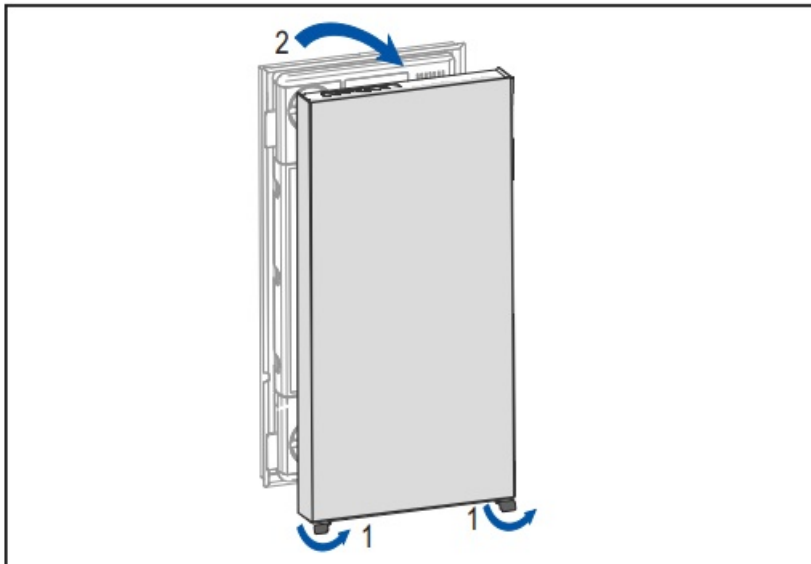
www.climarad.nl/filters

Cleaning/replacing filters

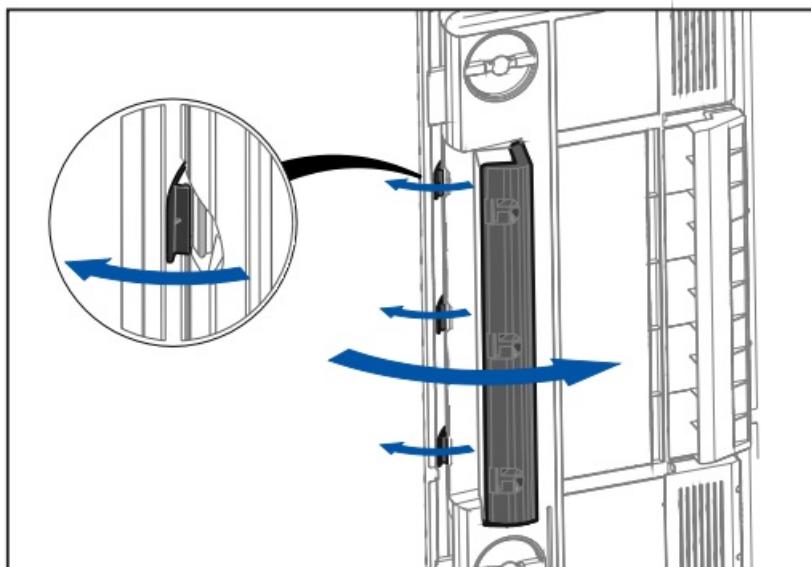
1. Switch off the device first by removing the plug from the socket.



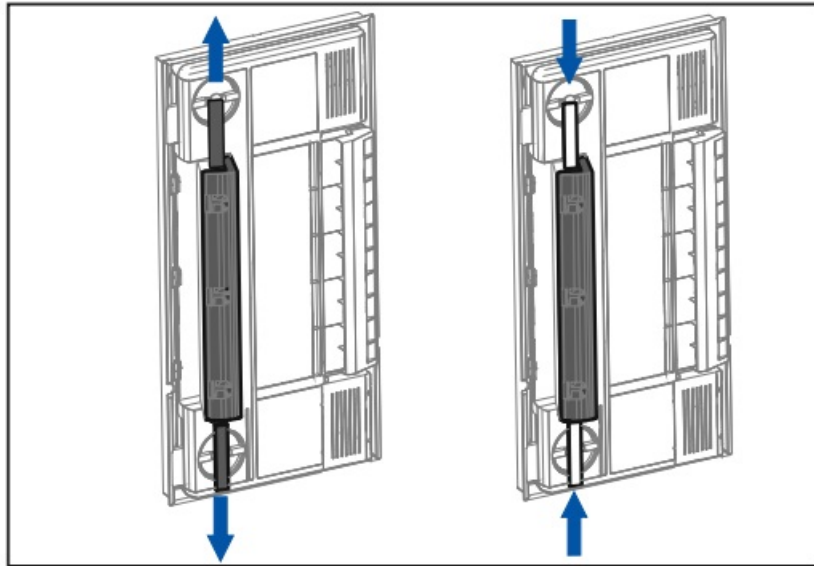
2. Turn the two locking hooks (at the bottom or on the side of the housing). Remove the cover of the Sensa by lifting it upwards.



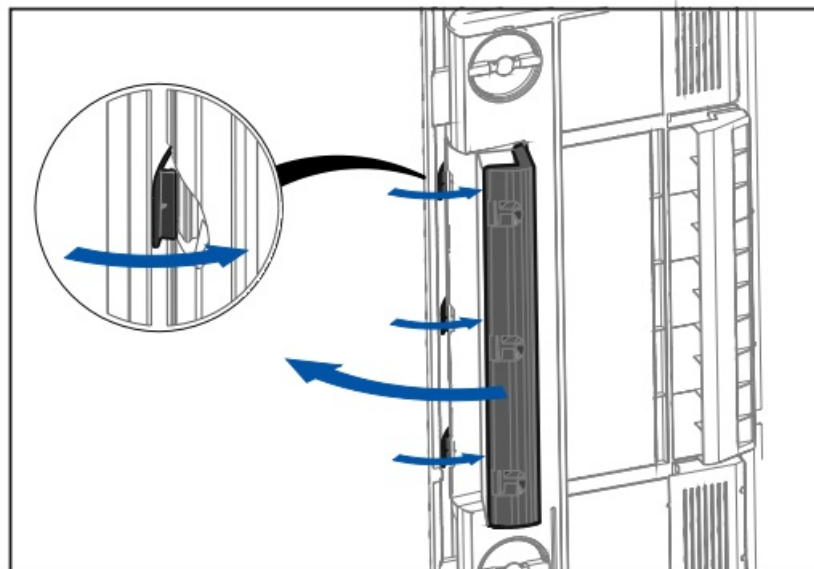
3. Air supply filters. Open the three clips at the left side and tilt the filter housing forwards.



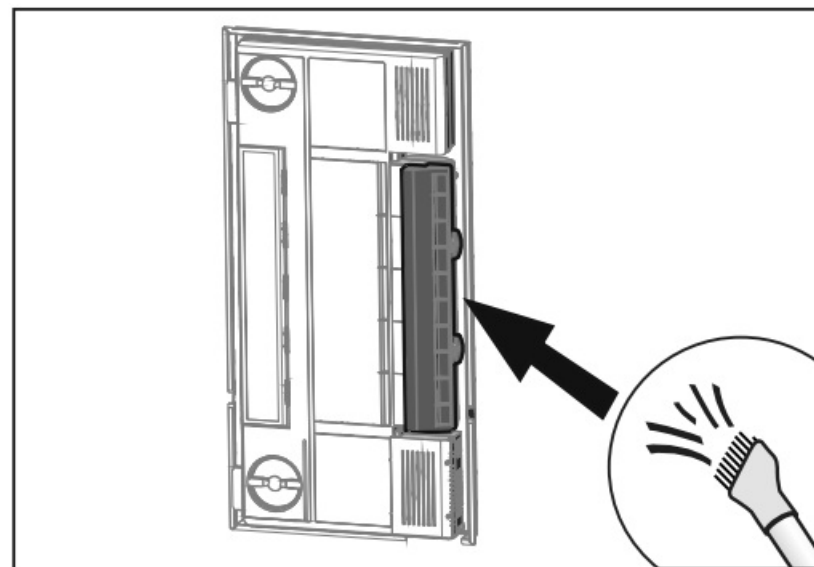
4. Replace the two dirty air supply filters through the top and the bottom of the filter housing.



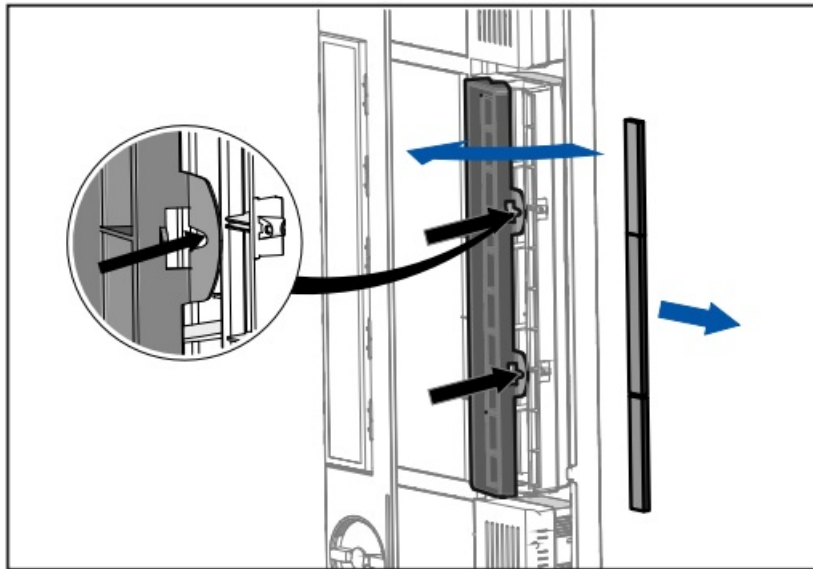
5. Close the filter housing and secure with the three clips. Caution: The filters must not protrude out of the filter housing.



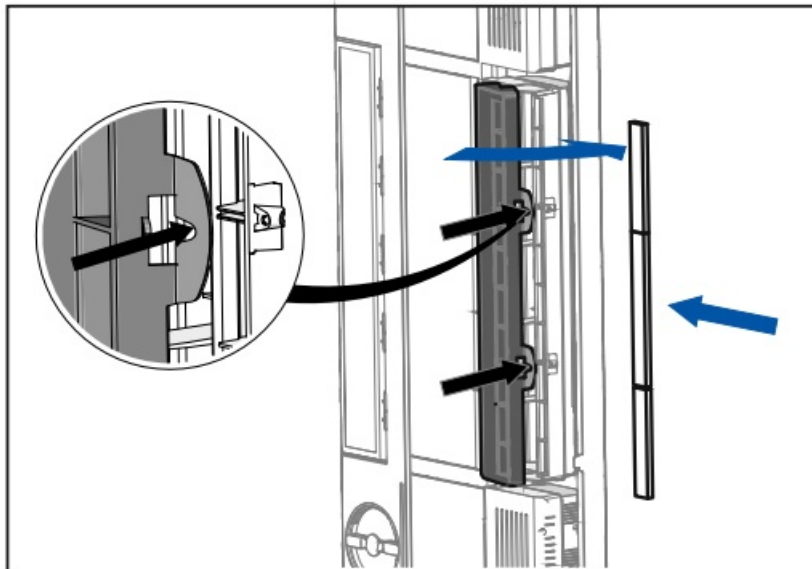
6. Cleaning the air outlet. When the filters do not yet have to be replaced, you can use a vacuum cleaner to clean the filters. You do not need to open the filter housing.



7. Replacing the air outlet filters. Unlock the filter housing by gently pulling the two clips towards you. Turn the filter grille as far forward as possible. Push the filters from the front out of the filter housing.

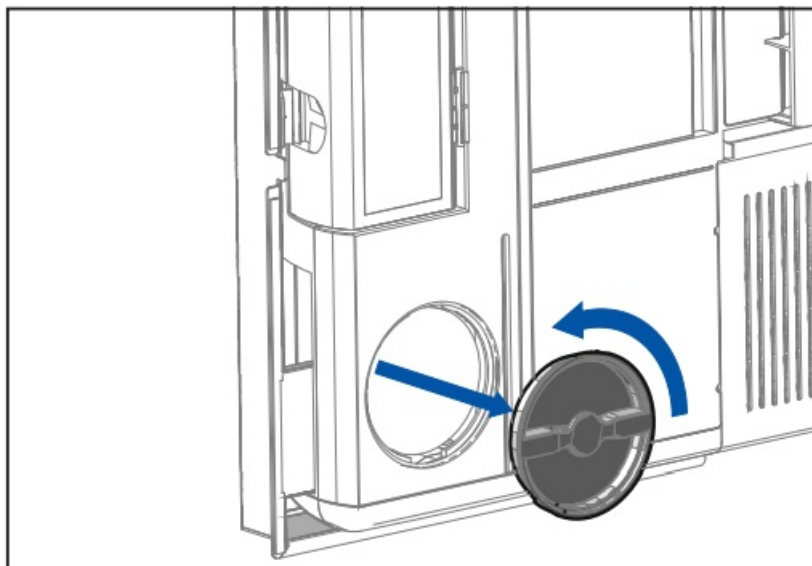


8. Push the three new filters in the sections and press the grille at the bottom with the two clips firmly closed until you feel it snap. Please note that the filter housing must be properly closed for proper operation.

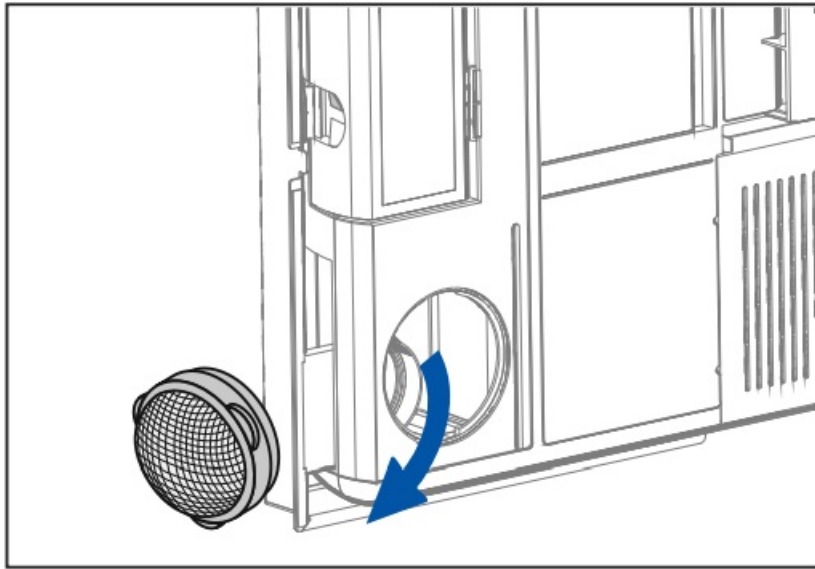


Cleaning the air ducts

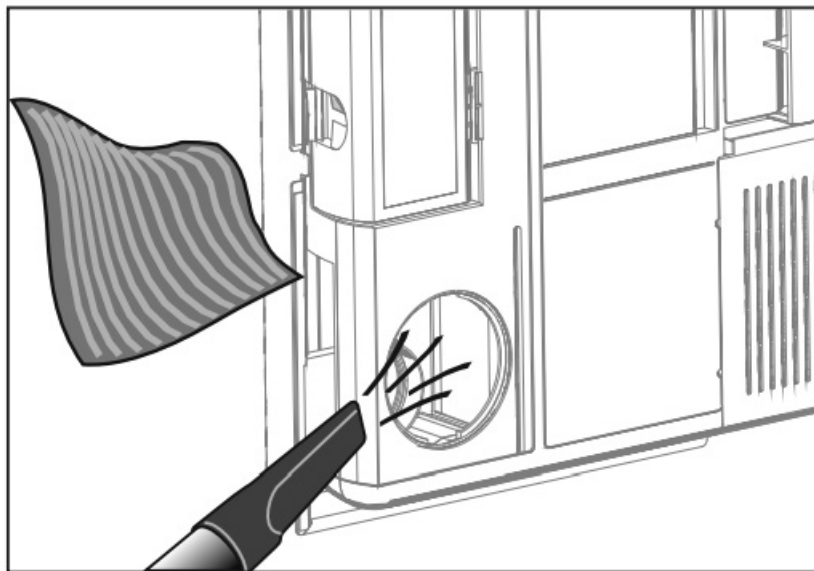
9. Cleaning the air ducts. Remove the two inspection hatches by turning them to the left and removing them.



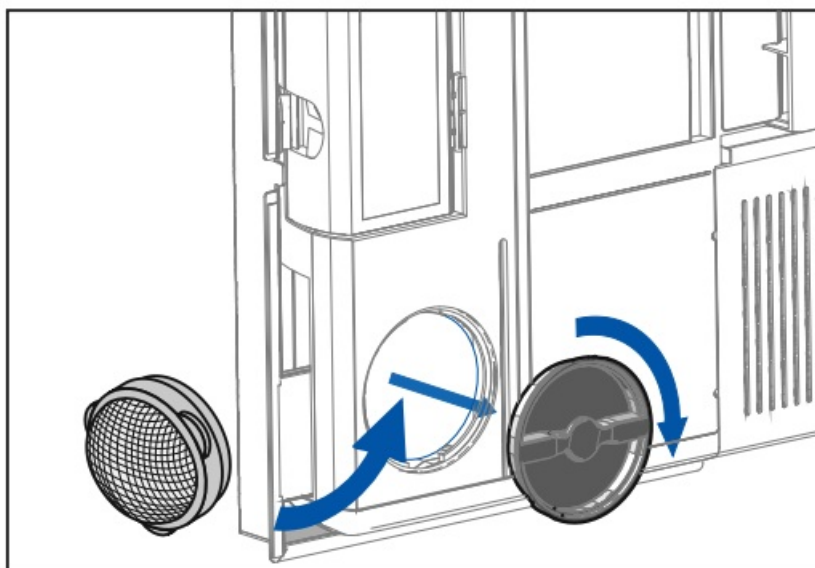
10. Remove the round cups from the air duct and remove the dust and dirt from the insect mesh.



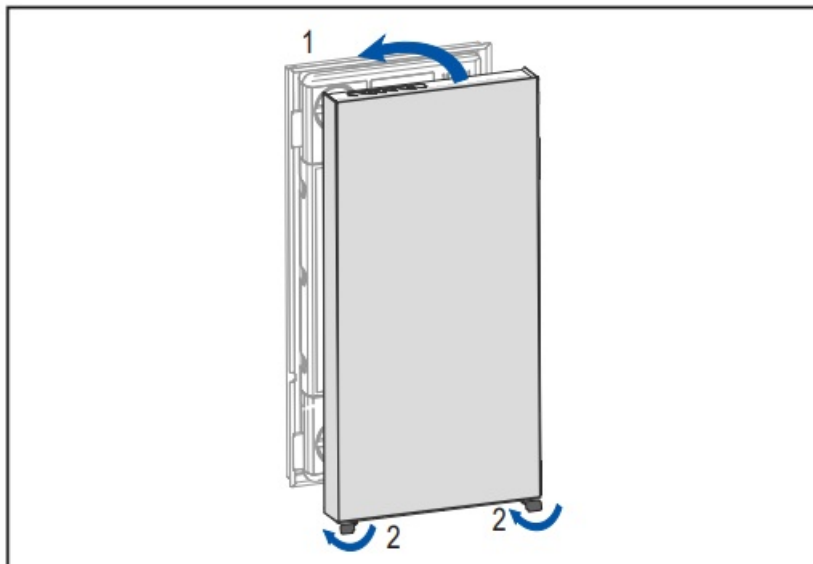
11. Remove any dirt from both channels with a vacuum cleaner or a soft cloth (do not use water).



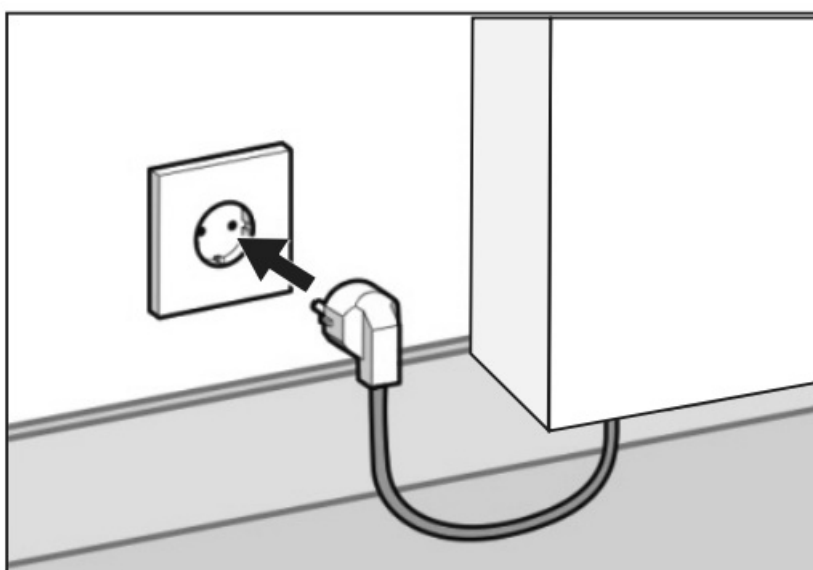
12. Insert the round cups.. Install both inspection hatches and tighten them well for a correct operation.



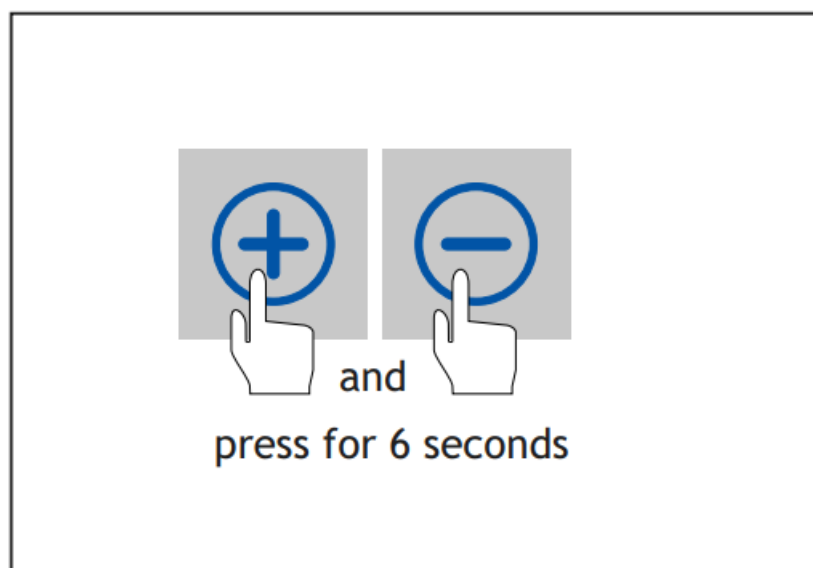
13. Put the cover back on and turn the locking hooks (at the bottom or on the side of the housing).



14. Push the plug back into the socket

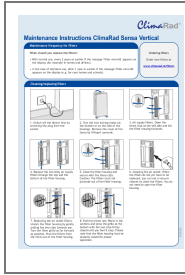


Important: Reset the filter hour counter only if you have replaced the filters.



15. Reset the filter hour counter by simultaneously pressing on the + and – on the display for 6 seconds. The message 'Filter vervuild' will disappear.

Documents / Resources



[ClimaRad Sensa Vertical](#) [pdf] Instructions
Sensa Vertical, Sensa, Vertical

References

- [Webshop | ClimaRad](#)

[Manuals+](#)