

# CHAUVET DJ EZLink Par Q6BT Party Light User Guide



[Home](#) » [Chauvet DJ](#) » CHAUVET DJ EZLink Par Q6BT Party Light User Guide



## Contents [ [hide](#) ]

- [1 CHAUVET DJ EZLink Par Q6BT Party Light](#)
- [2 Disclaimer](#)
- [3 LIMITED WARRANTY](#)
- [4 Safety Notes](#)
- [5 What is Included](#)
- [6 Battery Life Indicator](#)
- [7 Battery Run Time](#)
- [8 Mounting](#)
- [9 DMX Values](#)
- [10 Documents / Resources](#)
- [11 Related Posts](#)

## CHAUVET DJ EZLink Par Q6BT Party Light



The EZLink Par Q6BT Quick Reference Guide (QRG) has basic product information such as mounting, menu options, and DMX values. Download the User Manual from [www.chauvetdj.com](http://www.chauvetdj.com) for more details.

### Disclaimer

The information and specifications contained in this QRG are subject to change without notice.

### LIMITED WARRANTY

**FOR WARRANTY REGISTRATION AND COMPLETE TERMS AND CONDITIONS PLEASE VISIT OUR WEBSITE.**

- For Customers in the United States and Mexico: [www.chauvetlighting.com/warranty-registration](http://www.chauvetlighting.com/warranty-registration).
- For Customers in the United Kingdom, Republic of Ireland, Belgium, the Netherlands, Luxembourg, France, and Germany: [www.chauvetlighting.eu/warranty-registration](http://www.chauvetlighting.eu/warranty-registration).

Chauvet warrants that this product shall be free from defects in material and workmanship under normal use, for the period specified in, and subject to the exclusions and limitations set forth in the full limited warranty on our website. This warranty extends only to the original purchaser of the product and is not transferable. To exercise rights under this warranty, you must provide proof of purchase in the form of an original sales receipt from an authorized dealer that shows the product name and date of purchase. THERE ARE NO OTHER EXPRESS OR IMPLIED WARRANTIES. This warranty gives you specific legal rights. You may also have other rights that vary from state to state and country to country. This warranty is valid only in the United States, United Kingdom, Republic of Ireland, Belgium, the Netherlands, Luxembourg, France, Germany and Mexico. For warranty terms in other countries, please consult your local distributor.

## Safety Notes

These Safety Notes include important information about installation, use, and maintenance.

- ONLY connect this product to a grounded and protected circuit.
- DISCONNECT from power before cleaning or replacing the fuse.
- DO NOT look at the light source when the product is on.
- Make sure the power cord is not crimped or damaged.
- Never disconnect this product from power by pulling on the cord.
- When mounting this product overhead, ALWAYS use a safety cable.
- DO NOT allow flammable materials close to the product when it is operating.
- DO NOT touch the product's housing when it is on because it will be hot.
- The voltage of the outlet to which you are connecting this product must be within the range stated on the decal or rear panel of the product.
- This product is for indoor use only! (IP20) To prevent the risk of fire or shock, do not expose this product to rain or moisture.
- Always mount this product in a location with adequate ventilation, at least 20 in (50 cm) from adjacent surfaces.
- Be sure that no ventilation slots on the unit's housing are blocked.
- Never connect this product to a dimmer or rheostat.
- Replace the fuse with the same type and rating.
- Never carry the product by the power cord. Use only the hanging bracket or handle to carry this product.
- The maximum ambient temperature is 104 °F (40 °C). Do not operate this product at higher temperatures.
- In the event of a serious operating problem, stop using immediately.
- DO NOT open this product. It contains no user-serviceable parts.
- To eliminate unnecessary wear and improve its lifespan, during periods of non-use completely disconnect the product from power via a breaker or by unplugging it.

## Contact

Outside the U.S., United Kingdom, Ireland, Benelux, France, Germany, or Mexico, contact your distributor to request support or return a product. Refer to Contact Us at the end of this QRG for contact information.

## What is Included

- EZLinkParQ6BT
- Power cord
- Hanging bracket
- Quick Reference Guide

## To Begin

Unpack your EZLink Par Q6BT and make sure you have received all parts in good condition. If the box or contents appear damaged, notify the carrier immediately, not Chauvet.

## AC Power

This product has an auto-ranging power supply that works with an input voltage range of 100 to 240 VAC, 50/60

Hz.

### Warning

To eliminate wear and improve its lifespan, during periods of non-use completely disconnect the product from power via a breaker or by unplugging it.

### Power Linking

For the maximum number of EZLink Par Q6BT products that you can power link at each voltage, see the User Manual or the sticker on the product.

### Fuse Replacement

1. Disconnect the product from power.
2. Wedge the tip of a flat-head screwdriver into the slot of the fuse holder.
3. Pry the safety cap out of the housing.
4. Remove the blown fuse from the clip on the front of the safety cap and replace it with a fuse of the exact same type and rating.
5. Re-insert the fuse holder and reconnect the power.

### Battery Power

The EZLink Par Q6BT comes with a rechargeable lithium battery for cable-free operation.

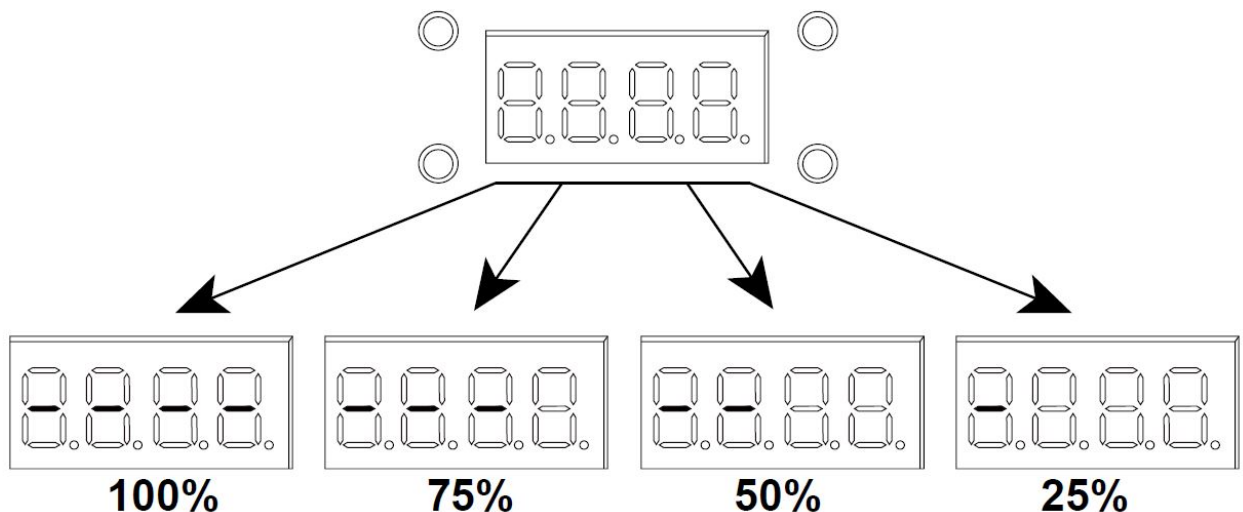
### Charging the Battery

The battery charges whenever the EZLink Par Q6BT is plugged into a power source using the included power cord. If the product is plugged in and not in operation, make sure the product is turned off.

- The LED indicator light will flash if you overcharge your units.
- DO NOT use the EZLink Par Q6BT on full power mode (all LEDs at 100%) while being charged/plugged into a power source, as the unit will get extremely hot.

### Battery Life Indicator

The indicators on the LED Menu Display show how much battery life remains available. The drawing below provides a key to reading the battery life indicators.



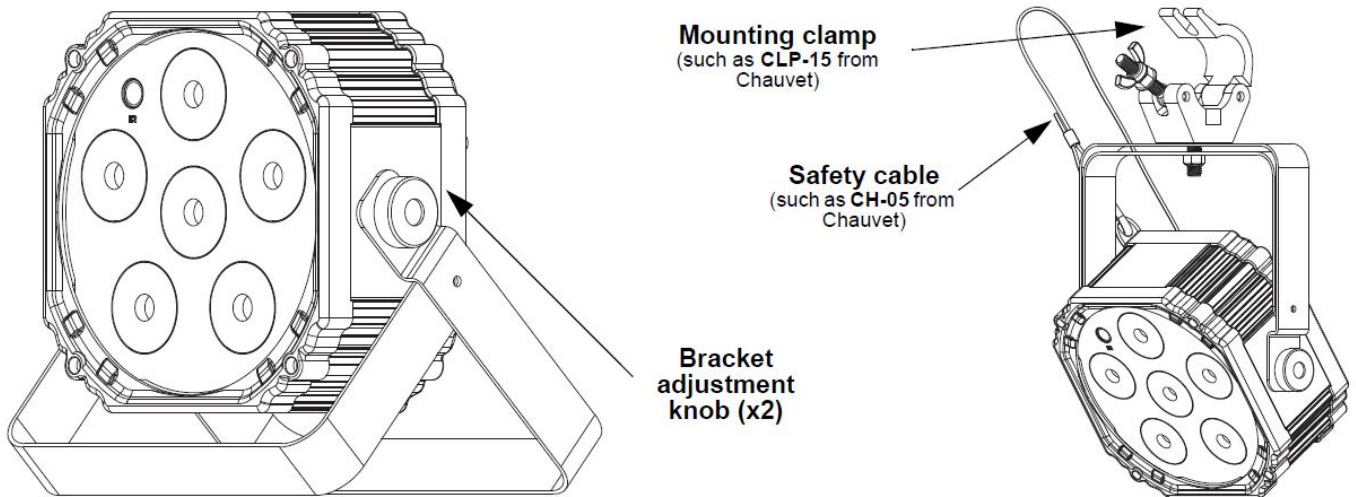
## Battery Run Time

<b>Maximum Run Time (all colors on)</b>	<b>Recharge Time</b>
Up to 8 hours	7.5 hours

## Mounting

Before mounting this product, read the Safety Notes.

### Mounting Diagram



## Control Panel Description

Button	Function
<MENU>	Exits from the current menu or function
<UP>	Navigates upwards through the menu list and increases the numeric value when in a function
<DOWN>	Navigates downwards through the menu list and decreases the numeric value when in a function
<ENTER>	Enables the currently displayed menu or sets the currently selected value into the selected function

## Menu Map

Mode	Programming Levels	Description

<b>DMX Mode</b>	<b>4Ch</b>	<b>d 1–509</b>	4-channel DMX mode			
	<b>8Ch</b>		8-channel DMX mode			
<b>Static Colors</b>	<b>C–</b>	<b>C 1–15</b>	Static colors			
<b>Automatic Programs</b>	<b>P–</b>	<b>P 1–5</b>	Automatic programs			
<b>Auto Speed</b>	<b>S–</b>	<b>S. 1–100</b>	Program speed for P 1–5			
<b>Dimmer</b>	<b>d–</b>	<b>L. 1–255</b>	Dimmer			
<b>Sound-Active Mode</b>	<b>Snd</b>	<b>Snd1–5</b>	Sound-active programs			
<b>Sensitivity</b>	<b>SEnS</b>	<b>u 0–100</b>	Sound sensitivity			
<b>Custom Color Mixing</b>	<b>u–</b>	<b>r. 0–255</b>	Custom static colors combine red, green, blue, and amber			
		<b>G. 0–255</b>				
		<b>b. 0–255</b>				
		<b>A. 0–255</b>				
	<b>S. 0–100</b>	Strobe rate				
<b>Bluetooth Mode*</b>	<b>bLE</b>	<b>-----</b>	Bluetooth control mode, displays Bluetooth ID			
		<b>ir</b>	<table border="1"> <tr> <td><b>on</b></td> </tr> <tr> <td><b>oFF</b></td> </tr> </table>	<b>on</b>	<b>oFF</b>	Turns infrared on or off
<b>on</b>						
<b>oFF</b>						

<b>Control Mode</b>	<b>SEt</b>	<b>out</b>	<b>SLAV</b>	Enable Master/Slave with other BT products
			<b>dMX</b>	Enable Master/Slave with non-BT products

### **DMX Linking**

The EZLink Par Q6BT can work with a DMX controller. Instructions for connecting and configuring this product for DMX operation are in the User Manual. If you are not familiar with DMX, download the DMX Primer from [www.chauvetdj.com](http://www.chauvetdj.com).

### **Starting Address**

To ensure full access to all channels available in each DMX mode, the highest recommended DMX address is 505.

### **Master/Slave Connection**

The EZLink Par Q6BT uses the DMX data connection for its Master/Slave mode. Information about configuring the EZLink Par Q6BT for Master/Slave operation is in the User Manual, which is available from the Chauvet website.

### **IRC-6 (Infrared Remote Control)**

The EZLink Par Q6BT can be operated with the CHAUVET IRC-6. For more information about the IRC-6, download instructions for the IRC-6 or the EZLink Par Q6BT User Manual from [www.chauvetdj.com](http://www.chauvetdj.com).

### **Bluetooth Control**

The EZLink Par Q6BT can be operated with the BTAir application over a Bluetooth connection. For more information on using the BTAir app, download the BTAir User Manual from [www.chauvetdj.com](http://www.chauvetdj.com).

### **DMX Values**

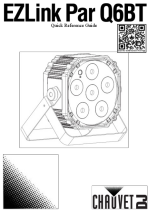
**8Ch**

<b>Channel</b>	<b>Function</b>	<b>Value</b>	<b>Percent/Setting</b>
<b>1</b>	<b>Red</b>	<b>000 – 255</b>	0–100%
<b>2</b>	<b>Green</b>	<b>000 – 255</b>	0–100%
<b>3</b>	<b>Blue</b>	<b>000 – 255</b>	0–100%
<b>4</b>	<b>Amber</b>	<b>000 – 255</b>	0–100%
<b>5</b>	<b>Strobe</b>	<b>000 – 015</b>	No function
		<b>016 – 255</b>	Strobe, slow to fast
<b>6</b>	<b>Auto programs</b>	<b>000 – 005</b>	No function
		<b>006 – 055</b>	Auto program 1 (programs 2–7)
		<b>056 – 106</b>	Auto program 2
		<b>107 – 157</b>	Auto program 3
		<b>158 – 208</b>	Auto program 4
		<b>209 – 255</b>	Auto program 5
<b>7</b>	<b>Auto speed</b>	<b>000 – 250</b>	Program speed, slow to fast
		<b>251 – 255</b>	Sound-active mode
<b>8</b>	<b>Dimmer</b>	<b>000 – 255</b>	0–100%



Channel	Function	Value	Percent/Setting
1	Red	000 – 255	0–100%
2	Green	000 – 255	0–100%
3	Blue	000 – 255	0–100%
4	Amber	000 – 255	0–100%

## Documents / Resources

	<p><a href="#">CHAUVET DJ EZLink Par Q6BT Party Light</a> [pdf] User Guide EZLink Par Q6BT Party Light, EZLink Par Q6BT, Party Light</p>
--	--

## Related Posts



### [CHAUVET DJ DJ Abyss 2 Stunning LED Effect Light User Guide](#)

Quick Reference Guide About This Guide The Abyss 2 Quick Reference Guide (QRG) has basic product information such...



### [CHAUVET DJ WASHFXHEX DJ Wash FX Hex Multipurpose LED Light User Guide](#)

CHAUVET DJ WASHFXHEX DJ Wash FX Hex Multipurpose LED Light User Guide About This Guide The Wash FX...



### [CHAUVET DJ LIG0017415-000 Kinta HP LED Effect Light with Case User Guide](#)

Quick Reference Guide About This Guide The Kinta HP Quick Reference Guide (QRG) has basic product information such...

[light emotion BRUTE 18x10Watt 4in1 RGBW LED Flat Par Light User Manual](#)



WWW.LIGHTEMOTION.COM.AU BRUTE 18 x 10Watt 4in1 RGBW LED  
Flat Par Light User's Instruction Manual This manual contains important...

[Manuals+](#), [home](#) [privacy](#)