



Contents [[hide](#)]

- [1 CARBEST 37845 Uni Frame Window Inner Frame](#)
- [2 DIMENSIONS](#)
- [3 INTRODUCTION](#)
- [4 SCOPE OF DELIVERY](#)
- [5 SAFETY INSTRUCTIONS](#)
- [6 MOUNTING](#)
- [7 CARE INSTRUCTIONS](#)
- [8 WARRANTY CONDITIONS](#)
- [9 FAQ](#)
- [10 Documents / Resources](#)
 - [10.1 References](#)

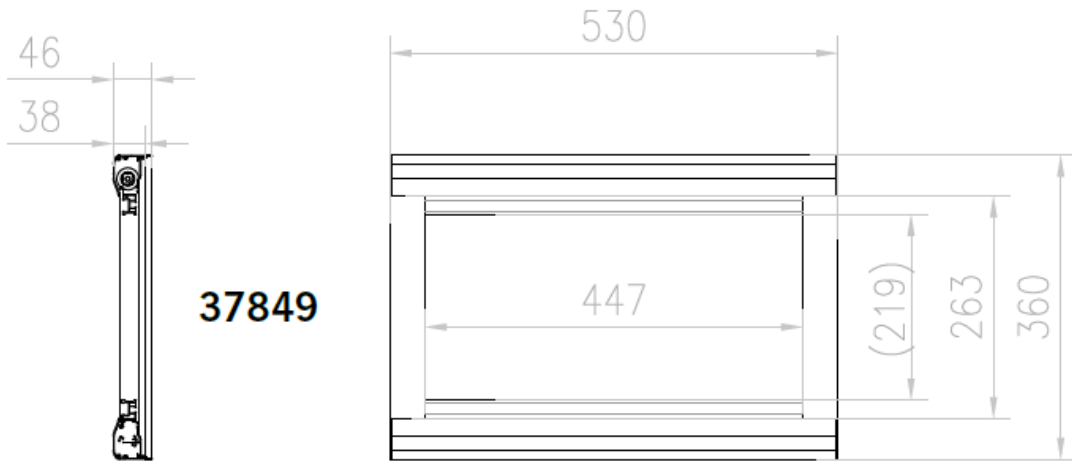


CARBEST 37845 Uni Frame Window Inner Frame

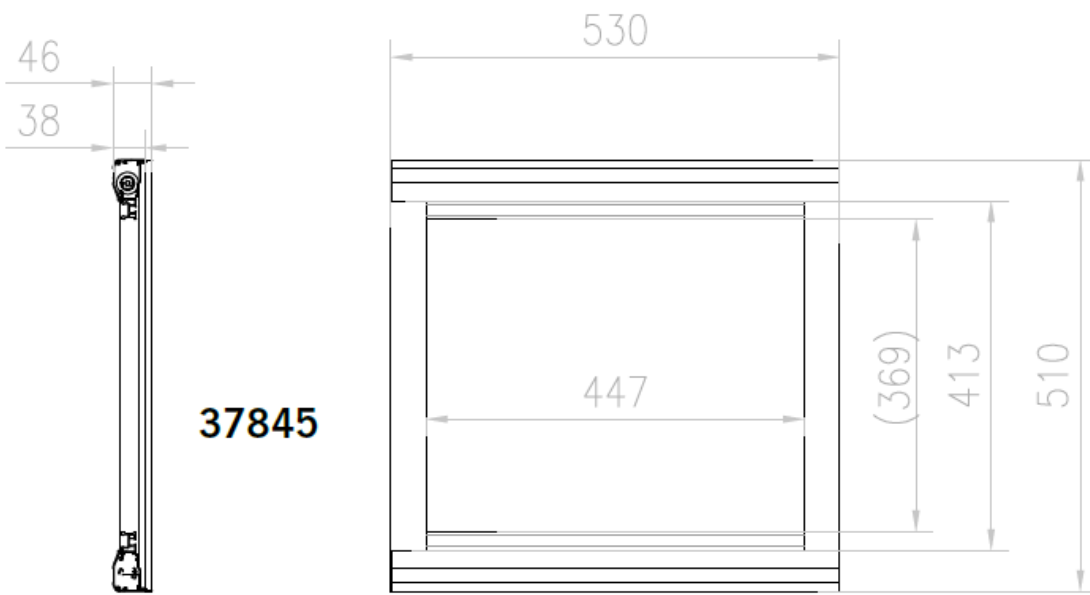


DIMENSIONS

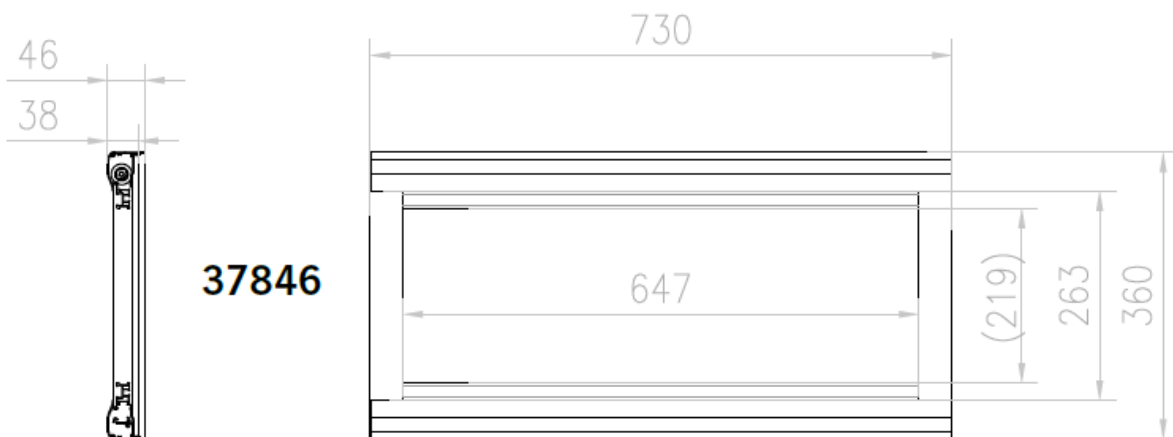
unit: mm



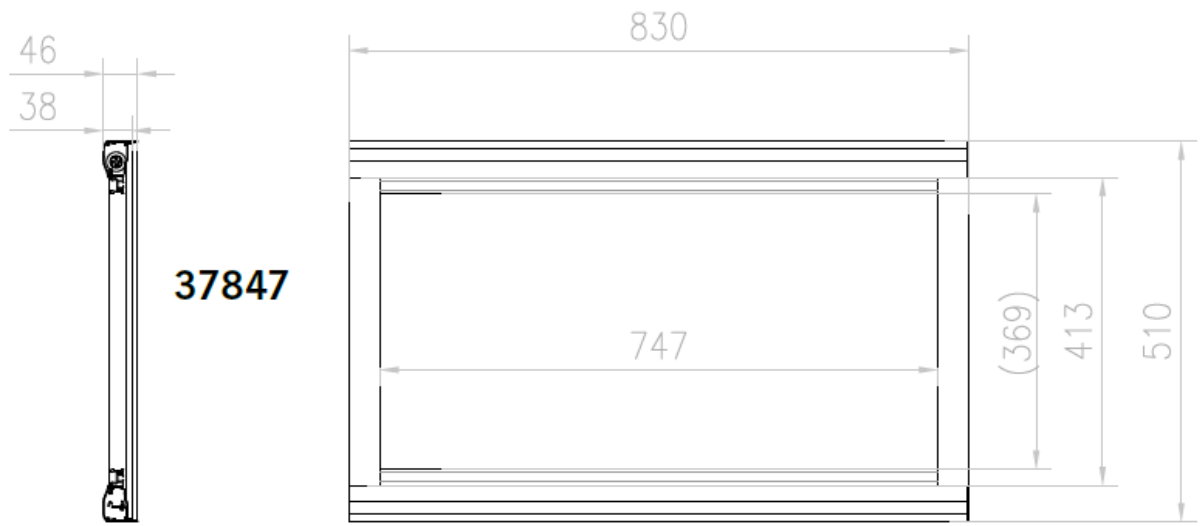
37849



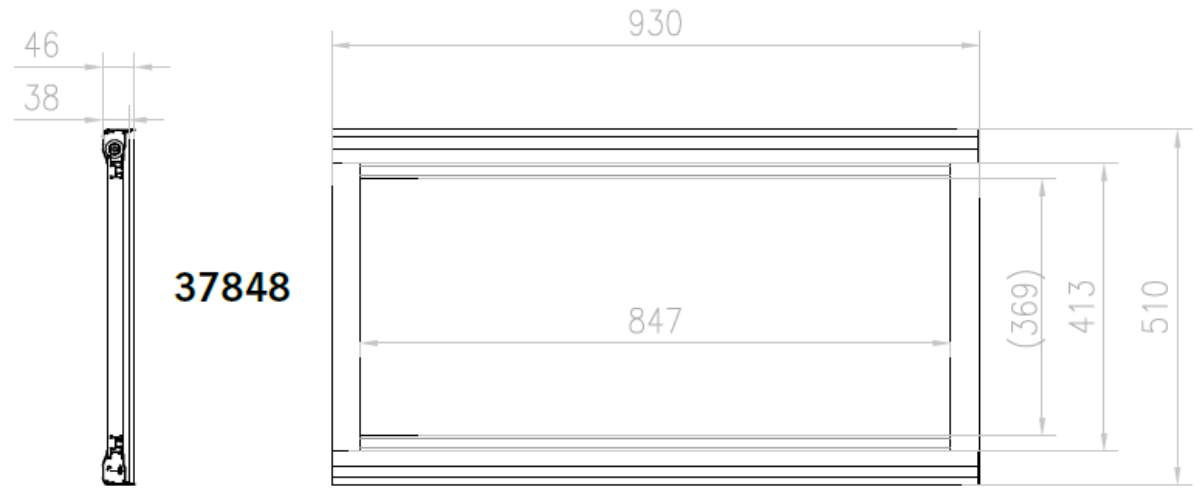
37845



37846



37847



37848

Item number	Window Cut Out Size W x H (mm)	Clearance Size W x H (mm)	Clearance Size W x H (mm)
37849	500×300	530×360	447×219
37845	500×450	530×510	447×369
37846	700×300	730×360	647×219
37847	800×450	830×510	747×369
37848	900×450	930×510	847×369

INTRODUCTION

You have chosen a high quality product of the brand CARBEST. To ensure that you can enjoy this product for a long time, please read the operating instructions carefully before using the product. Pay particular attention to the safety instructions and warnings in order to avoid damage to the product and injuries. These instructions are based on EU standards and regulations. Therefore, observe country-specific guidelines and laws when using the product abroad.

Keep these instructions for future reference and pass them on to third parties if you sell the product.

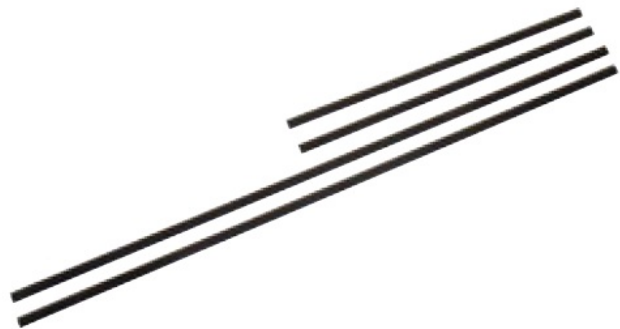
Please contact our customer service if you have any questions, problems or suggestions in connection with this product. Please always quote the item and invoice number, as well as the customer number (if available).

Service contact:

- Reimo Reisemobil Centre GmbH
- Boschring 10, 63329 Egelsbach
- Phone: +49 6150 8662-370
- Email: service@reimo.com

SCOPE OF DELIVERY

- Pre-assembled inner frame with mosquito net blind and pleated blackout blind
- Assembly material (4 x self-tapping countersunk screws 3.9×45 mm)
- Distance profiles: 4x aluminum profiles, 4x plastic parts



SAFETY INSTRUCTIONS

- Please commission a specialist company to install the inner frames if you do not have sufficient installation knowledge.
- To prevent the roller blinds from falling down or being damaged while driving, please open the roller blinds completely or close both sides and ensure that the magnets are locked.

INSTRUCTIONS FOR OPERATION

To prevent the roller blinds from falling down or being damaged while driving, please open the roller blinds completely or close both sides and make sure that the magnets are locked.

MOUNTING

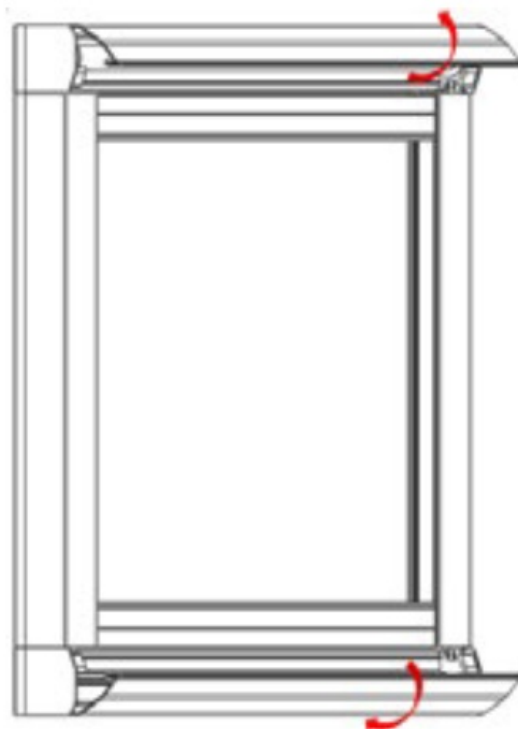
STEP 1: CHECK THE DIMENSIONS AND POSITION

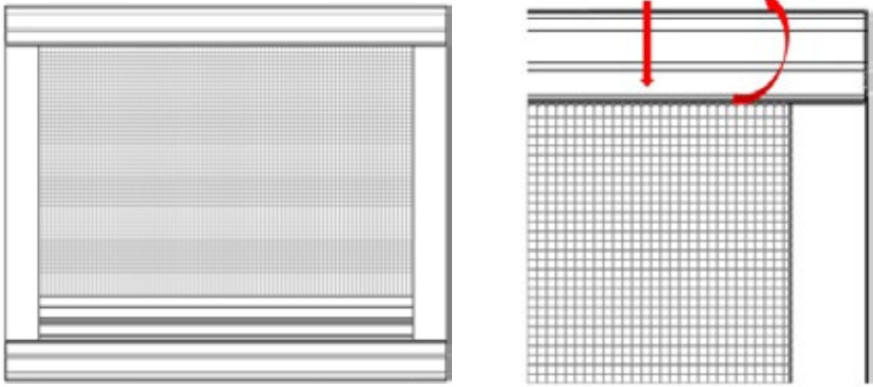

Align the inner frame with the window position in the interior of the vehicle and check that it fits. Please note that a suitable substructure is required before installing the blackout system.

NOTE if the position of the handle is compromised or there are gaps on the sides, go to point 5 first.

STEP 2:

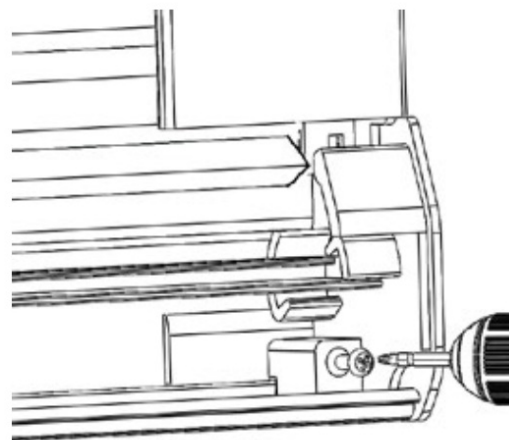
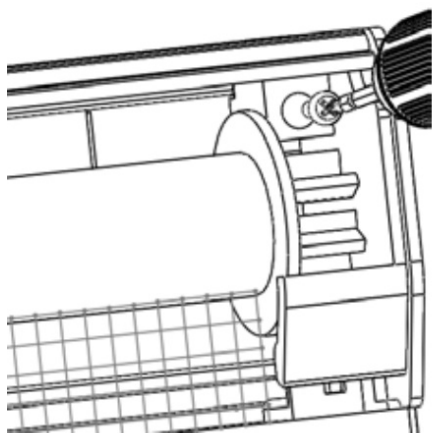
Remove the top and bottom cover of the inner frame
Please follow steps A and B:



<p>Step A.</p> <p>Open the mosquito net blind completely, pull the cover upwards from the bottom and remove it.</p>	
<p>Step B.</p> <p>Open the pleated blackout blind completely, pull the cover down from the top and remove it.</p>	

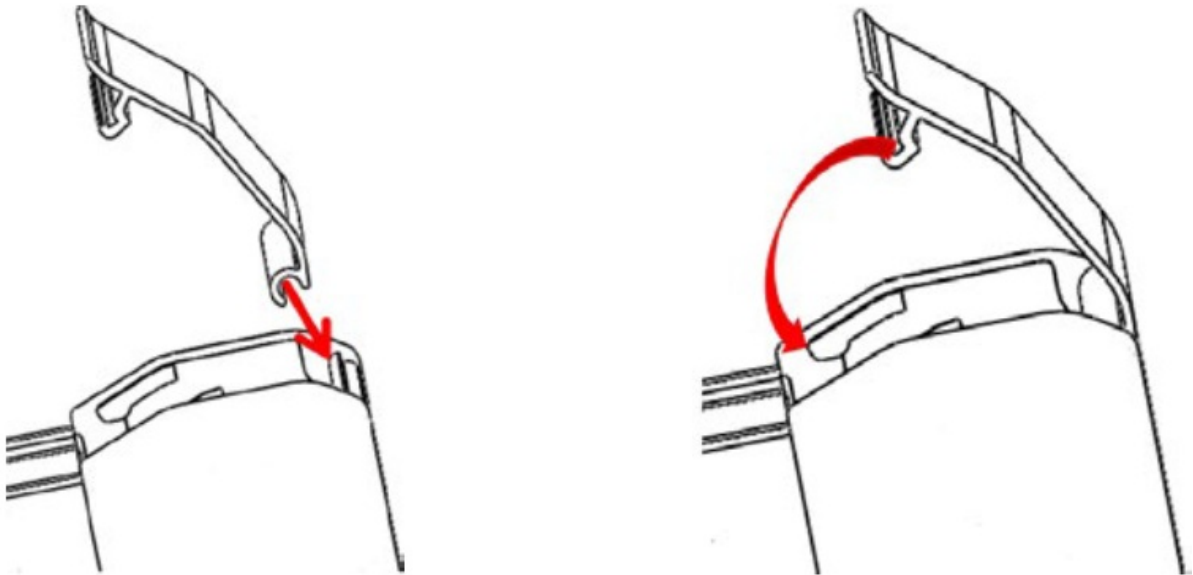
STEP 3: TIGHTEN THE SELF-TAPPING COUNTERSUNK SCREWS

There are mounting holes at each corner. Open the mosquito net blind completely and tighten the screws. Repeat this step on the side of the pleated blackout blind.



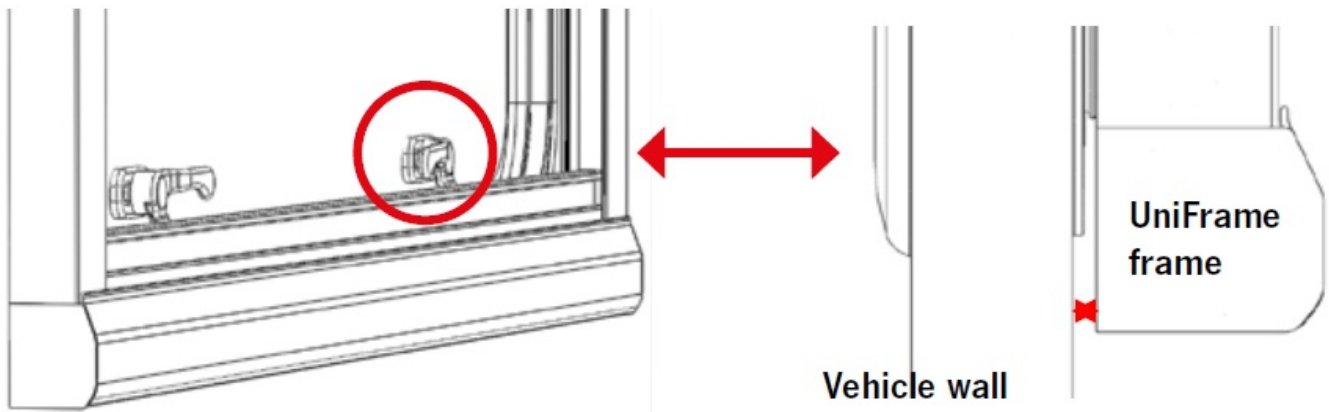
STEP 4: FASTENING THE COVERS

Insert the upper end of the cover plate into the slot position, then press the cover firmly into place.

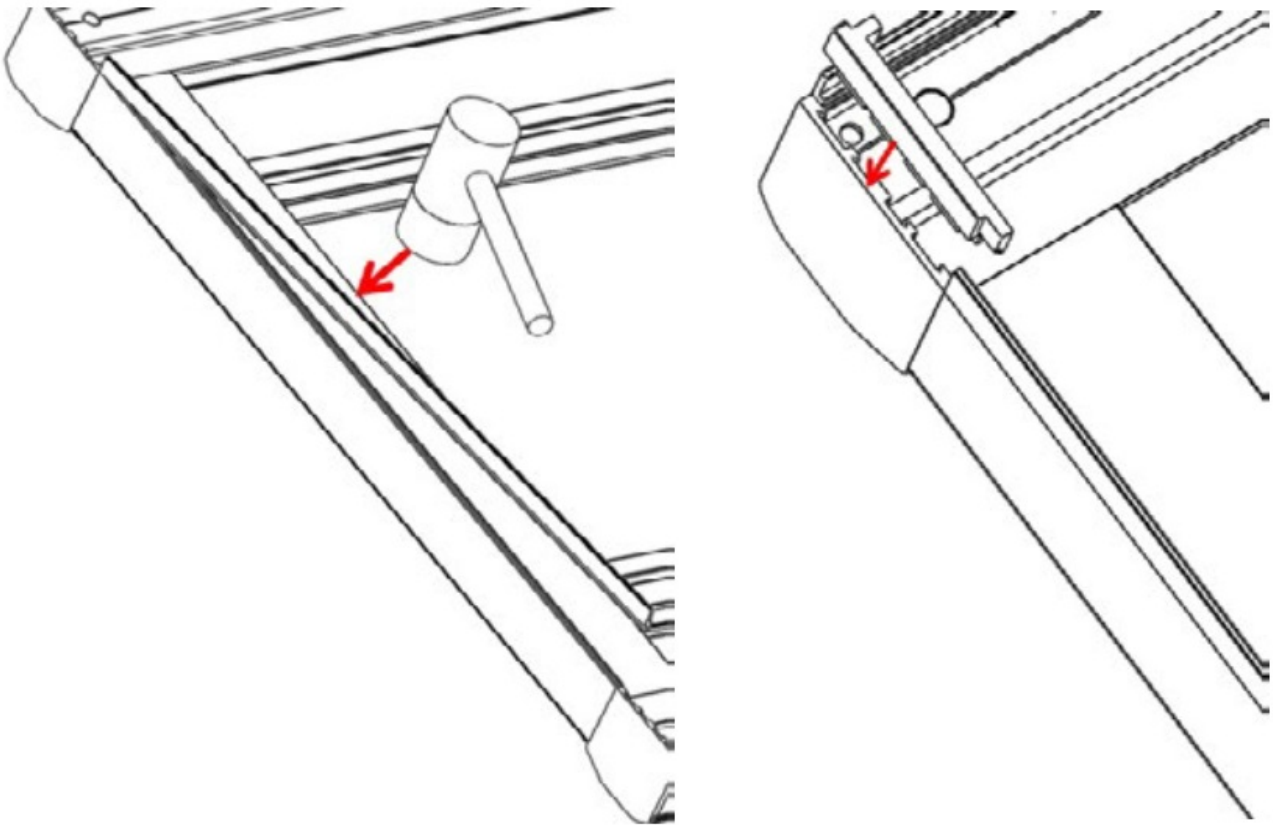


STEP 5: FITTING THE SPACER PROFILES FOR HEIGHT ADJUSTMENT

Check whether counterparts of the window (e.g. window handles) have an influence on the use of the mosquito net or blackout. Check whether the window installation elements affect the installation of the inner frame.



If necessary, insert the spacer profiles into the slot to adjust the height according to the length. Start with the aluminum profiles and then insert the plastic parts.



CARE INSTRUCTIONS

- To reduce the risk of heat damage due to strong sunlight, please only close the pleated blind two thirds of the way when the sun is shining very strongly.
- Clean the mosquito net and the pleated blind regularly with a soft cloth.
- Avoid using sharp objects or irritating chemical cleaning agents, as these can damage the blind system.

DISPOSAL

Dispose of the packaging according to type: Cardboard to waste paper, foil and styrofoam to the recycling bin. If you wish to decommission the product permanently, please contact the nearest recycling center or your specialist dealer for information on the applicable disposal regulations.

WARRANTY CONDITIONS

Reimo Reisemobil-Center GmbH, Boschring 10, D-63329 Egelsbach (hereinafter referred to as “Reimo” or “we”), provides a three-year warranty on the products sold under its own “Carbest” brand in addition to the statutory rights related to defects. The warranty period will start to run on the relevant invoice date. The geographical scope of

our warranty extends to the territory of the Federal Republic of Germany.

If any material defects or manufacturing defects are found in your purchased products during the warranty period, we will provide you with one of the following services at our discretion as part of the warranty:

- We will repair the goods free of charge; or
- We will exchange the goods for an equivalent product free of charge.
- Reimo will acquire ownership of any original parts that are replaced within the scope of the above warranty services. You will acquire ownership of the new parts or replacement parts.
- Any repairs or replacements provided under the warranty will not entitle you to extend or restart the relevant warranty period. If you wish to make a warranty claim, please contact the dealer from whom you purchased the product in question or Reimo directly as the warrantor:
- Reimo Reisemobil-Center GmbH, Boschring 10, D-63329 Egelsbach, Tel.: +49 6150 8662-310
- The warranty will not apply if any defects other than material defects or manufacturing defects are found.

Furthermore, warranty claims will be rejected if any damage is caused by:

- normal wear and tear;
- improper and non-intended use of the product;
- improper operation, installation, assembly, commissioning or operation contrary to the relevant instructions for use and/or installation, especially if instructions for maintenance and care or warnings are not observed;
- failure to observe any safety precautions;
- use of force (e.g. beating);
- self-repairs;
- use of any non-original parts or any parts not approved by the manufacturer;
- environmental factors (e.g. heat, humidity);
- circumstances for which the manufacturer is not responsible (e.g. natural disasters, accidents); or
- improper transportation.

In order to make a warranty claim, you must allow us to examine the case in question (e.g. by sending us the goods). Please use secure packaging to ensure that the goods are not damaged during transport. In order to make a warranty claim, you must enclose a copy of the invoice with the shipment of the goods. This will enable us to check whether the warranty conditions are met. If you do not enclose a copy of the invoice, we may refuse to provide services under the warranty. If your warranty claim is legitimate, you will not incur any shipping costs (i.e. we will reimburse you for any shipping costs incurred to send us the goods. Includes shipping within the Federal Republic of Germany only).

Please note:

This manufacturer's warranty provided by Reimo will not restrict any statutory warranty rights that you may be able to assert against Reimo / a dealer in the event of defects; you may exercise the relevant rights free of charge.

This manufacturer's warranty shall have no bearing on any statutory warranty rights that you may hold against Reimo. On the contrary, this manufacturer's warranty serves to consolidate your legal position.

If any of your purchased items are defective, you may always assert your statutory warranty rights against Reimo, regardless of whether the defects are covered by the warranty or whether a claim is asserted under the warranty.

- REIMO REISEMOBIL-CENTER GMBH
- 63329 EGELSBACH · BOSCHRING 10
- GERMANY · WWW.REIMO.COM
- MADE IN CHINA · © REIMO 04/2025

FAQ


- **How do I adjust the darkening blind and fly screen?**

To adjust the darkening blind or fly screen, refer to the specific instructions provided in the manual for step-by-step guidance.

- **Can the inner frame be painted?**

Avoid painting the inner frame as it may affect the functionality of the darkening blind and fly screen. Contact customer service for further inquiries.

Documents / Resources

 <p>CARBEST UniFrame Fenster-Innenrahmen UniFrame Window Inner Frame 3785 / 3786 / 3787 / 3788 / 3789</p> <table><tr><td>1</td><td>2</td></tr><tr><td>3</td><td>4</td></tr><tr><td>5</td><td>6</td></tr><tr><td>7</td><td>8</td></tr><tr><td>9</td><td>10</td></tr><tr><td>11</td><td>12</td></tr><tr><td>13</td><td>14</td></tr><tr><td>15</td><td>16</td></tr><tr><td>17</td><td>18</td></tr><tr><td>19</td><td>20</td></tr><tr><td>21</td><td>22</td></tr><tr><td>23</td><td>24</td></tr><tr><td>25</td><td>26</td></tr><tr><td>27</td><td>28</td></tr><tr><td>29</td><td>30</td></tr><tr><td>31</td><td>32</td></tr><tr><td>33</td><td>34</td></tr><tr><td>35</td><td>36</td></tr><tr><td>37</td><td>38</td></tr><tr><td>39</td><td>40</td></tr><tr><td>41</td><td>42</td></tr><tr><td>43</td><td>44</td></tr><tr><td>45</td><td>46</td></tr><tr><td>47</td><td>48</td></tr><tr><td>49</td><td>50</td></tr><tr><td>51</td><td>52</td></tr><tr><td>53</td><td>54</td></tr><tr><td>55</td><td>56</td></tr><tr><td>57</td><td>58</td></tr><tr><td>59</td><td>60</td></tr><tr><td>61</td><td>62</td></tr><tr><td>63</td><td>64</td></tr><tr><td>65</td><td>66</td></tr><tr><td>67</td><td>68</td></tr><tr><td>69</td><td>70</td></tr><tr><td>71</td><td>72</td></tr><tr><td>73</td><td>74</td></tr><tr><td>75</td><td>76</td></tr><tr><td>77</td><td>78</td></tr><tr><td>79</td><td>80</td></tr><tr><td>81</td><td>82</td></tr><tr><td>83</td><td>84</td></tr><tr><td>85</td><td>86</td></tr><tr><td>87</td><td>88</td></tr><tr><td>89</td><td>90</td></tr><tr><td>91</td><td>92</td></tr><tr><td>93</td><td>94</td></tr><tr><td>95</td><td>96</td></tr><tr><td>97</td><td>98</td></tr><tr><td>99</td><td>100</td></tr></table>	1	2	3	4	5	6	7	8	9	10	11	12	13	14	15	16	17	18	19	20	21	22	23	24	25	26	27	28	29	30	31	32	33	34	35	36	37	38	39	40	41	42	43	44	45	46	47	48	49	50	51	52	53	54	55	56	57	58	59	60	61	62	63	64	65	66	67	68	69	70	71	72	73	74	75	76	77	78	79	80	81	82	83	84	85	86	87	88	89	90	91	92	93	94	95	96	97	98	99	100	<p>CARBEST 37845 Uni Frame Window Inner Frame [pdf] Instruction Manual 37845, 37846, 37847, 37848, 37849, 37845 Uni Frame Window Inner Fra me, 37845, Uni Frame Window Inner Frame, Frame Window Inner Frame, Window Inner Frame, Inner Frame</p>
1	2																																																																																																				
3	4																																																																																																				
5	6																																																																																																				
7	8																																																																																																				
9	10																																																																																																				
11	12																																																																																																				
13	14																																																																																																				
15	16																																																																																																				
17	18																																																																																																				
19	20																																																																																																				
21	22																																																																																																				
23	24																																																																																																				
25	26																																																																																																				
27	28																																																																																																				
29	30																																																																																																				
31	32																																																																																																				
33	34																																																																																																				
35	36																																																																																																				
37	38																																																																																																				
39	40																																																																																																				
41	42																																																																																																				
43	44																																																																																																				
45	46																																																																																																				
47	48																																																																																																				
49	50																																																																																																				
51	52																																																																																																				
53	54																																																																																																				
55	56																																																																																																				
57	58																																																																																																				
59	60																																																																																																				
61	62																																																																																																				
63	64																																																																																																				
65	66																																																																																																				
67	68																																																																																																				
69	70																																																																																																				
71	72																																																																																																				
73	74																																																																																																				
75	76																																																																																																				
77	78																																																																																																				
79	80																																																																																																				
81	82																																																																																																				
83	84																																																																																																				
85	86																																																																																																				
87	88																																																																																																				
89	90																																																																																																				
91	92																																																																																																				
93	94																																																																																																				
95	96																																																																																																				
97	98																																																																																																				
99	100																																																																																																				

References

- [User Manual](#)

■ CARBEST

◆ 37845, 37845 Uni Frame Window Inner Frame, 37846, 37847, 37848, 37849, CARBEST, Frame Window Inner Frame, Inner Frame, Uni Frame Window Inner Frame, Window Inner Frame

Leave a comment

Your email address will not be published. Required fields are marked *

Comment *

Name

Email

Website

Save my name, email, and website in this browser for the next time I comment.

[Post Comment](#)

Search:

[Search](#)

[Manuals+](#) | [Upload](#) | [Deep Search](#) | [Privacy Policy](#) | [@manuals.plus](#) | [YouTube](#)

This website is an independent publication and is neither affiliated with nor endorsed by any of the trademark owners. The "Bluetooth®" word mark and logos are registered trademarks owned by Bluetooth SIG, Inc. The "Wi-Fi®" word mark and logos are registered trademarks owned by the Wi-Fi Alliance. Any use of these marks on this website does not imply any affiliation with or endorsement.