



CALIMET CM9 Series Single and Double Battery Installation Guide

[Home](#) » [CALIMET](#) » CALIMET CM9 Series Single and Double Battery Installation Guide 

Contents

- [1 CALIMET CM9 Series Single and Double Battery](#)
- [2 Product Information](#)
- [3 WIRING](#)
- [4 Documents / Resources](#)
- [5 Related Posts](#)

CALIMET

CALIMET CM9 Series Single and Double Battery



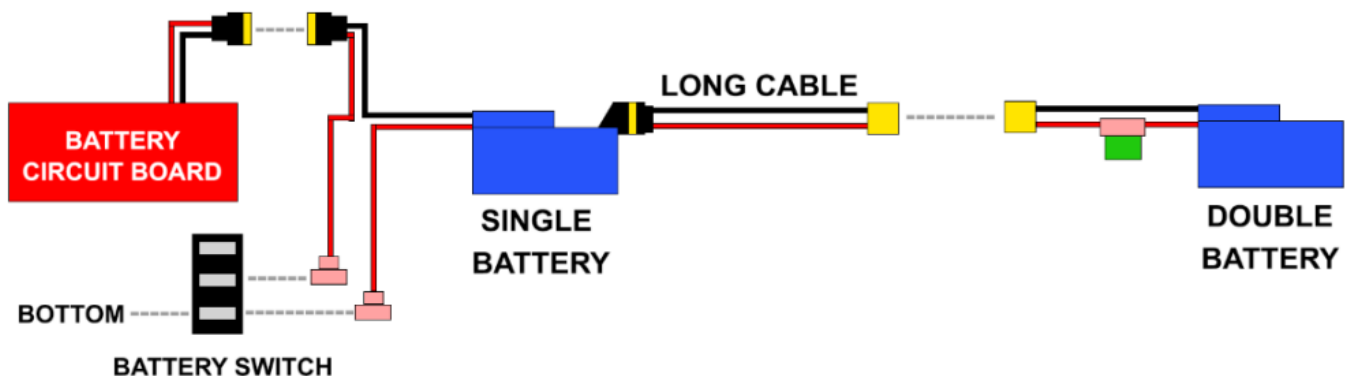
Product Information

This product is a battery-powered device designed for various applications. It requires either a single battery or two batteries, depending on the desired power output. The device has a power switch and a battery switch that need to be turned off before installing or replacing the batteries.

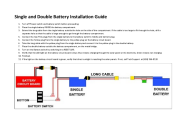
Single and Double Battery Installation Guide

1. Turn off Power switch and battery switch before proceeding.
2. Place the single battery INSIDE the battery compartment.
3. Extend the long cable from the single battery outside the hole on the side of the compartment. If the cable is too large to fit through the hole, drill a separate hole so that the cable is large enough to go through the battery compartment.
4. Connect the two Pink plugs from the single battery to the battery switch's middle and bottom plug.
5. Connect the Yellow plug from the single battery to the yellow plug on the battery circuit board.
6. Take the long cable with the yellow plug from the single battery and connect it to the yellow plug in the double battery.
7. Place the double battery outside the battery compartment, on the metal bridge.
8. Turn on the Battery switch by switching it to RESET (UP).
9. Verify that the LED light on the battery circuit board is blue. Blue means charging through the solar panel or AC electricity. Green means not charging.
10. Finished.
11. If the light on the battery circuit board is green, verify that direct sunlight is reaching the solar panels. If not, call Tech Support. at (626) 966-0128

WIRING



Documents / Resources

	<p>CALIMET CM9 Series Single and Double Battery [pdf] Installation Guide CM9-973-4, CM9 Series, Single and Double Battery, CM9 Series Single and Double Battery</p>
---	---