

[Skip to content](#)

Manuals+

User Manuals Simplified.



BUTURE JR200 STICK VACUUM CLEANER User Manual

August 7, 2022August 11, 2022 [Leave a comment on BUTURE JR200 STICK VACUUM CLEANER User Manual](#)

[Home](#) » [BUTURE](#) » BUTURE JR200 STICK VACUUM CLEANER User Manual 

BUTURE

Contents [hide](#)

[1 BUTURE JR200 STICK VACUUM CLEANER User Manual](#)

[2 PACKAGE LIST](#)

[3 PARTS LIST](#)

[4 CHARGING](#)

[5 ASSEMBLING](#)

[6 USAGE](#)

[7 CLEAN](#)

[8 MAINTENANCE](#)

[9 TROUBLESHOOTING](#)

[10 WARRANTY](#)

[11 Documents / Resources](#)

BUTURE JR200 STICK VACUUM CLEANER User Manual



sales@ibuture.com

WARNINGS

Thank you for purchasing the BUTURE JR200 stick vacuum cleaner.
Please read the user manual carefully before using the vacuum cleaner

- This BUTURE appliance is not intended for use by persons with reduced physical, sensory or mental capabilities, or lack of experience and knowledge, unless they have been given supervision or instruction by a responsible person concerning use of the appliance to ensure that they can use it safely.
- Do not use a damaged cable or plug. If the device or charger does not work properly, dropped, damaged, or dropped into water, please contact BUT URE after-sales team for support: sales@ibuture.com.
- Suitable for dry locations only. Do not use or store outdoors with wet surfaces. Do not handle any part of the plug or appliance with wet hands.
- Do not allow to be used as a toy. Close attention is necessary when used by or used near children. Children should be supervised to ensure that they do not play with the appliance.
- Do not vacuum flammable or combustible liquids, such as petrol, or use in areas where liquids may be present.
- Turn off the power switch before plug or unplug the adapter.
- Do not vacuum anything that is burning or smoking, such as cigarettes, matches, or hot ashes.
- Do not use without filters or dust cup to avoid damaging the motor and contaminating the air.
- FIRE WARNING-Do not place this product on or near a cooker or any other hot surface and do not incinerate this appliance even if it is severely damaged. The battery might catch fire or explode.
- Unplug the charger from the power outlet before performing routine cleaning or maintenance.
- Battery leaks may occur under extreme conditions. If any liquid gets on your skin, wash quickly with soap and water. If liquid gets into your eyes, rinse with water for at least 15 minutes immediately. Seek medical attention immediately.
- Charge the unit with the original charger.
- Avoid using this product to vacuum hard, sharp objects, as this may cause damage.

- Store properly in a dry place indoors. Do not expose the machine to freezing temperatures.
- The vacuum cleaner adopted thermal protection technology to prevent overheating, will stop working when the item is over-heated.

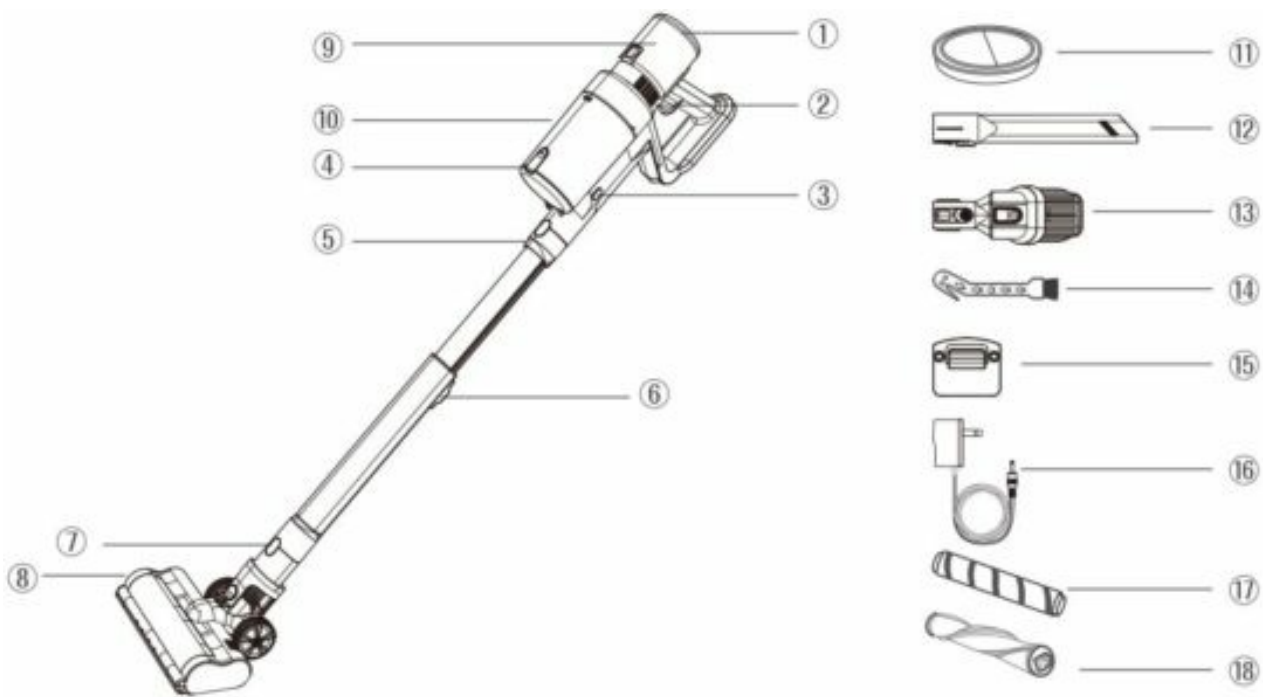
PACKAGE LIST

Please check and confirm the accessories and parts according to the following sheet before use.

Part Name	Quantity
Main Body	1
Battery	1 (Installed)
Telescopic Aluminum Alloy Tube	1
Electric Floor Brush	1
Soft Roller Brush	1
Stiff Roller Brush	1 (Installed)
Crevice Nozzle	1
2-in-1 Brush Tool	1

Wall Mount Stand	1
Charger	1
Filter Cleaning Brush Tool	1
Filter Cotton	2 (1 Installed)
Warranty Card	1
User Manual	1

PARTS LIST



Number	Name	Introduction
①	LED Screen and Speed Control	To choose the vacuum's mode, control speed, and indicating battery
②	ON/OFF Button	Turn ON/OFF the vacuum cleaner
③	Dust Cup Release Button	To remove the dust cup
④	Dust Release Button	To open the dust cup lid, dump out the trash
⑤	Main Body Release Button	To remove the main body
⑥	Telescopic Aluminum Alloy Tube	Adjust the length according to different needs
⑦	Brush Release Button	To remove the brush
⑧	Electric Floor Brush	Clean the dust and particles on floor
⑨	Battery	/
⑩	Dust cup	/
⑪	Filter Cotton	Install in the dust cup before use
⑫	Crevice Nozzle Tool	Remove dust in hard-to-reach area, such as window gaps, bottom of beds, sofa crevice, drawers, etc.

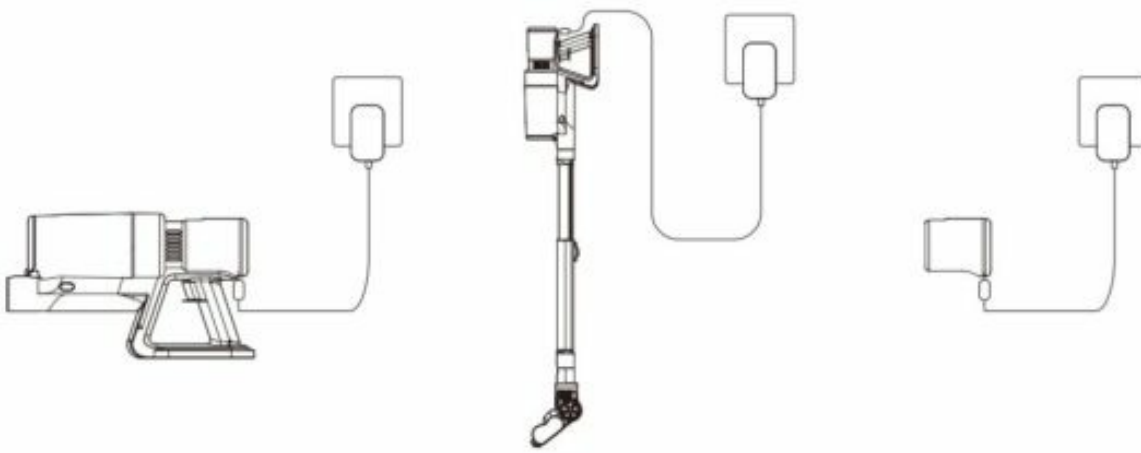
⑬	2-in-1 Brush Tool	Clean keyboards, desktops, cabinets, lamps, etc. The brushes can be withdrawn/retracted by pressing the release button according to needs
⑭	Filter Cleaning Brush Tool	Sweep away the dust on brush
⑮	Wall Mount Stand	Installed on the wall for easy storage of the vacuum cleaner
⑯	Charger	Battery charging adapter
⑰	Soft Roller Brush	Better for hard floor, such as wooden floor
⑱	Stiff Roller Brush	Better for soft surface, such as carpets

CHARGING

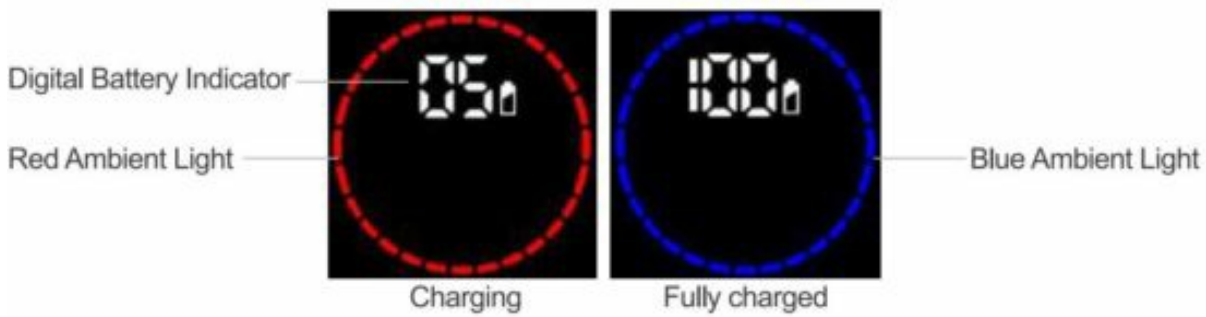
Turn off the power switch before charging.

1. One end of the charger is connected to the power supply and the other is connected to the battery charging port

(as shown below in the picture).



2. When charging, the digital battery indicator increases, and the red ambient light is breathing. When fully charged, the ambient light is always blue.

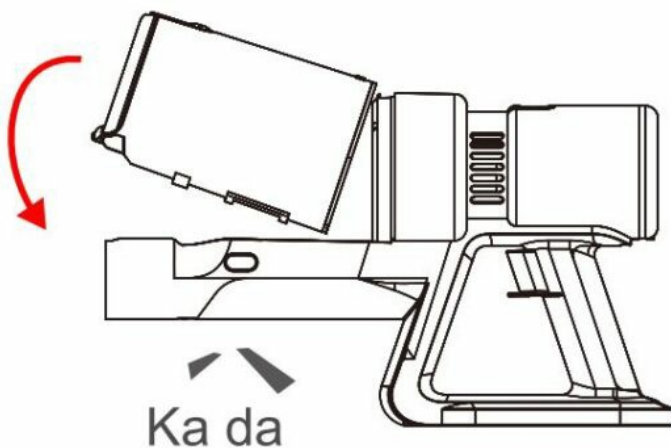


NOTE: Before the first use to ensure the normal operation of the product and charge it for more than 5 hours.

ASSEMBLING

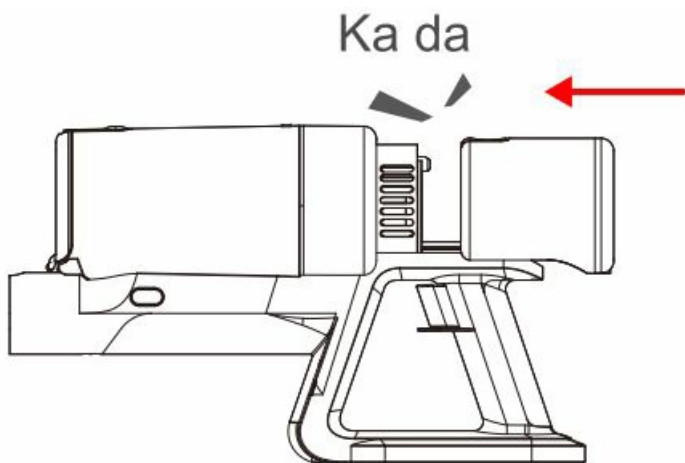
- Assemble dust cup with motor unit

Install the dust cup, put the dust cup align with the motor unit connector (refer to picture below).



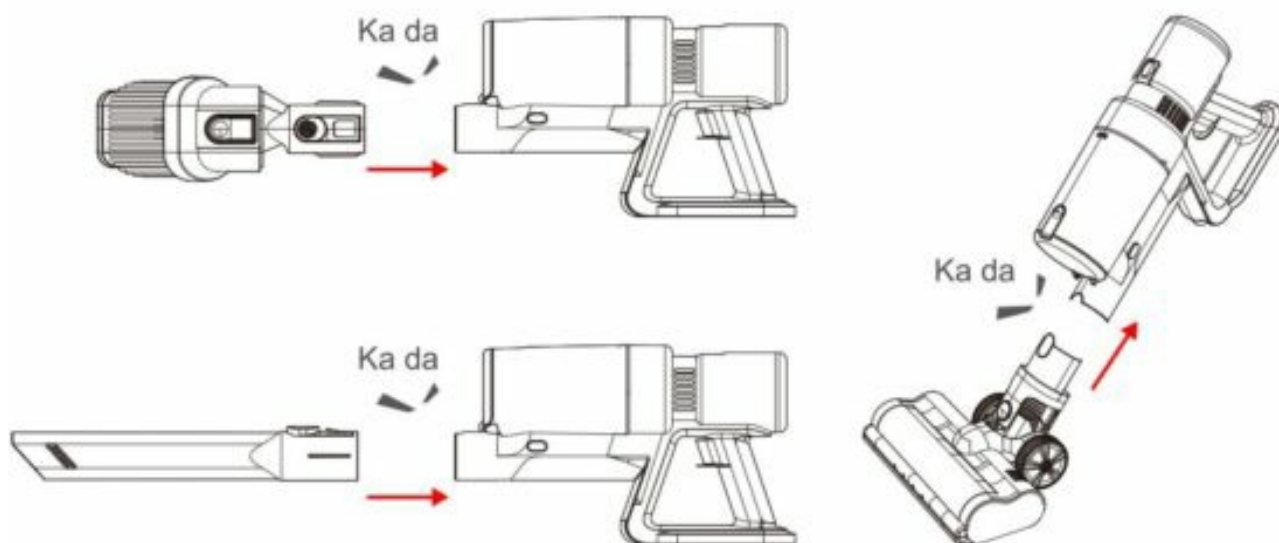
- **Assemble battery with motor unit**

Put the battery align with the motor unit connector then push it to the connector (refer to picture below).

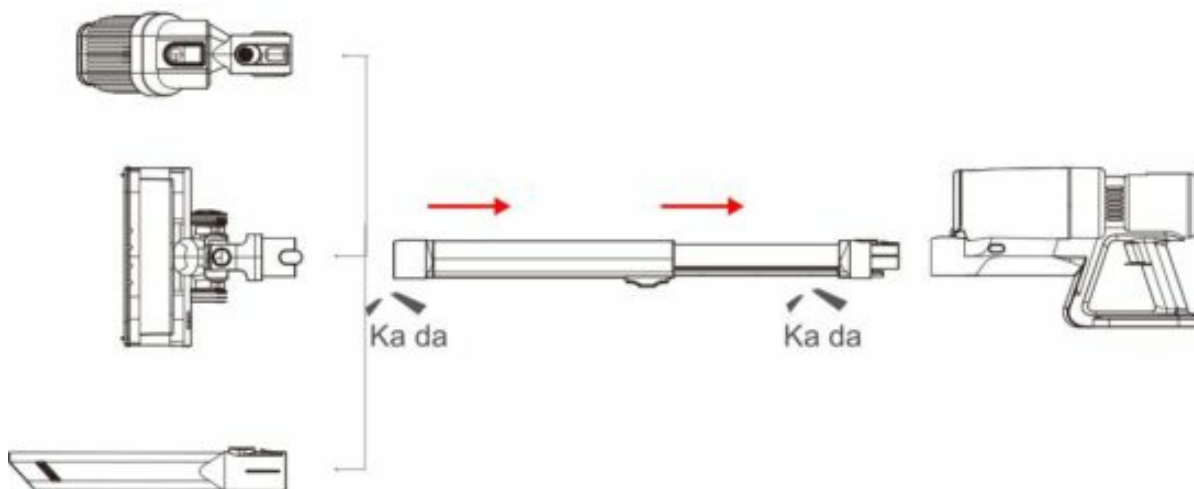


• Connect long tube and brush head

A. To clean sofas and beds, assemble directly the main body with the brush head (refer to picture below).

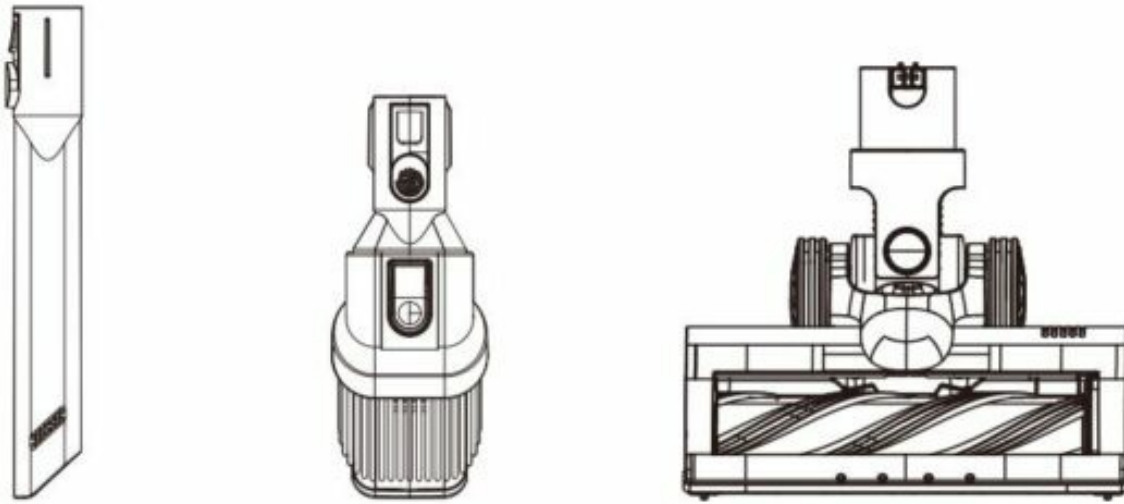


B. To clean floor, stairs and high places, it's suggested to connect the main body with long tube and brush together(refer to picture below).



USAGE

1. Choose a brush head according to your needs (refer to picture below).



2. Then aim the suction port of the vacuums at the surface of the object to be cleaned (refer to picture below).



3. Press the ON/OFF to start work, the battery indicator lights up (refer to picture below).



4. Adjust the suction power

A. Choose the suction power according to your needs: Slide the speed bar on the screen to adjust the suction power (refer to picture below).

a. Slide the speed bar to two grids: Low suction and the bar lights on blue (refer to picture below).



b. Slide the speed bar to four grids: Medium suction and the bar lights on violet (refer to picture below).



c. Slide the speed bar to four grids: High suction and the bar lights on red (refer to picture below).



B. AUTO MODE: Touch the MODE button and AUTO will light up in green.

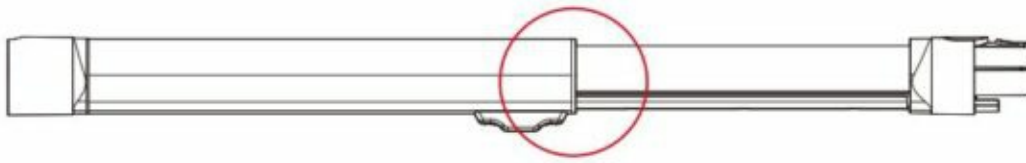
In this case, the suction power is automatically adjusted according to the roughness of the ground:

- a. The suction is automatically low and medium in places such as floor tiles and floors.
- b. The suction is automatically medium and high in places such as cement floors and short-haired carpets.
- c. The suction is automatically high in long-haired carpets and other places.

Exit AUTO mode: Touch the MODE button again, the Auto green light goes out.

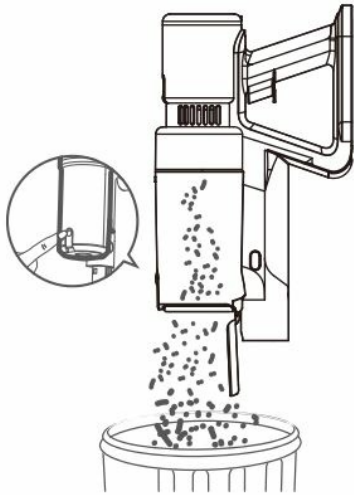


5. According to different needs, the length of the tube can be adjusted. When you need to extend, gently pull down the button while lifting the tube. When you need to shorten it, gently pull up the button and pull the tube back at the same time.



6. After cleaning, press the ON/OFF button to turn off the vacuum cleaner.

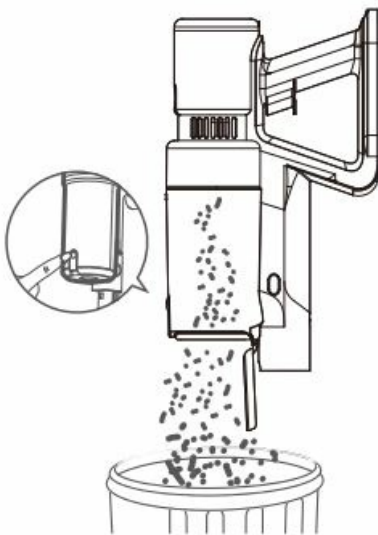
7. Remove the tube, press the dust cup lid release button to put out the debris (refer to picture below).



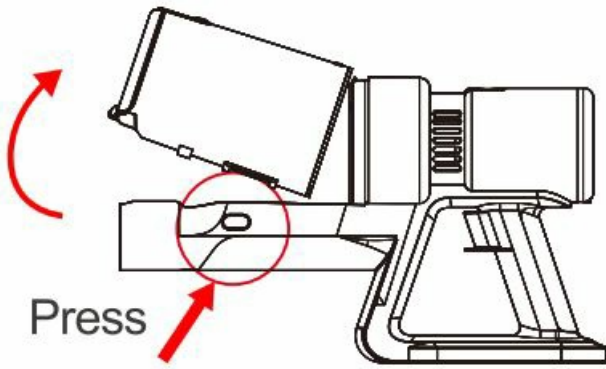
CLEAN

Clean the dust cup

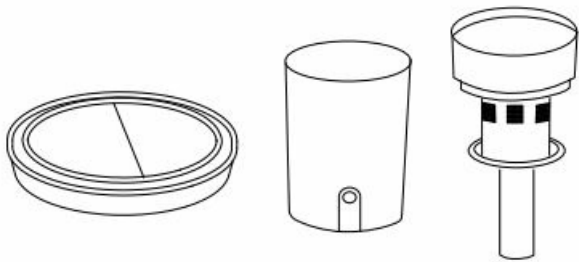
1. Press the release button to open the dust cup lid, dump out the trash (refer to picture below).



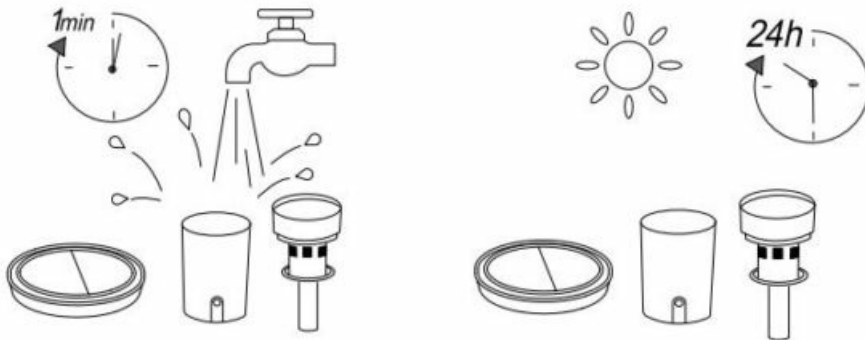
2. Press the buttons on both sides at the same time to remove the dust cup (refer to picture below).



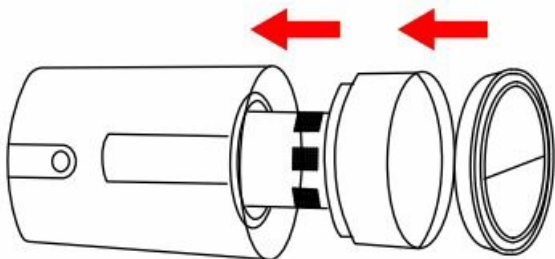
3. Take out the filter cotton and the stainless steel filter (refer to picture below).



4. Clean the filter and dust cup with or without water and dry it (refer to picture below).



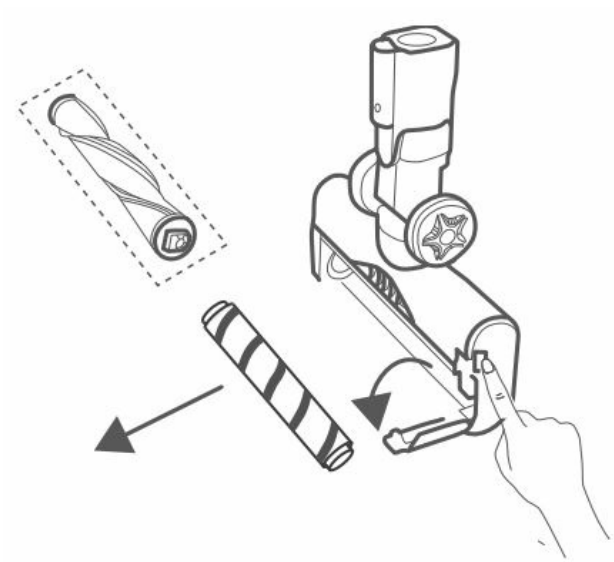
5. Put the stainless steel filter and Hepa filter in the dust cup. Install the dust box into motor unit (refer to picture below).



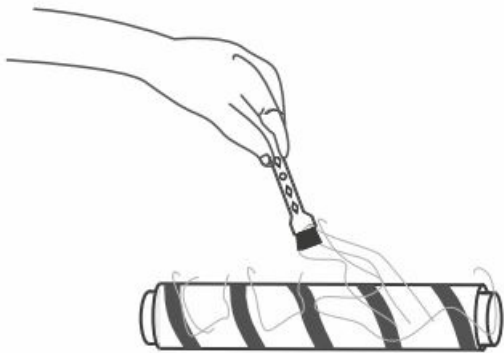
• Clean the brush

NOTE: Ensure the appliance is disconnected from the charger before removing the roller brush. Be careful not to pull the ON button.

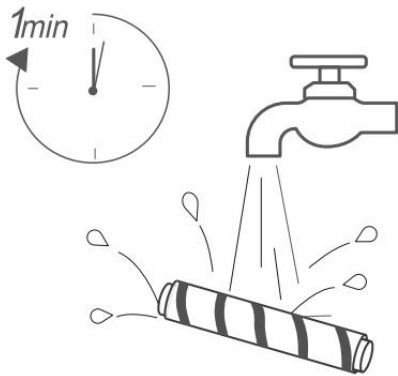
1. Push up the switch to the “unlock” side, remove the plug, then take out the roller brush (refer to picture below).



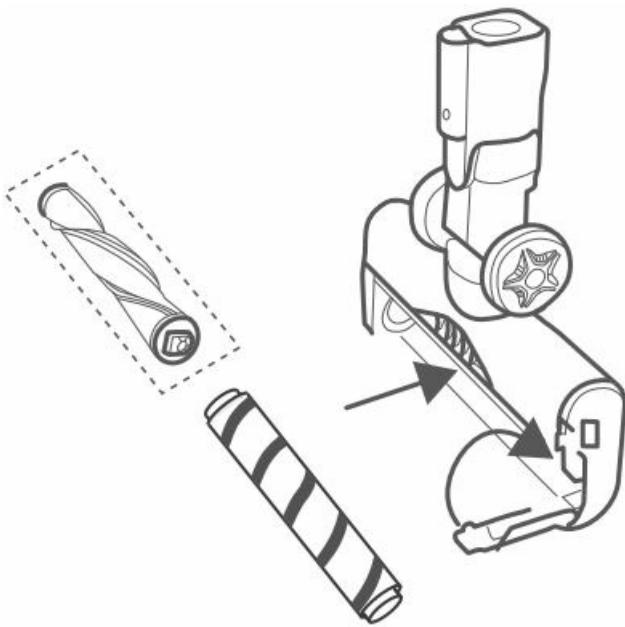
2. Use the brush cleaning tool to sweep away the trash on the roller (refer to picture below).



3. Clean the roller brush with/without water (refer to picture below).



4. Push in gently to install the roller brush. Before replacing, make sure the brush is completely dry (refer to picture below).




MAINTENANCE

1. Please clean it regularly to prolong the service life of the vacuum cleaner. Wash the filter unit with cold water at least every month.
2. Main Body (hand-held, non-washable parts) Cleaning:
 - A. Turn off the power before cleaning.
 - B. Use a neutral detergent, wipe the body with a half-wet cloth.
 - C. Avoid sun exposure and store in a cool and dry place.
3. Put the cleaned filter in a ventilated place to dry before use.
4. Replace the filter cotton every 3-6 months according to frequency of use (Bonus: A extra filter cotton is provided in the package).

TROUBLESHOOTING

Common Trouble	Possible Causes	Solutions
Vacuum can not work	1. Battery damaged 2. The motorized brush head is blocked with hair or other debris	1. Charge before use 2. Remove blockage in suction inlet
Suction reduced	1. The dust cup is full of dust 2. The filters are full of dust 3. The suction or brush inlet blocked 4. Low battery	1. Empty the dust cup 2. Clean or change the filter cotton 3. Remove blockage in suction inlet and brush 4. Charge the vacuum cleaner
Charging indicator does not light up	1. Battery damaged 2. Screen damaged 3. Adaptor not correctly connected or damaged	1. Charge the vacuum cleaner 2. Change the motor unit 3. Change the adaptor or fully insert the charging terminal into the battery charging terminal
Insufficient use time after charging	1. Insufficient charging time 2. Battery aging 3. The dust cup is full of dust 4. The filters are full of dust 5. The suction inlet or brush blocked	1. Vacuum cleaner fully charged 2. Change the battery 3. Empty the dust cup 4. Clean or change the filter cotton 5. Remove blockage in suction inlet and brush

The roller brushes can not work	The roller brush blocked with hair, pebbles, or other debris	1.Clean the roller brush 2.Avoid picking up large rubbish such as pebbles
Red Brush Roller Icon "  " flashes on the Display	Brush roller tangled	1. Clean the roller brush 2. Avoid picking up large rubbish such as pebbles
Display turns black and shows "E2" in the middle	Motor / Floor brush short circuit	Please contact the seller for help
Display turns black and shows " E3 " in the middle	Motor Stalling / Brush roller tangled	Clean the dust cup, filters and floor brush. If the problem could not be solved, contact the seller for help.
Display turns black and shows " E4 " in the middle	Battery temperature is too high	Stop using / charging the device until the battery temperature becomes normal

Display turns black and shows " E5 " in the middle	Low Battery	Please use the original charger for charging
Display turns black and shows " E6 " in the middle	Adapter voltage is too height / Charging over-voltage protection	Please use the original charger when charging
Display turns black and shows " E7 " in the middle	Poor contact between battery and motor, or other problems with the device	Please contact the seller for help

WARRANTY

If there are any problems or malfunctions during use, please send your questions and order number to our email. We will provide you a good after-sales service within 24 hours.

E-mail: sales@ibuture.com

BUTURE

Read More About This Manual & Download PDF:

Documents / Resources



[BUTURE JR200 STICK VACUUM CLEANER \[pdf\] User Manual](#)
JR200, STICK VACUUM CLEANER, VACUUM CLEANER

Related Manuals / Resources

Leave a comment



[PHILIPS FC6405 Vacuum Cleaner User Manual](#)

PHILIPS FC6405 Vacuum Cleaner WHAT IS INBOX PARTS CHARGING LIGHT PROCEDURE WARNINGCLEANING ASSEMBLING WASHING CHARGING LIQUID SETTING



[SAMSUNG VS15A60 Vacuum Cleaner User Manual](#)

Vacuum cleaner User manual VS15A60**** Before operating this unit, please read the instructions carefully. For indoor use only....



[PHILIPS XB9155 Vacuum Cleaner User Manual](#)

www.philips.com/support 3000.040.2066.1 www.philips.com >75% recycled paper >75% papier recyclé
XB9155_HURRICANE_TURKEY_3000.040.2066.1_SDFU_A5_sc.indd 13-08-19 12:57



[DEENKEE DK700 Vacuum cleaner Owner's Manual](#)

DK700 Vacuum cleaner

Your email address will not be published. Required fields are marked *

Comment *

Name

Email

Website

Save my name, email, and website in this browser for the next time I comment.

[Manuals+](#),

- [home](#)
- [privacy](#)