



BUNN ITCB Dual Volt with Tray Installation Guide

[Home](#) » [BUNN](#) » BUNN ITCB Dual Volt with Tray Installation Guide 

BUNN ITCB Dual Volt with Tray



Contents

- 1 Important Information
- 2 BUNN-O-MATIC COMMERCIAL PRODUCT WARRANTY
- 3 HOOD, TRUNK, & BASE
- 4 TANK ASSEMBLY
- 5 DISPENSE VALVE & SPRAYHEAD
- 6 TANK FILL & DRAIN
- 7 TANK FILL & DRAIN WITH SWEET BREW
- 8 FAUCET ASSEMBLY
- 9 ELECTRICAL COMPONENTS
- 10 FUNNEL ASSEMBLY, COFFEE
- 11 FUNNEL ASSEMBLY, TEA
- 12 NUMERICAL INDEX
- 13 Customer Support
- 14 Documents / Resources
 - 14.1 References
- 15 Related Posts

Important Information

To ensure you have the latest revision of the Operating Manual, Illustrated Parts Catalog, Programming Manual, or Service Manual, please visit the Bunn-O-Matic website, at www.bunn.com. This is absolutely FREE, and the quickest way to obtain the latest catalog and manual updates. For Technical Service, contact Bunn-O-Matic Corporation at 1-800-286-6070.

BUNN-O-MATIC COMMERCIAL PRODUCT WARRANTY

Bunn-O-Matic Corp. ("BUNN") warrants equipment manufactured by it as follows:

1. Airpots, thermal carafes, decanters, GPR servers, iced tea/coffee dispensers, MCR/MCP/MCA single cup brewers, thermal servers and ThermoFresh® servers (mechanical and digital) 1 year parts and 1 year labor.
2. All other equipment – 2 years parts and 1 year labor plus added warranties as specified below:
 - a) Electronic circuit and/or control boards – parts and labor for 3 years.
 - b) Compressors on refrigeration equipment – 5 years parts and 1 year labor.
 - c) Grinding burrs on coffee grinding equipment to grind coffee to meet original factory screen sieve analysis – parts and labor for 4 years or 40,000 pounds of coffee, whichever comes first.

These warranty periods run from the date of installation BUNN warrants that the equipment manufactured by it will be commercially free of defects in material and workmanship existing at the time of manufacture and appearing within the applicable warranty period. This warranty does not apply to any equipment, component or part that was not manufactured by BUNN or that, in BUNN's judgment, has been affected by misuse, neglect, alteration, improper installation or operation, improper maintenance or repair, non periodic cleaning and descaling, equipment failures related to poor water quality, damage or casualty. In addition, the warranty does not apply to replacement of items subject to normal use including but not limited to user replaceable parts such as seals and gaskets. This warranty is conditioned on the Buyer 1) giving BUNN prompt notice of any claim to be made under this warranty by telephone at (217) 529-6601 or by writing to Post Office Box 3227, Springfield, Illinois 62708-3227; 2) if requested by BUNN, shipping the defective equipment prepaid to an authorized BUNN service location; and 3) receiving prior authorization from BUNN that the defective equipment is under warranty. THE FOREGOING WARRANTY IS EXCLUSIVE AND IS IN LIEU OF ANY OTHER WARRANTY, WRITTEN OR ORAL, EXPRESS OR IMPLIED, INCLUDING, BUT NOT LIMITED TO, ANY IMPLIED WARRANTY OF EITHER MERCHANTABILITY OR FITNESS FOR A PARTICULAR PURPOSE. The agents, dealers or employees of BUNN are not authorized to make modifications to this warranty or to make additional warranties that are binding on BUNN. Accordingly, statements by such individuals, whether oral or written, do not constitute warranties and should not be relied upon. If BUNN determines in its sole discretion that the equipment does not conform to the warranty, BUNN, at its exclusive option while the equipment is under warranty, shall either 1) provide at no charge replacement parts and/or labor (during the applicable parts and labor warranty periods specified above) to repair the defective components, provided that this repair is done by a BUNN Authorized Service Representative; or 2) shall replace the equipment or refund the purchase price for the equipment.

THE BUYER'S REMEDY AGAINST BUNN FOR THE BREACH OF ANY OBLIGATION ARISING OUT OF THE SALE OF THIS EQUIPMENT, WHETHER DERIVED FROM WARRANTY OR OTHERWISE, SHALL BE LIMITED, AT BUNN'S SOLE OPTION AS SPECIFIED HEREIN, TO REPAIR, REPLACEMENT OR REFUND.

In no event shall BUNN be liable for any other damage or loss, including, but not limited to, lost profits, lost sales, loss of use of equipment, claims of Buyer's customers, cost of capital, cost of down time, cost of substitute equipment, facilities or services, or any other special, incidental or consequential damages.

392, A Partner You Can Count On, Air Infusion, AutoPOD, AXIOM, BrewLOGIC, BrewMETER, Brew Better Not Bitter, BrewWISE, BrewWIZARD, BUNN Espresso, BUNN Family Gourmet, BUNN Gourmet, BUNN Pour-O-Matic, BUNN, BUNN with the stylized red line, BUNNlink, Bunn-O-Matic, Bunn-O-Matic, BUNNserve, BUNNSERVE with the stylized wrench design, Cool Froth, DBC, Dr. Brew stylized Dr. design, Dual, Easy Pour, EasyClear, EasyGard, FlavorGard, Gourmet Ice, Gourmet Juice, High Intensity, iMIX, Infusion Series, Intellisteam, My Café, Phase Brew, PowerLogic, Quality Beverage Equipment Worldwide, Respect Earth, Respect Earth with the stylized leaf and coffee cherry design, Safety-Fresh, savemycoffee.com, Scale-Pro, Silver Series, Single, Smart Funnel, Smart

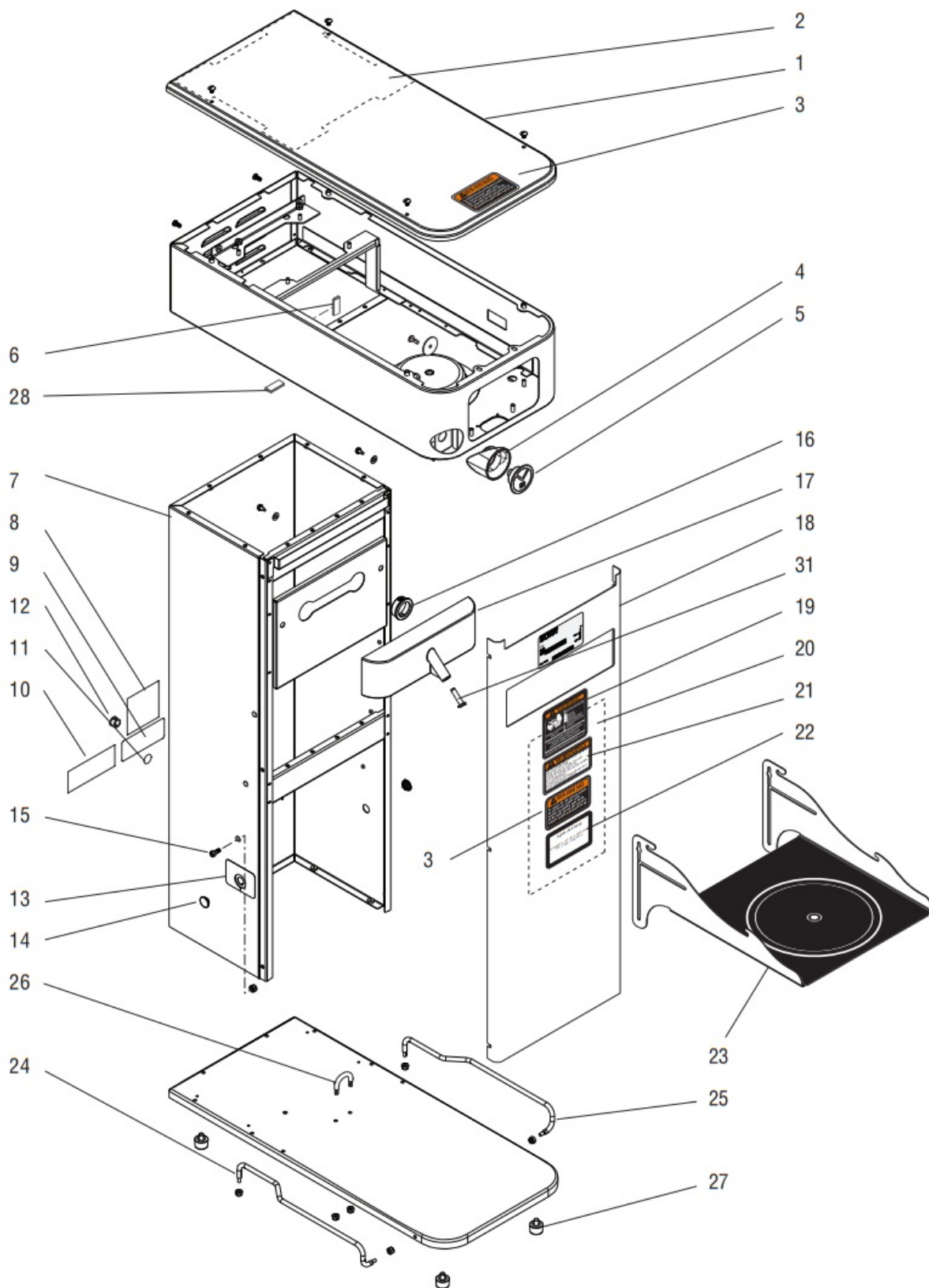
Hopper, SmartWAVE, Soft Heat, SplashGard, The Mark of Quality in Beverage Equipment Worldwide, ThermoFresh, Titan, trifecta, TRIFECTA (stylized logo), Velocity Brew, Air Brew, Beverage Bar Creator, Beverage Profit Calculator, Brew better, not bitter., Build-A-Drink, BUNNSource, Coffee At Its Best, Cyclonic Heating System, Daypart, Digital Brewer Control, Element, Milk Texturing Fusion, Nothing Brews Like a BUNN, Picture Prompted Cleaning, Pouring Profits, Signature Series, Sure Tamp, Tea At Its Best, The Horizontal Red Line, Ultra are either trademarks or registered trademarks of Bunn-O-Matic Corporation. The commercial trifecta® brewer housing configuration is a trademark of Bunn-O-Matic Corporation.

Fraction	Decimal		Fraction	Decimal
1/16	0.063		9/16	0.563
1/8	0.125		5/8	0.625
3/16	0.188		11/16	0.688
1/4	0.250		3/4	0.750
5/16	0.313		13/16	0.813
3/8	0.375		7/8	0.875
7/16	0.438		15/16	0.938
1/2	0.500		1	1.000

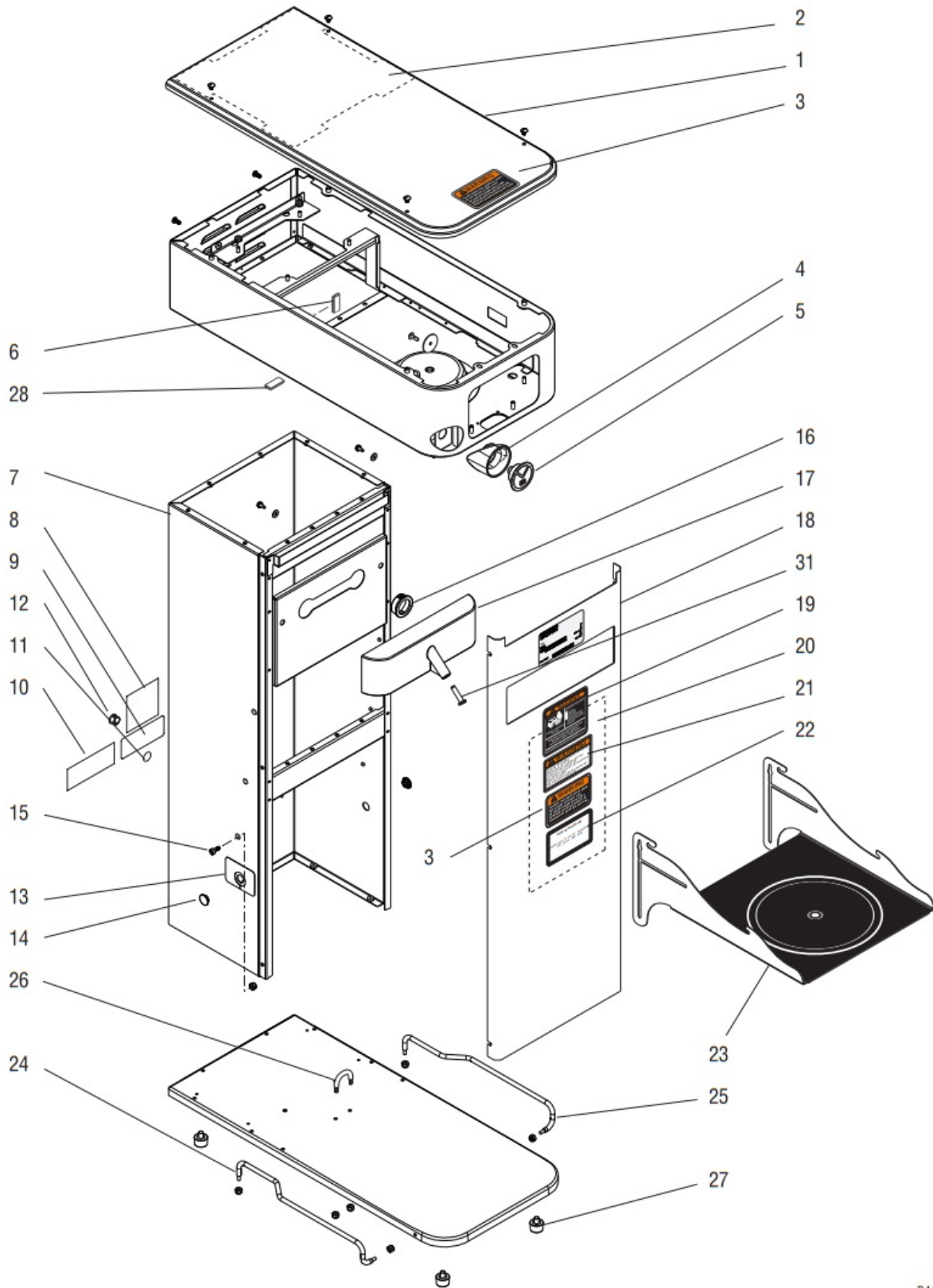
HOOD, TRUNK, & BASE

ITEM	PART NO.	QTY.	DESCRIPTION
1	44736.1025	1	Cover Assy, Top (Includes items 2 & 3)
	01311.0004	4	Screw, Truss Head, BLK #6-32 x .25" Lkg
2		1	Shield, Insulator
3	37881.0000	2	Decal, No Serviceable Parts
4	52896.0000	1	Faucet Bezel
5	53619.0000	1	Plug, Faucet Hole
	33651.0000	1	Washer
	01317.0003	1	Screw, Truss Head #8-32 x .50" Lkg
6		1	Gasket, U-channel, 2.0" (Order item 29)
7	45860.1015	1	Trunk Assy. (Includes items 8, 9, 10 & 13)
	01315.0000	6	Screw, Truss Head #8-32 x .38"
8	00986.0000	1	Decal, Warning-Electrical
9	51453.0000	1	Decal, Risk of Fire
10	00656.0001	1	Decal, Compliance to Plumbing Code
11	00824.0001	1	Decal, Equipotentiality (230V Models)
12	00669.0002	1	Plug

13	29007.0005	2	Decal, Hot Water Side Faucet
14	00619.0002	2	Plug
15	20621.0001	6	Plug (Models without Tray)
	29504.0005	6	Screw, Shoulder
	00991.0000	6	Nut, Elastic Lock #8-32
16	01592.0001	1	Bushing
17	36360.1001	1	Nozzle, Dilution
	02332.0005	2	Screw, Hex #6-32 x .38"
	28614.0000	2	Washer
18	53870.1000	1	Cover Assy, Front (Includes items 2, 19, 21, 22)
	01315.0000	6	Screw, Truss Head #8-32 x .38"
19	00658.0000	1	Decal, Warning-Decanter/Funnel
20	53869.0000	1	Schematic, ITCB-DV
	53869.0001	1	Schematic, ITCBA
21	39175.0000	1	Decal, Warning Overlay Graphic
22	29710.0009	1	Decal, Optional Field Wiring (Dual Volt Models only)
23	38704.1005	1	Flip Tray w/Decal (Models with Flip Tray)



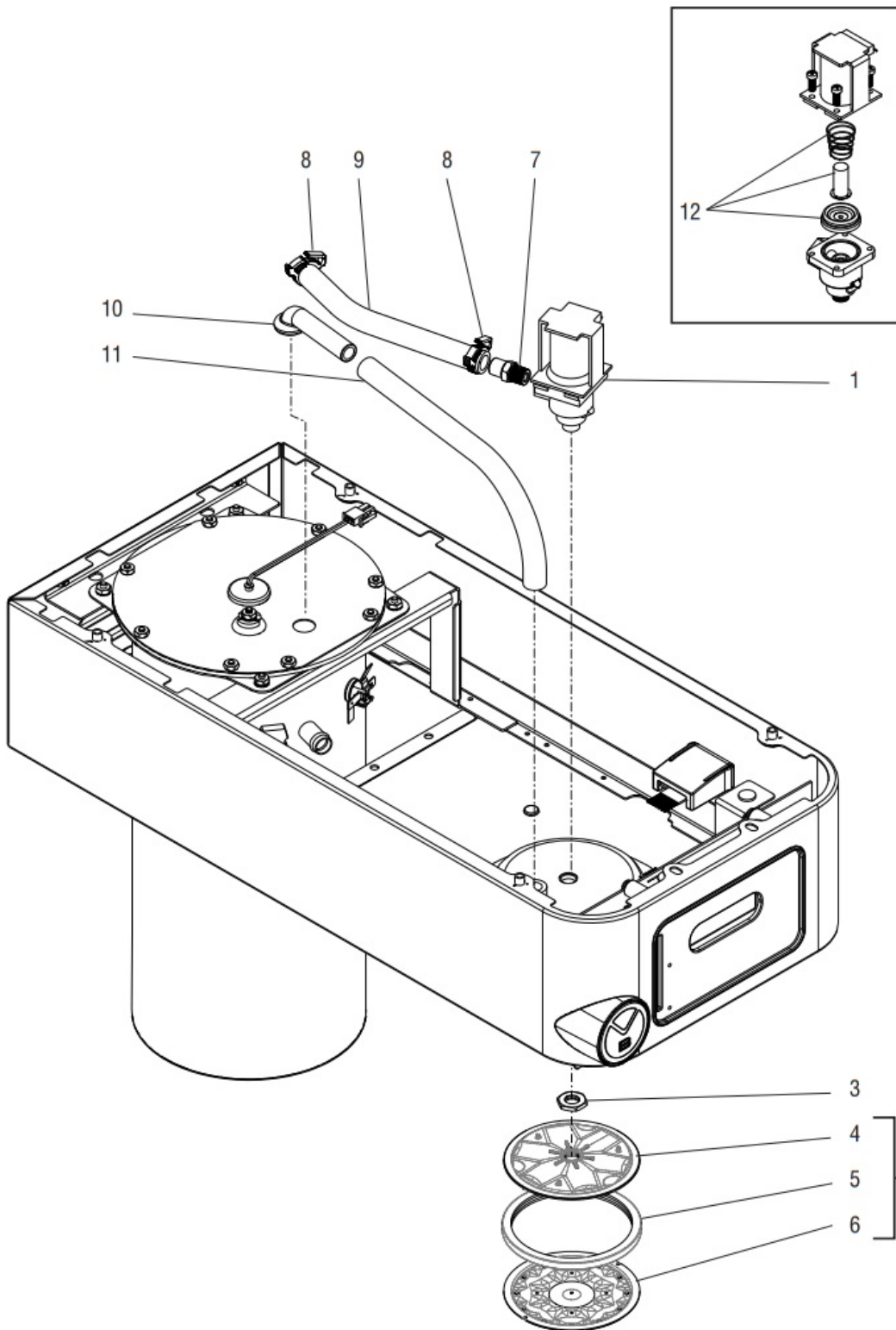
ITEM	PART NO.	QTY.	DESCRIPTION
24	36461.0001	1	Guide Rail, Left
	00991.0000	2	Nut, Elastic Lock #8-32
25	36462.0001	1	Guide Rail, Right
	00991.0000	2	Nut, Elastic Lock #8-32
26	36412.0000	1	Rail, Stop
	00991.0000	2	Nut, Elastic Lock #8-32
27	25137.0001	4	Foot
	24600.0000	–	Foot Kit, Set of 4
28		1	Edging 1.0" (Order item 30)
29	02434.1000	–	Gasket, U-channel, 18.0" (Use as Required)
30	02712.1000	–	Edging 18.0" (Use as Required)
31	42507.0000	1	Fitting, Press In (Models with Sweet Brew Option)



TANK ASSEMBLY

ITEM	PART NO.	QTY.	DESCRIPTION
1	33937.0004	1	Tank (Models ITCB-DV)
	33937.0003	1	Tank (Models ITCBA, 230V)
	00970.0000	3	Nut, Hex #8-32
	01501.0000	1	Washer
	20203.0100	1	Lockwasher, Internal-tooth #8
	00908.0000	1	Nut, Hex #8-32
2	29329.1000	1	Limit Thermostat
3	04221.0000	1	Gasket
4	28735.0000	1	Lid
	00908.0000	8	Nut, Hex #8-32
5	38969.0003	1	Fitting, 90° Silicone
6	38114.0000	1	Grommet, Liquid Level Probe
7	33801.0003	1	Grommet, Temp. Sensor
8	29485.1004	1	Tank Heater 1800W, 120V (Includes item 9) (Models ITCB-DV)
	05037.1000	1	Tank Heater 3500W, 230V (Includes item 9) (Models ITCBA, 230V)
9	00943.0000	2	Gasket
10	00942.0000	2	Nut, Hex .50"-20
11	02755.1002	1	Tank Heater 1680W, 120V (Includes item 12) (Models ITCB-DV)
12	00943.0000	2	Gasket
13	00942.0000	2	Nut, Hex .50"-20 (4 Used on DV Models)
14	29279.0000	1	Cap, Tube-Silicone Models without Faucet on
15	12422.0005	1	Clamp, Hose-Snap Type .62"-.71" ID
16	39085.1001	1	Probe Kit, Temperature and Dry Plug
17	07412.1002	1	Probe, Liquid Level (Regular Dispense)
	07412.1003	1	Probe, Liquid Level (Sweet Brew Dispense)
	01501.0000	1	Washer
	20203.0100	1	Lockwasher, Internal-tooth #8
	00908.0000	1	Nut, Hex #8-32

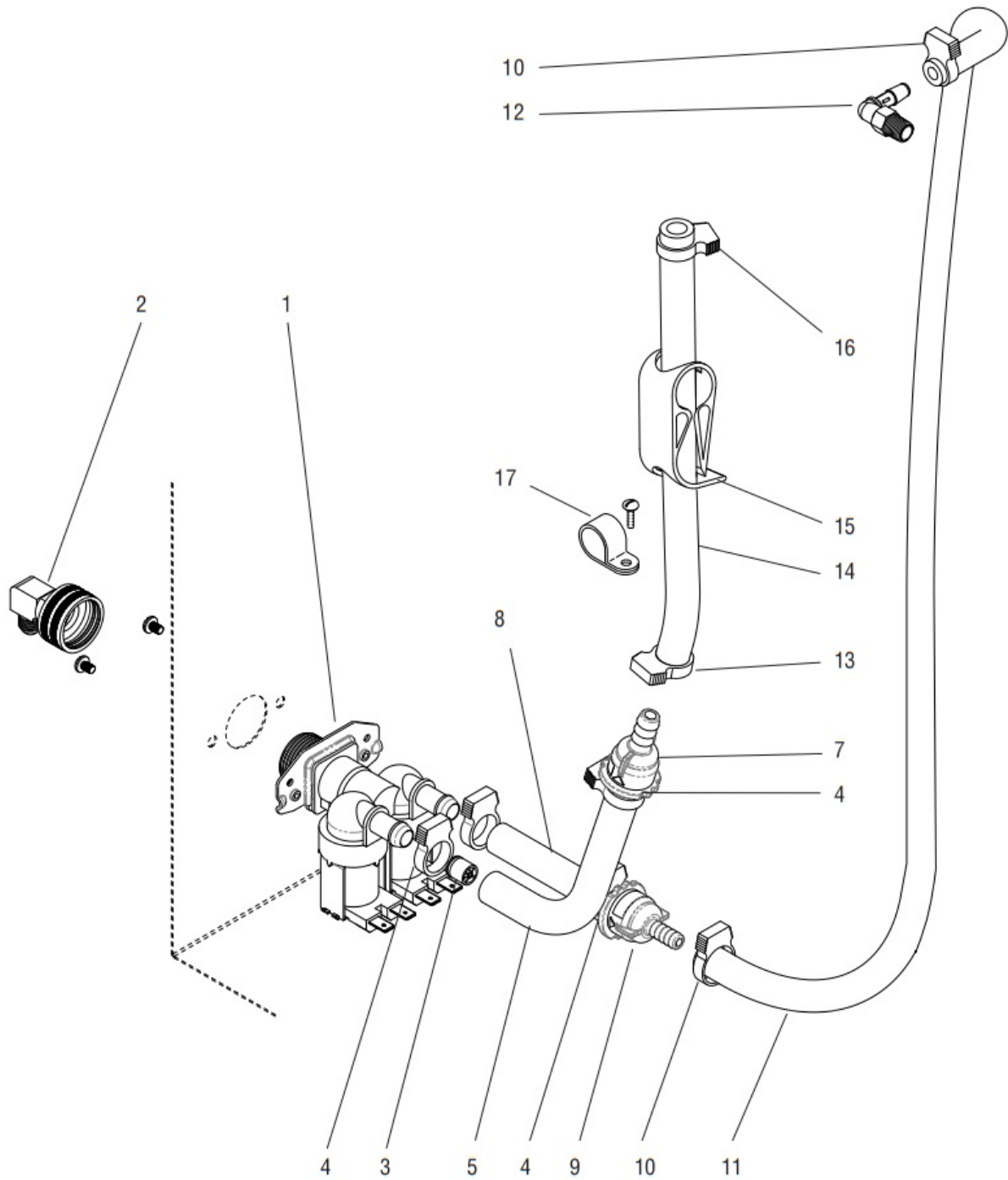
ITEM	PART NO.	QTY.	DESCRIPTION
1	26846.0000	1	Valve, Dispense (120V)
	26846.0002	1	Valve, Dispense (240V)
2	40670.1222	1	Sprayhead, 17 Hole (Includes items 4,5 & 6)
3	01075.0000	1	Nut, Hex .438"-20
4	52112.0003	1	Back, Sprayhead
5	34868.0000	1	Seal
6	43920.0002	1	Sprayhead, 17 Hole
7	34956.0004	1	Fitting
8	12422.0009	2	Clamp, SNP-14
9		1	Tube .50" ID x 7.88" (Order item 13)
10	38969.0003	1	Fitting, 90° Silicone
11		1	Tube .50" ID x 12.0" (Order item 13)
12	11517.0008	1	Repair Kit, Dispense Valve (Includes Plunger, Spring and Diaphragm)
The following items are not illustrated.			
13	32591.1001	1	Tube .50" ID x 12.0" (Use as required)
	32591.1002	1	Tube .50" ID x 36.0" (Use as required)



P4402.50

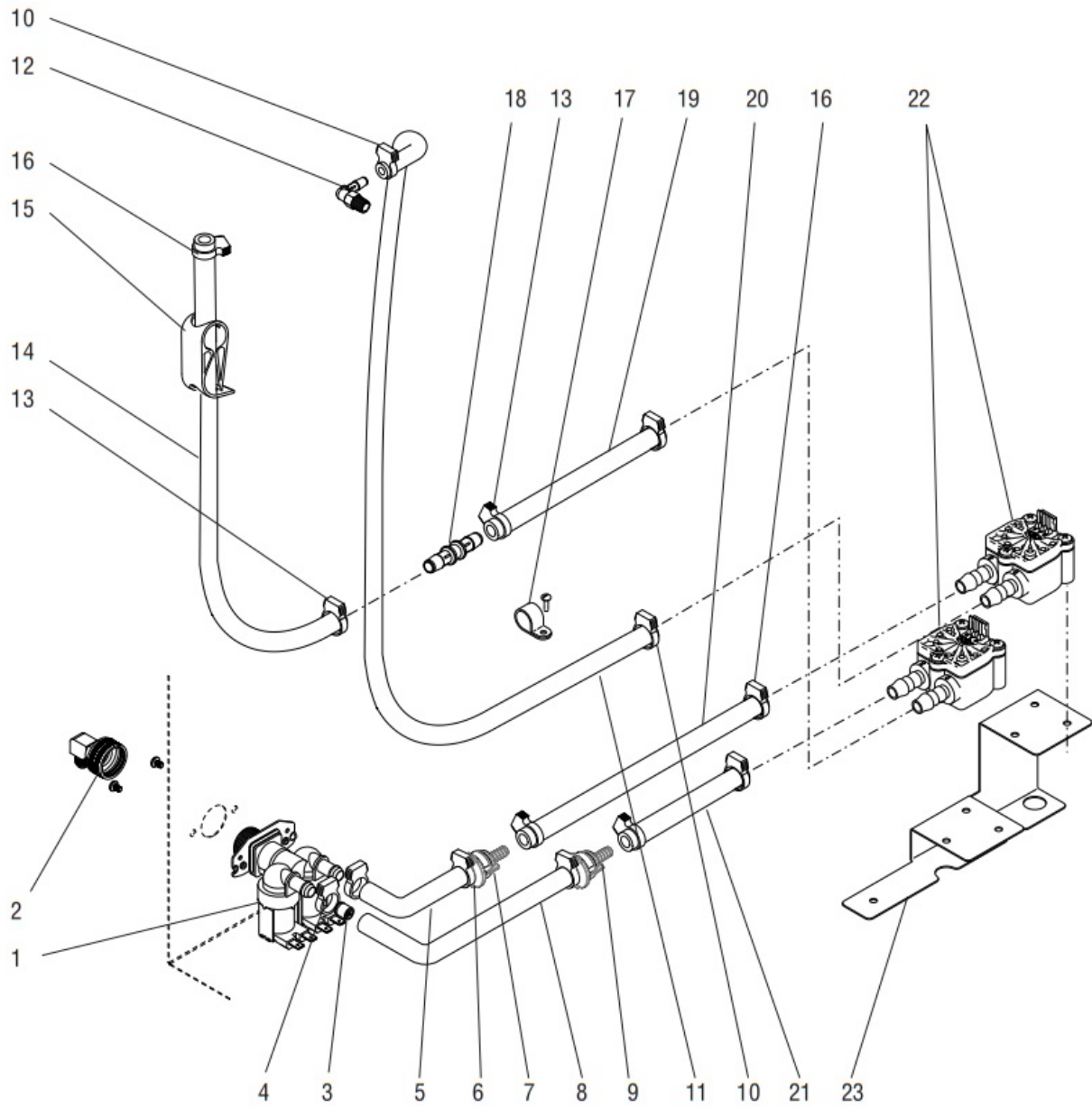
TANK FILL & DRAIN

ITEM	PART NO.	QTY.	DESCRIPTION
1	41761.0000	1	Valve, Water Inlet 120V
	41761.0008	1	Valve, Water Inlet 230V
	32283.0000	2	Screw, Pan Head M4 x 6mm
2	37297.1006	1	Elbow
3	36378.0001	1	Check Valve
4	12422.0005	4	Clamp, Hose-Snap .62/.71 ID
5		1	Hose, Flex .375" ID x 6.0" (Order item 18)
6	21275.0003	2	Clamp
7	41595.0010	1	Flow Assy
8		1	Hose, Flex .375" ID x 3.0" (Order item 18)
9	41595.0011	1	Flow Assy
10	12422.0000	2	Clamp
11		1	Tube, Silicone .25" ID x 28.0" (Order item 19)
12	47355.0001	1	Elbow
13	12422.0001	1	Clamp
14		1	Tube, Silicone .375" ID x 20.0" (Order item 20)
15	11630.0001	1	Clamp, Shut Off
16	12422.0006	1	Clamp
17	00610.0000	1	Clamp
	02308.0000	1	Screw, Pan Head #8-32 x .38"
The following items are not illustrated			
18	34325.1000	Hose, Flex .375" ID x 1 Foot (Use as required)	
	34325.1001	Hose, Flex .375" ID x 3 Feet (Use as required)	
	34325.1002	Hose, Flex .375" ID x 10 Feet (Use as required)	
19	11707.1001	Tube, Silicone .25" ID x 3 Feet (Use as required)	
	11707.1002	Tube, Silicone .25" ID x 10 Feet (Use as required)	
	11707.1004	Tube, Silicone .25" ID x 250 Feet (Use as required)	
20	20976.1000	Tube, Silicone .375" ID x 1 Foot (Use as required)	
	20976.1001	Tube, Silicone .375" ID x 3 Feet (Use as required)	
	20976.1002	Tube, Silicone .375" ID x 10 Feet (Use as required)	

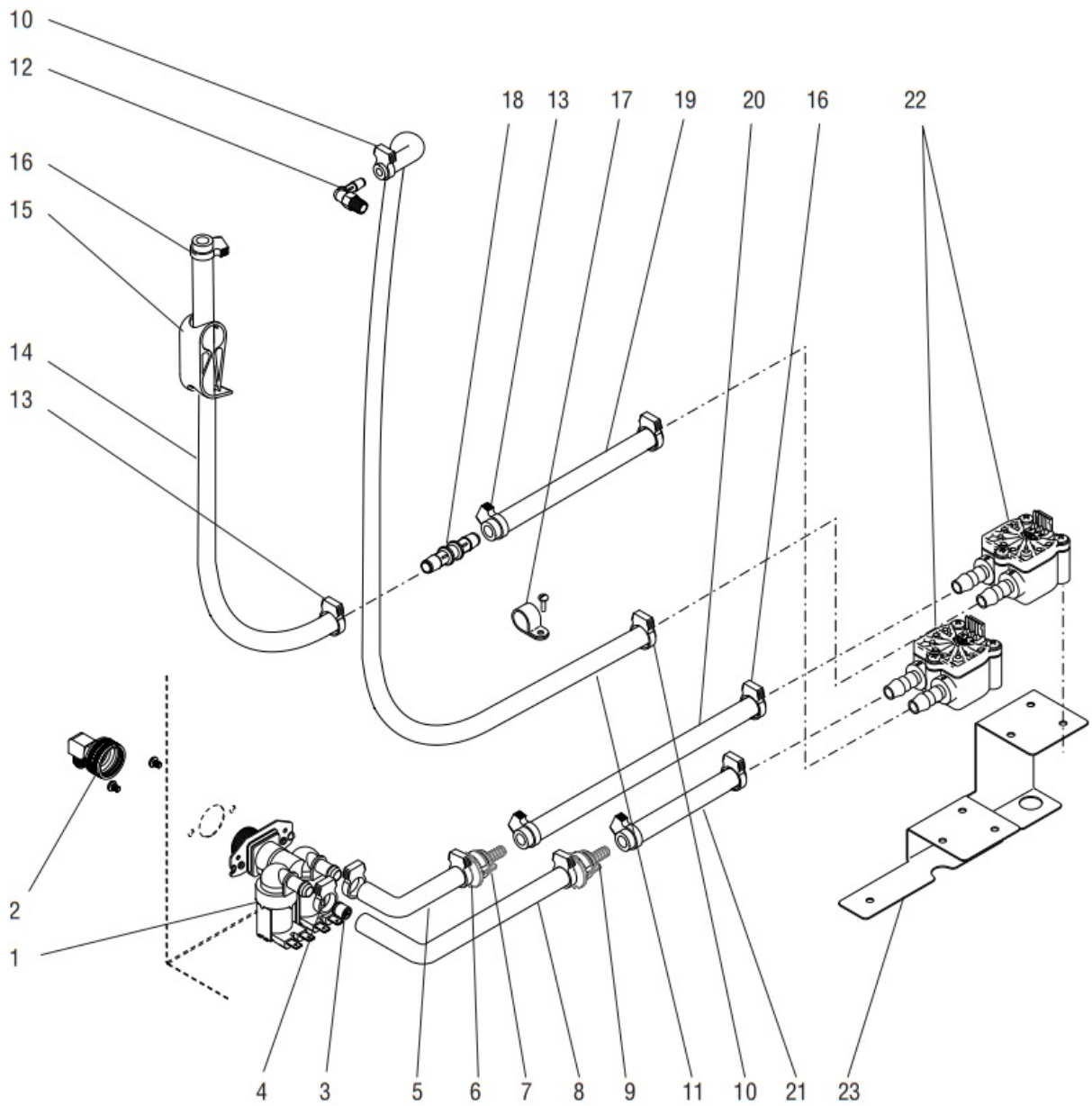


TANK FILL & DRAIN WITH SWEET BREW

ITEM	PART NO.	QTY.	DESCRIPTION
1	41761.0000	1	Valve, Water Inlet 120V
	41761.0008	1	Valve, Water Inlet 230V
	32283.0000	2	Screw, Pan Head M4 x 6mm
2	37297.1006	1	Elbow
3	36378.0001	1	Check Valve
4	12422.0005	2	Clamp, Hose-Snap .62/.71 ID
5		1	Hose, Flex .375" ID x 6.0" (Order item 24)
6	21275.0003	2	Clamp
7	41595.0010	1	Flow Assy
8		1	Hose, Flex .375" ID x 3.0" (Order item 24)
9	41595.0011	1	Flow Assy
10	12422.0000	2	Clamp
11		1	Tube, Silicone .25" ID x 28.0" (Order item 25)
12	47355.0001	1	Elbow
13	12422.0001	3	Clamp
14		1	Tube, Silicone .375" ID x 20.0" (Order item 26)
15	11630.0001	1	Clamp, Shut Off
16	12422.0006	5	Clamp
17	00610.0000	1	Clamp
	02308.0000	1	Screw, Pan Head #8-32 x .38"
18	45313.0000	1	Connector, Union
19		1	Tube, Silcone .313" ID x 6.0" (Order item27)
20		1	Tube, Silicone .25" ID x 6.0" (Order item 25)
21		1	Tube, Silcone .313" ID x 4.0" (Order item27)
22	40752.0003	2	Flow Meter
	02363.0000	6	Screw, Pan Head, #8-15 x .38"
23	54897.0000	1	Bracket, Flow Meter

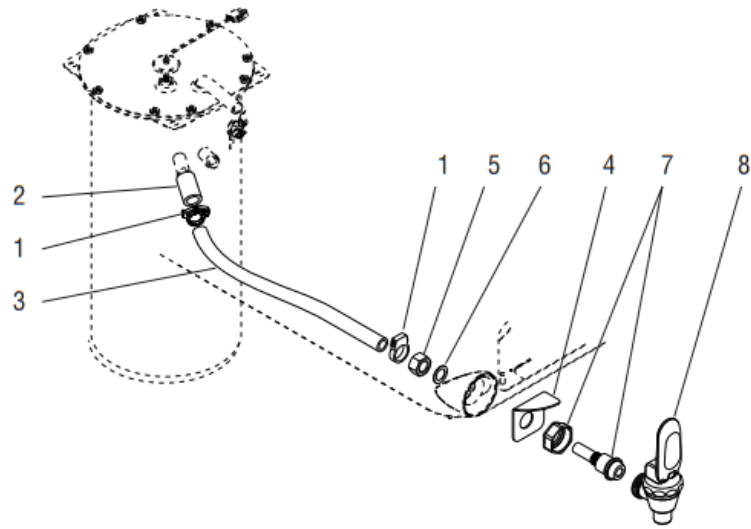


ITEM	PART NO.	QTY.	DESCRIPTION
The following items are not illustrated.			
24	34325.1000	–	Hose, Flex .375" ID x 1 Foot (Use as required)
	34325.1001	–	Hose, Flex .375" ID x 3 Feet (Use as required)
	34325.1002	–	Hose, Flex .375" ID x 10 Feet (Use as required)
25	11707.1001	–	Tube, Silicone .25" ID x 3 Feet (Use as required)
	11707.1002	–	Tube, Silicone .25" ID x 10 Feet (Use as required)
	11707.1004	–	Tube, Silicone .25" ID x 250 Feet (Use as required)
26	20976.1000	–	Tube, Silicone .375" ID x 1 Foot (Use as required)
	20976.1001	–	Tube, Silicone .375" ID x 3 Feet (Use as required)
	20976.1002	–	Tube, Silicone .375" ID x 10 Feet (Use as required)
27	28526.1000	–	Tube, Silicone .313" ID x 12.0" (Use as required)
	28526.1001	–	Tube, Silicone .313" ID x 36.0" (Use as required)
	28526.1002	–	Tube, Silicone .313" ID x 60.0" (Use as required)
28	44079.0002	1	Wiring Harness, Flow Meter

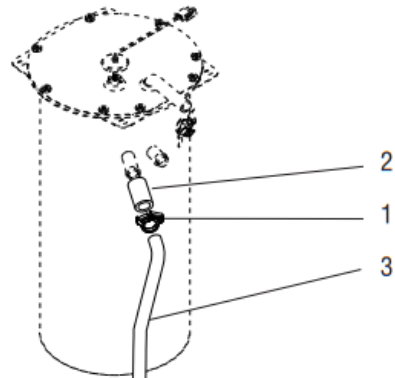


FAUCET ASSEMBLY

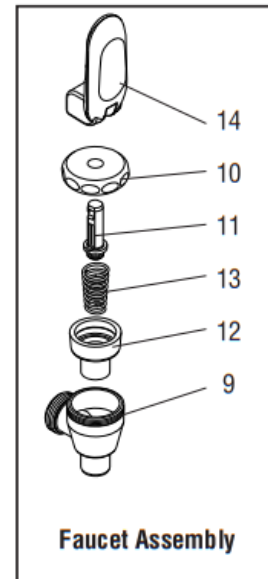
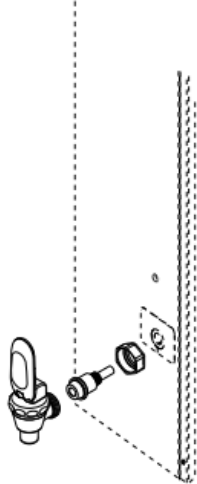
ITEM	PART NO.	QTY.	DESCRIPTION
1	12422.0009	2	Clamp
2		1	Tube, Silicone .50 ID x 1.8" (Order item 15)
3		1	Tube, Silicone .25 ID x 31.0" (Order item 16)
4	52707.1004	1	Bracket, Stabilizer
5	29264.0000	1	Nut
6	01544.0000	1	Washer
7	01268.0000	1	Nut
8	03260.1026	1	Faucet Assy (Includes items 9 – 14)
9	37758.0002	1	Body
10	29165.0002	1	Bonnet
11	29164.0000	1	Stem
12	00600.0000	1	Seat Cup
13	00601.0000	1	Spring
14	51315.0004	1	Handle, Red
15	32591.1001	–	Tube .50" ID x 12.0" (Use as required)
	32591.1002	–	Tube .50" ID x 36.0" (Use as required)
	32591.1003	–	Tube .50" ID x 120.0" (Use as required)
16	11707.1001	–	Tube, Silicone .25" ID x 3 Feet (Use as required)
	11707.1002	–	Tube, Silicone .25" ID x 10 Feet (Use as required)
	11707.1004	–	Tube, Silicone .25" ID x 250 Feet (Use as required)
The following items are not illustrated			
17	51315.1004	–	Faucet Repair Kit (Includes 11-14)



Top Mounted



Side Mounted

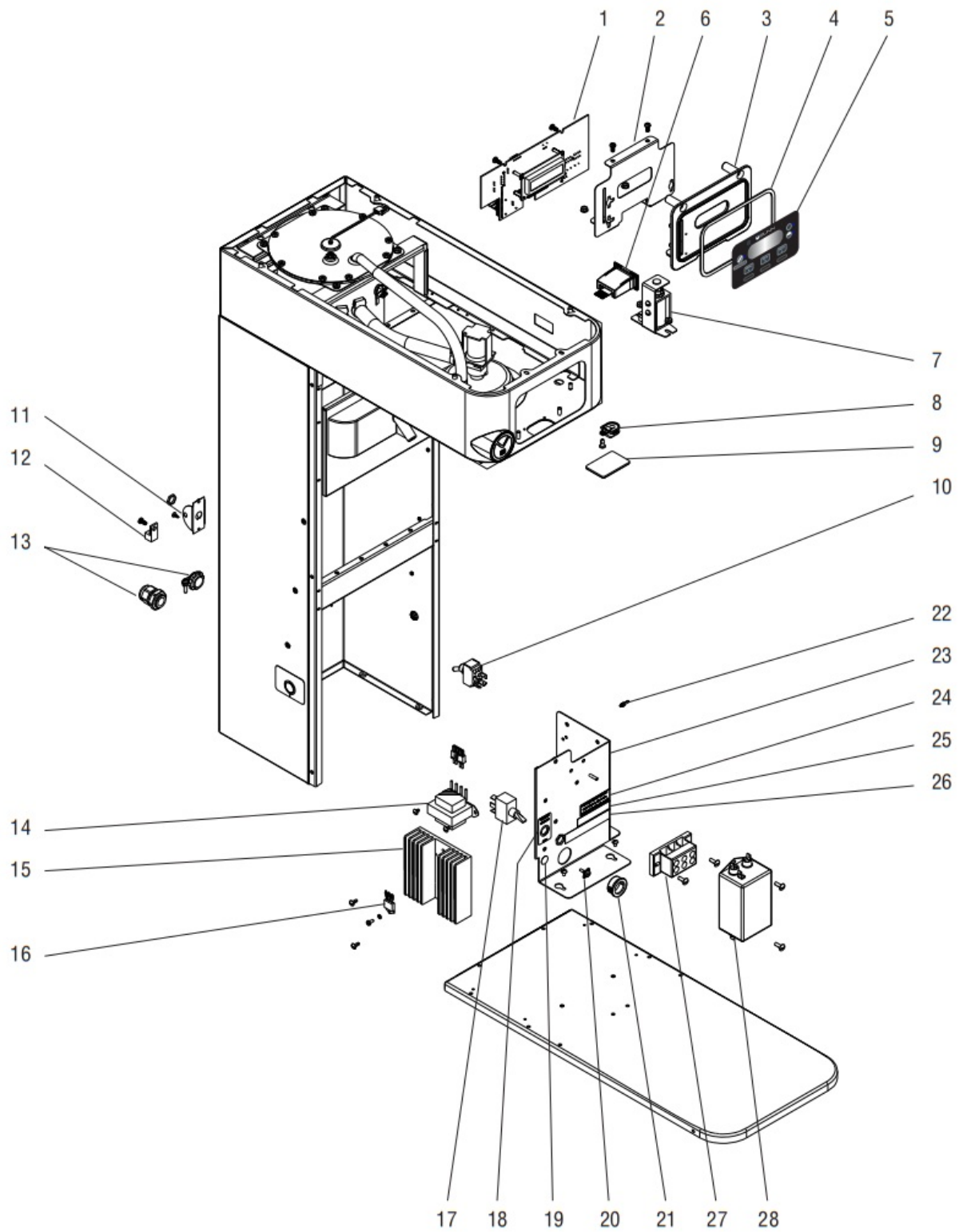


ELECTRICAL COMPONENTS

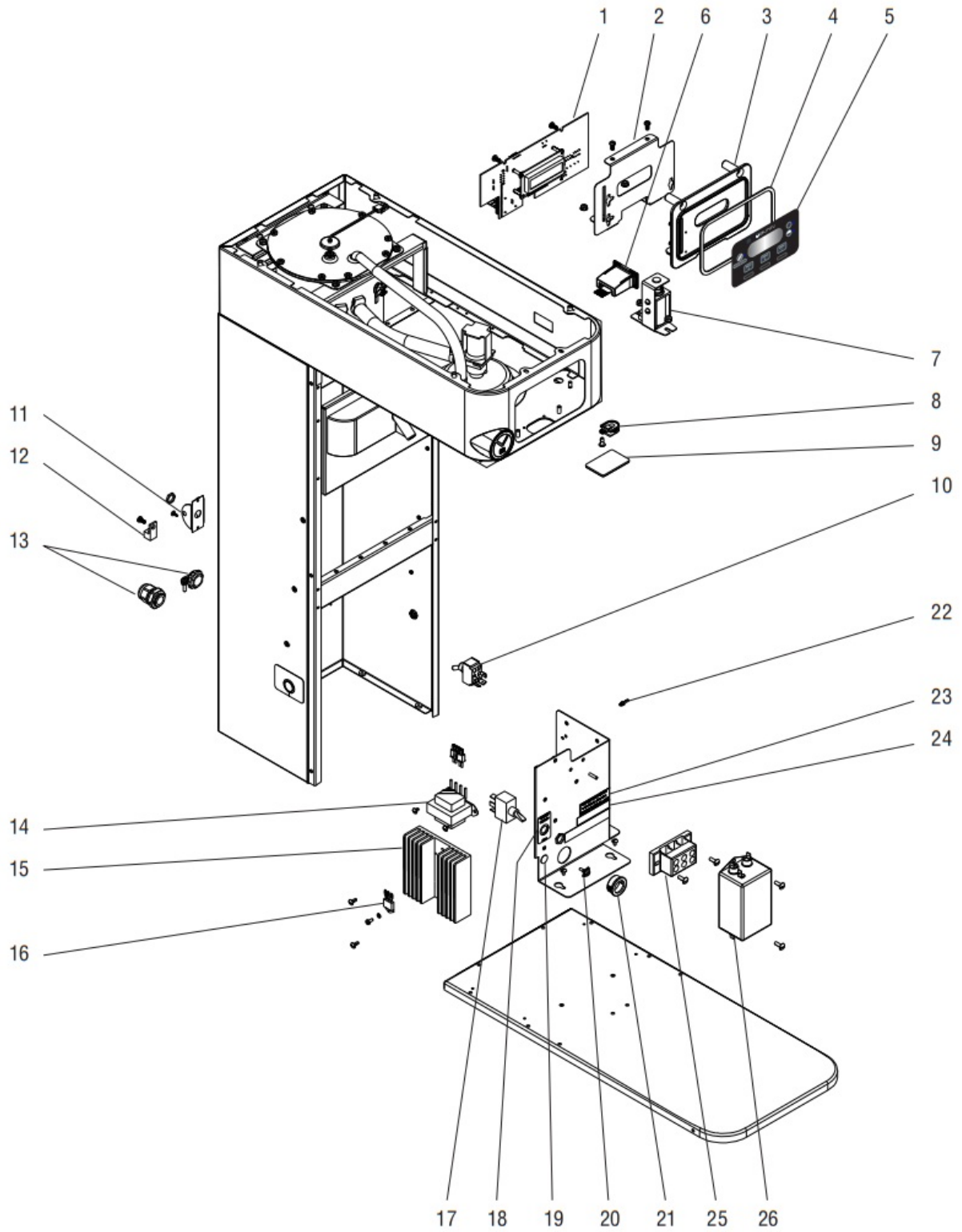
ITEM	PART NO.	QTY.	DESCRIPTION
------	----------	------	-------------

1	52887.1000	1	Circuit Board 120V
	53883.0000	1	Circuit Board 230V
	02308.0000	2	Screw, Pan Head #8-32 x .38"
2	51337.0002	1	Bracket
	02308.0000	2	Screw, Pan Head #8-32 x .38"
	00971.0000	2	Nut, Keps #10-32
3	52864.0000	1	Bezel
4	53344.0001	1	Seal
5	52904.0000	1	Membrane Switch (Regular Dispense)
	52904.0010	1	Membrane Switch (Sweet Brew Dispense)
6	48455.0001	1	USB Receptacle
7	35952.1006	1	Solenoid Assembly 120V
	35952.1007	1	Solenoid Assembly 230V
	00970.0000	2	Nut, Keps #8-32
8	32572.1000	1	Sensing Coil
	35956.0000	1	Fastener
9	52947.0001	1	Seal
10	40763.0001	1	Switch, Toggle 120V
	28004.0000	1	Switch, Toggle 230V
	23696.0000	1	Facenut
11	25102.0001	1	Bracket, Switch "I/O"
	28098.0000	1	Fastener, Snap
12	27705.0000	1	Terminal Lug (230V models only)
	02308.0000	1	Screw, Pan Head #8-32 x .38"
13	01685.0000	1	Cord Connector 120V
	05746.0000	1	Cord Connector 230V
14	34307.1001	1	Transformer 120V
	34307.1002	1	Transformer 230V
	01308.0002	2	Screw SST #6-32 x .25"
15	20541.0001	1	Heatsink
	01382.0007	2	Screw, 6-32 x .375"
16	12565.0046	1	Triac
	02328.0003	1	Screw, 6-32 x .312"

	01520.0000 M2522.1000	1 –	Lock Washer Heat Sink Compound, 5oz Tube
17	23522.1001	1	Switch, Toggle (Dual Voltage Brewers only)
18	34056.0001	1	Decal, Voltage Selection (Dual Voltage Brewers only)
19	00824.0002	1	Decal, Ground
20	37804.0000	1	Screw, Grounding #8-32 x .50"

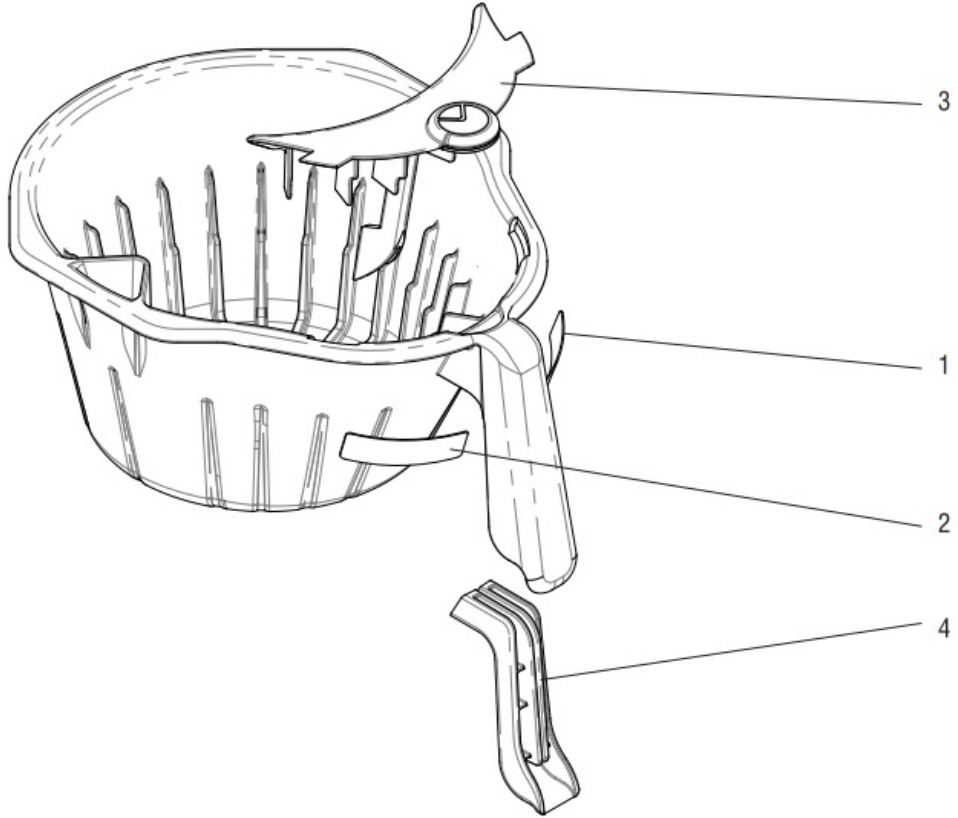


ITEM	PART NO.	QTY.	DESCRIPTION
21	01592.0000	1	Snap Bushing
22	36329.0000	1	Cable Tie
23	00985.0000	1	Decal, Individual Circuit Info
24	00870.0000	1	Decal, Use Copper Wire Only
25	07038.0000	1	Terminal Block (Dual Voltage Brewers only)
	01317.0000	2	Screw, Truss Head #8-32 x .50"
26	50159.0000	1	EMI Filter (230V CE models only)
	02308.0000	2	Screw, Pan Head #8-32 x .38"
The following items are not illustrated			
27	20630.0005	1	Power Cord 120V
	42749.0033	1	Power Cord 230V
28	38040.0016	1	Wiring Harness, Main 120V
	36677.0030	1	Wiring Harness, Main 230V
29	36675.0000	1	Wiring Harness, Sensing Coil
30	40081.0002	1	Wiring Harness, Toggle Switch to Terminal Block 120V
31	37494.0005	1	Wiring Harness, Liquid Level
32	34707.0009	1	Wiring Harness, EMI Filter 230V
33	44022.0000	1	Wiring Harness, Transformer to CBA
34	22918.0002	2	Thermal Fuse 230V



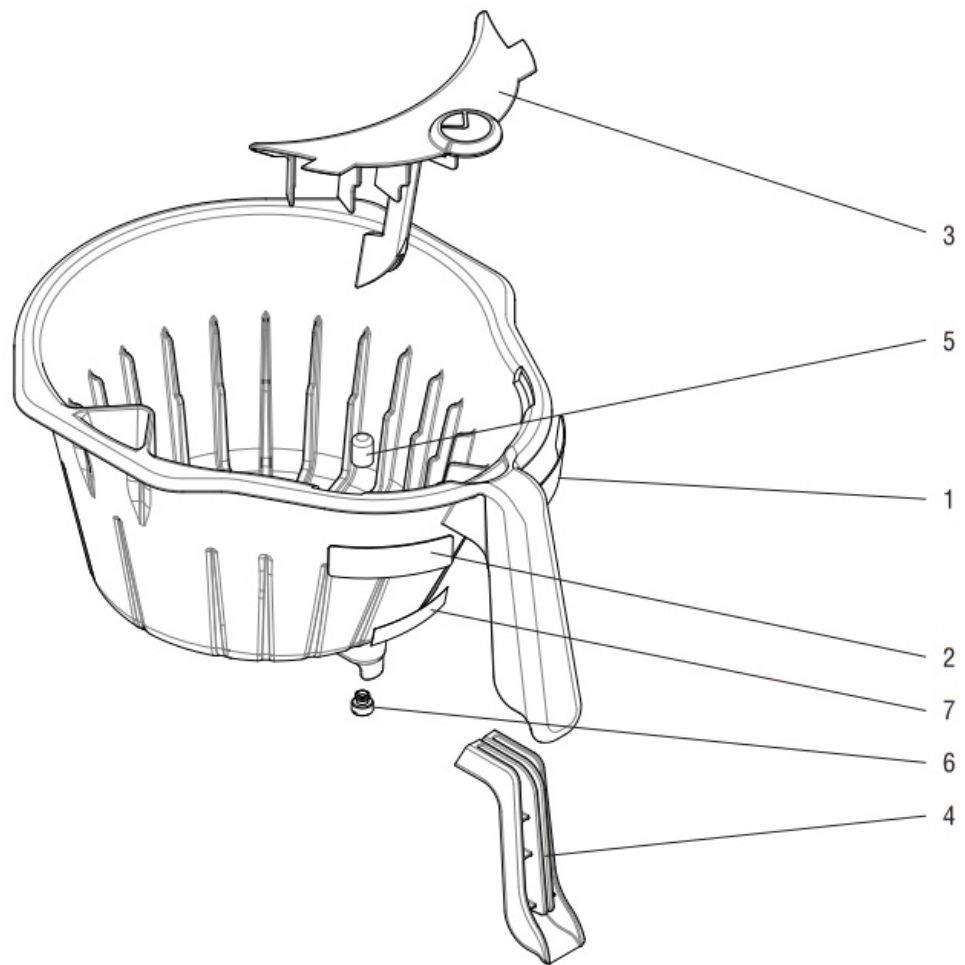
FUNNEL ASSEMBLY, COFFEE

ITEM	PART NO.	QTY.	DESCRIPTION
–	53463.0021	1	Funnel Assy, Plastic (Includes Items 1 thru 4)
1	03408.0009	1	Decal, Caution-Remove Funnel
2	03409.0007	1	Decal, Caution-Hot Liquid
3	53374.0004	1	Splash Guard
4	53544.0000	1	Insert, Funnel Handle



FUNNEL ASSEMBLY, TEA

ITEM	PART NO.	QTY.	DESCRIPTION
–	53463.0022	1	Funnel Assy, Plastic (Includes Items 1 thru 7)
1	03408.0008	1	Decal, Caution-Remove Funnel
2	03409.0006	1	Decal, Caution-Hot Liquid
3	53374.0005	1	Splash Guard
4	53544.0003	1	Insert, Funnel Handle
5	03284.0001	1	Adapter, Funnel w/Screen
6	03407.0002	1	Funnel Tip, .114"
7	03536.0001	1	Decal, Quick Brew



00600.0000..... 19	11707.1002..... 13,17, 19	34707.0009..... 23	53344.0001..... 21
00601.0000..... 19	11707.1004..... 13,17, 19	34868.0000..... 11	53374.0004..... 25
00610.0000..... .. 13,15	12422.0000..... .. 13,15	34956.0004..... 11	53374.0005..... 27
00619.0002..... 5	12422.0001..... .. 13,15	35952.1006..... 21	53463.0022..... 27
00656.0001..... 5	12422.0005..... 9,13,15	35952.1007..... 21	53463.0021..... 25
00658.0000..... 5	12422.0006..... .. 13,15	35956.0000..... 21	53544.0000..... 25
00669.0002..... 5	12422.0009..... .. 11,19	36329.0000..... 23	53544.0003..... 27
00824.0001..... 5	12565.0046..... 21	36360.1001..... 5	53619.0000..... 5
00824.0002..... 21	20203.0100..... 9	36378.0001..... .. 13,15	53869.0000..... 5
00870.0000..... 23	20541.0001..... 21	36412.0000..... 7	53869.0001..... 5
00908.0000..... 9	20621.0001..... 5	36461.0001..... 7	53870.1000..... 5
00942.0000..... 9	20630.0005..... 23	36462.0001..... 7	53883.0000..... 21
00943.0000..... 9	20976.1000..... .. 13,17	36675.0000..... 23	54897.0000..... 15
00970.0000..... 9,21	20976.1001..... .. 13,17	36677.0030..... 23	M2522.1000..... 2 1
00971.0000..... 21	20976.1002..... .. 13,17	37297.1006..... .. 13,15	
00985.0000..... 23	21275.0003..... .. 13,15	37494.0005..... 23	
00986.0000..... 5	22918.0002..... 23	37758.0002..... 19	
00991.0000..... 5,7	23522.1001..... 21	37804.0000..... 21	
01075.0000..... 11	23696.0000..... 21	37881.0000..... 5	
01268.0000..... 19	24600.0000..... 7	38040.0016..... 23	
01308.0002..... 21	25102.0001..... 21	38114.0000..... 9	

01311.0004..... 5	25137.0001..... 7	38704.1005..... 5
01315.0000..... 5	26846.0000..... 11	38969.0003..... 9,11
01317.0000..... 23	26846.0002..... 11	39085.1001..... 9
01317.0003..... 5	27705.0000..... 21	39175.0000..... 5
01382.0007..... 21	28004.0000..... 21	40081.0002..... 23
01501.0000..... 9	28098.0000..... 21	40670.1222..... 11
01520.0000..... 21	28526.1000..... 17	40752.0003..... 15
01544.0000..... 19	28526.1001..... 17	40763.0001..... 21
01592.0000..... 23	28526.1002..... 17	41595.0010..... .. 13,15
01592.0001..... 5	28614.0000..... 5	41595.0011..... .. 13,15
01685.0000..... 21	28735.0000..... 9	41761.0000..... .. 13,15
02308.0000..... 13,15 ,21,23	29007.0005..... 5	41761.0008..... .. 13,15
02328.0003..... 21	29164.0000..... 19	42507.0000..... 7
02332.0005..... 5	29165.0002..... 19	42749.0033..... 23
02363.0000..... 15	29264.0000..... 19	43920.0002..... 11
02434.1000..... 7	29279.0000..... 9	44022.0000..... 23
02712.1000..... 7	29329.1000..... 9	44079.0002..... 17
02755.1002..... 9	29485.1004..... 9	44736.1025..... 5
03260.1026..... 19	29504.0005..... 5	45313.0000..... 15
03284.0001..... 27	29710.0009..... 5	45860.1015..... 5
03407.0002..... 27	32283.0000..... .. 13,15	47355.0001..... .. 13,15


03408.0008..... 27	32572.1000..... 21	48455.0001..... 21	
03408.0009..... 25	32591.1001..... .. 11,19	50159.0000..... 23	
03409.0006..... 27	32591.1002..... .. 11,19	51315.0004..... 19	
03409.0007..... 25	32591.1003..... 19	51315.1004..... 19	
03536.0001..... 27	33651.0000..... 5	51337.0002..... 21	
04221.0000..... 9	33801.0003..... 9	51453.0000..... 5	
05037.1000..... 9	33937.0003..... 9	52112.0003..... 11	
05746.0000..... 21	33937.0004..... 9	52707.1004..... 19	
07038.0000..... 23	34056.0001..... 21	52864.0000..... 21	
07412.1002..... 9	34307.1001..... 21	52887.1000..... 21	
07412.1003..... 9	34307.1002..... 21	52896.0000..... 5	
11517.0008..... 11	34325.1000..... .. 13,17	52904.0000..... 21	
11630.0001..... .. 13,15	34325.1001..... .. 13,17	52904.0010..... 21	
11707.1001..... 1 3,17,19	34325.1002..... .. 13,17	52947.0001..... 21	53868 112918

Customer Support

BUNN-O-MATIC CORPORATION
POST OFFICE BOX 3227
SPRINGFIELD, ILLINOIS 62708-3227
PHONE: (217) 529-6601 **FAX:** (217) 529-6644
www.bunn.com



Documents / Resources

 <p>BUNN ITCB ITCB-DV New Infusion Series</p> <p>ILLUSTRATED PARTS CATALOG</p> <p>BUNN-O-MATIC CORPORATION</p>	<p>BUNN ITCB Dual Volt with Tray [pdf] Installation Guide ITCB Dual Volt with Tray, ITCB, Dual Volt with Tray, Volt with Tray, with Tray, Tray</p>
--	--

References

- [Manual-Hub.com - Free PDF manuals!](#)
- [BUNN - Bunn-O-Matic Corporation](#)
- [Manual-Hub.com - Free PDF manuals!](#)
- [User Manual](#)

Manuals+. Privacy Policy

This website is an independent publication and is neither affiliated with nor endorsed by any of the trademark owners. The "Bluetooth®" word mark and logos are registered trademarks owned by Bluetooth SIG, Inc. The "Wi-Fi®" word mark and logos are registered trademarks owned by the Wi-Fi Alliance. Any use of these marks on this website does not imply any affiliation with or endorsement.