

BEGA 85144 Performance Floodlight Instruction Manual

08.23 · Technical amendments reserved

Contents

1 85 144

1.1 Performance floodlight

1.1.1 Instructions for use

1.1.1.1 Accessories

1.1.1.2 Spares

2 Documents / Resources

2.1 References

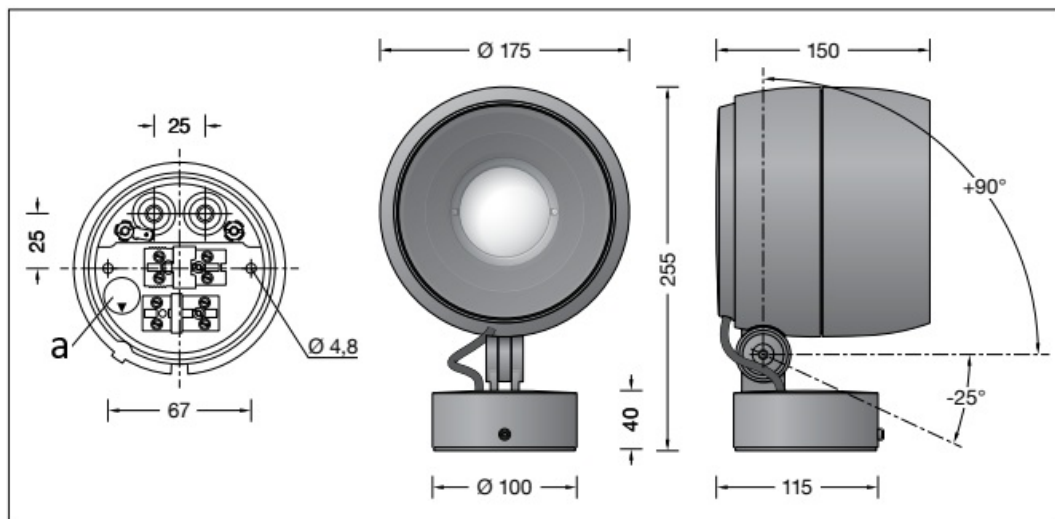
3 Related Posts

BEGA

85 144

Performance floodlight

UK
CA CE IP 65



a: bottom

Instructions for use

Application

Performance floodlight with focusable zoom optics.

Half beam angle adjustable between 14° and 59° by turning the optical lens unit.

With mounting box for permanent installation on a wall, under a ceiling or on a base.

For a variety of interior and exterior lighting applications.

Product description

Luminaire made of aluminium alloy, aluminium and stainless steel

BEGA Unidure® coating technology

Colour graphite or silver

Matt safety glass

Optical lens made of silicate glass

Rotation range of floodlight 350°

Swivel range -25°/+90°

Mounting box with 2 fixing holes

ø 4.8 mm · 67 mm spacing

2 cable entries for through-wiring of mains supply cable ø 7-10.5 mm, max. 5 G 1.5[□]

Connecting terminal 2.5[□] with plug connection

Earth conductor connection

BEGA Ultimate Driver®

Complies with flicker requirements in accordance with IEEE 1789,

DIN IEC/TR 63158, DIN IEC/TR 61547-1

LED power supply unit

220-240 V \sim 0/50-60 Hz

DC 176-264 V

DALI-controllable

Number of DALI addresses: 1

Basic insulation is provided between the mains and control cables

BEGA Thermal Control®

Temporary thermal regulation to protect temperature-sensitive components without switching off the luminaire

Safety class I

Protection class IP 65

Dust-tight and protection against water jets

Impact strength IK08

Protection against mechanical impacts < 5 joule

CE - Conformity mark

Wind catching area: 0.031 m²

Weight: 3.0 kg

This product contains light sources of energy efficiency class(es) E

Overvoltage protection

The electronic components installed in the luminaire are protected against overvoltage in accordance with DIN EN 61547.

To achieve an additional protection against e. g. transients, etc. we recommend separate overvoltage protection components. You can find them on our website at www.bega.com.

The ideal protection of all electronic components installed in the luminaires is achieved by using bounce-free switching contacts such as an electronic relay (solid-state relay), e.g. BEGA 71 320.

Safety

The installation and operation of this luminaire are subject to national safety regulations. Installation and commissioning may only be carried out by a qualified electrician. The manufacturer accepts no liability for damage caused by improper use or installation. If subsequent modifications are made to the luminaire, the person responsible for these modifications shall be considered the manufacturer.

Installation

LED are high-quality electronic components! Please avoid touching the light output opening of the LED directly during installation or relamping.

Undo hexagon socket head screw (wrench size 3 mm) up to the stop and disassemble the mounting plate.

Pass the power connecting cable through the cable entry in the mounting plate.

Note position of application of the mounting plate "arrow down".

Fix the mounting plate with enclosed or any other suitable fixing material onto the mounting surface.

Be sure to use the gasket rings supplied.


Make earth conductor connection.

Push silicone sleeves over the lines and make electrical connection to terminal (plug connection).

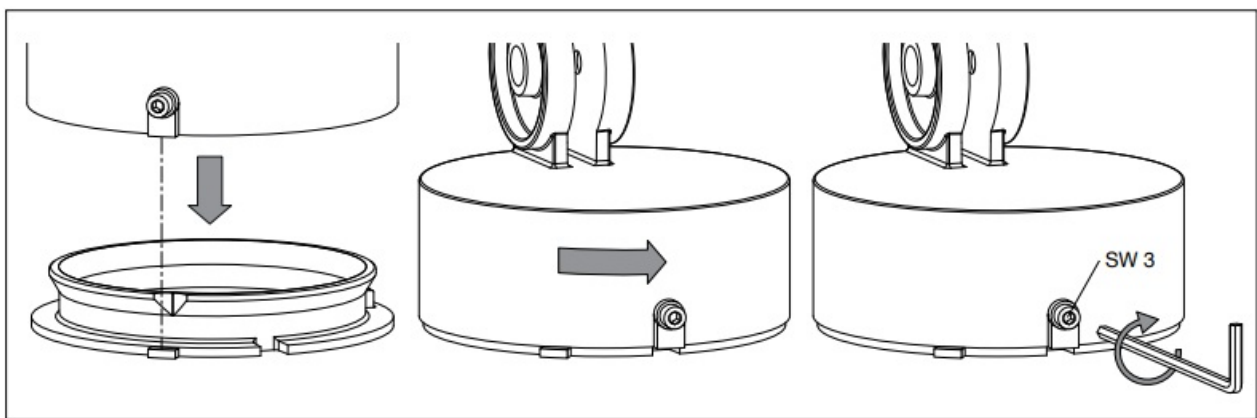
For digital control please use the 2-pole plug connector DA, DA.

In case this connector is not used the luminaire will be operated at full light output.

Push plug into coupler as far as it will go.

Connect the floodlight unit's green and yellow protective earth conductor to the terminal marked  in the mounting plate.

Make sure that gasket is positioned correctly.



Place floodlight unit onto the mounting plate as displayed in the sketch, align and screw together firmly.

Adjustment of beam direction:

Undo joint screw (hexagon socket head wrench size 5 mm) and set the desired beam direction.

Tighten the joint screw.

Torque = 7 Nm.

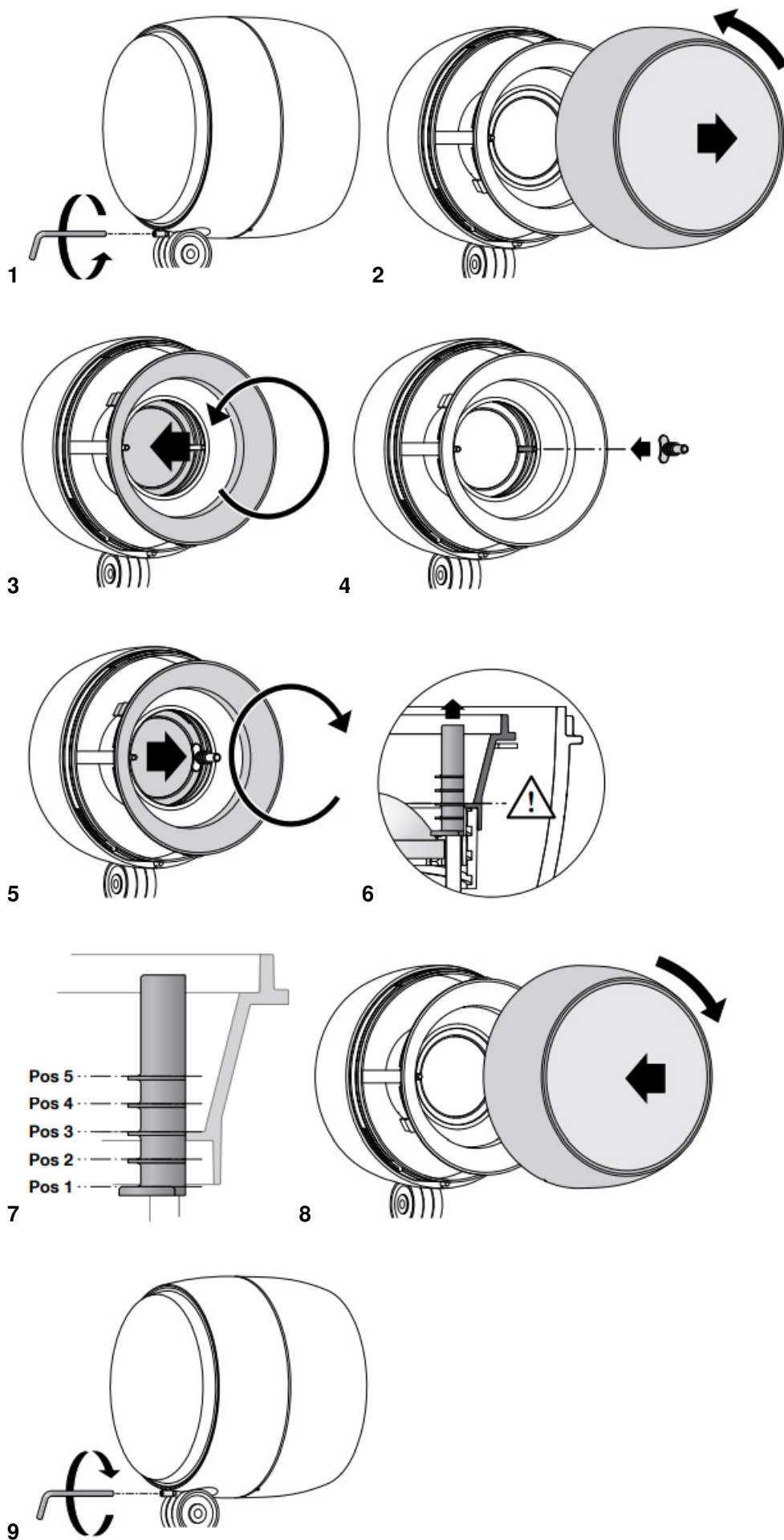
Maintenance

The connecting cable between mounting box and floodlight has to be inspected regarding obvious damages and has to be replaced by a qualified electrician only.

Cleaning · Maintenance

Clean luminaire regularly with solvent-free cleansers from dirt and deposits. Do not use high pressure cleaners.

Adjusting the half beam angle



Loosen the locking pin (hexagon socket wrench SW 2.5) on the back of the floodlight housing. Remove the trim ring along with the safety glass by twisting it anti-clockwise. The half beam angle can be adjusted between 14° and 59° by turning the optical lens unit.

Turn clockwise to decrease the half beam angle; anti-clockwise to increase it.

The enclosed grey adjustment aid is used for simplified adjustment of the desired half beam angle (pos. 1-5), especially for uniform adjustment of luminaires that are mounted in a line.

To do this, turn the optical lens unit counterclockwise as far as it will go. Place the adjustment aid on the cylindrical pin as shown in the sketch and press it all the way down.

Turn the lens unit clockwise to the desired position (see table).

Pos.	β	K3	K4
1	14°	1388 lm	1409 lm
2	18°	1811 lm	1839 lm
3	24°	2179 lm	2213 lm
4	42°	2545 lm	2584 lm
5	59°	2722 lm	2764 lm

Planning data for the corresponding half beam angles are available for download on our website.

Remove the adjustment aid from the housing and retain.

Place the trim ring with glass on the floodlight housing so that the notches in the trim ring and luminaire housing sit on top of each other. Twist on the trim ring clockwise as far as the stop. Screw in the locking pin (hexagon socket wrench SW 2.5) on the back of the floodlight housing.

Lamp

Module connected wattage	37.5 W
Luminaire connected wattage	40.5 W
Rated temperature	$t_a = 25\text{ °C}$
Ambient temperature	$t_{a\text{ max}} = 25\text{ °C}$

85 144 K3

Module designation	LED-0800/930
Colour temperature	3000 K
Colour rendering index	CRI > 90
Module luminous flux	4855 lm
Luminaire luminous flux	2722 lm
Luminaire luminous efficiency	67,2 lm / W

85 144 K4

Module designation	LED-0800/940
Colour temperature	4000 K
Colour rendering index	CRI > 90
Module luminous flux	4930 lm
Luminaire luminous flux	2764 lm
Luminaire luminous efficiency	68,2 lm / W

Please note:

Do not remove the desiccant bag from the luminaire housing.

It is needed to remove residual moisture.

Replacing the LED module

The designation of the LED module is noted on a separate label in the luminaire or on the underside of the specific LED module.

The light colour and light output of BEGA replacement modules correspond to those of the modules originally

fitted. The module can be replaced by qualified persons using standard tools.

Disconnect the system.

Open the floodlight:

Undo locking pin (hexagon socket head wrench size 2.5 mm) on the back side of the floodlight housing.

Remove the trim ring along with the safety glass and reflector by twisting it counterclockwise.

Replace LED module.

Please follow the installation instructions for the LED module.

Inspect and, if necessary, replace the luminaire gaskets.

Defective glass must be replaced.

Place trim ring with glass and reflector on the floodlight housing in such a way that the notches in the trim ring and floodlight housing align on top to each other.

Twist on the trim ring clockwise as far as the stop. Tighten locking pin.

Accessories

71 291 Optical filter flat beam

71 333 Shield

71 338 Cylindrical shield

For the accessories a separate instructions for use can be provided upon request.

Spares

Trim ring graphite with glass	25 000 283
Trim ring silver with glass	25 000 284
LED power supply unit	DEV-0270/1050i
LED module 3000 K	LED-0800/930
LED module 4000 K	LED-0800/940
Lens unit	75 005 146
Gasket housing	83 001 579
Gasket mounting box	83 001 839
Gasket trim ring	83 002 306

BEGA Gantenbrink-Leuchten KG • Postfach 31 60 • 58689 Menden • info@bega.com • www.bega.com

Documents / Resources



[BEGA 85144 Performance Floodlight](#) [pdf] Instruction Manual
85144, 85144 Performance Floodlight, Performance Floodlight, Floodlight

References

- ^{BEGA} [BEGA · Das gute Licht.](#)
- [User Manual](#)

Manuals+, [Privacy Policy](#)

This website is an independent publication and is neither affiliated with nor endorsed by any of the trademark owners. The "Bluetooth®" word mark and logos are registered trademarks owned by Bluetooth SIG, Inc. The "Wi-Fi®" word mark and logos are registered trademarks owned by the Wi-Fi Alliance. Any use of these marks on this website does not imply any affiliation with or endorsement.