



AUTEL MaxiSys MS906 Pro-TS Diagnostic and TPMS Tablet User Guide

[Home](#) » [AUTEL](#) » AUTEL MaxiSys MS906 Pro-TS Diagnostic and TPMS Tablet User Guide 

Contents

- [1 AUTEL MaxiSys MS906 Pro-TS Diagnostic and TPMS Tablet](#)
- [2 @ MaxiSys MS906 Pro-TS Display Tablet](#)
- [3 @ VCI \(Vehicle Communication Interface\) Device – MaxiVCI V200](#)
- [4 VCI LED Description](#)
- [5 HOW TO USE](#)
- [6 Documents / Resources](#)
- [7 Related Posts](#)

AUTEL®

AUTEL MaxiSys MS906 Pro-TS Diagnostic and TPMS Tablet

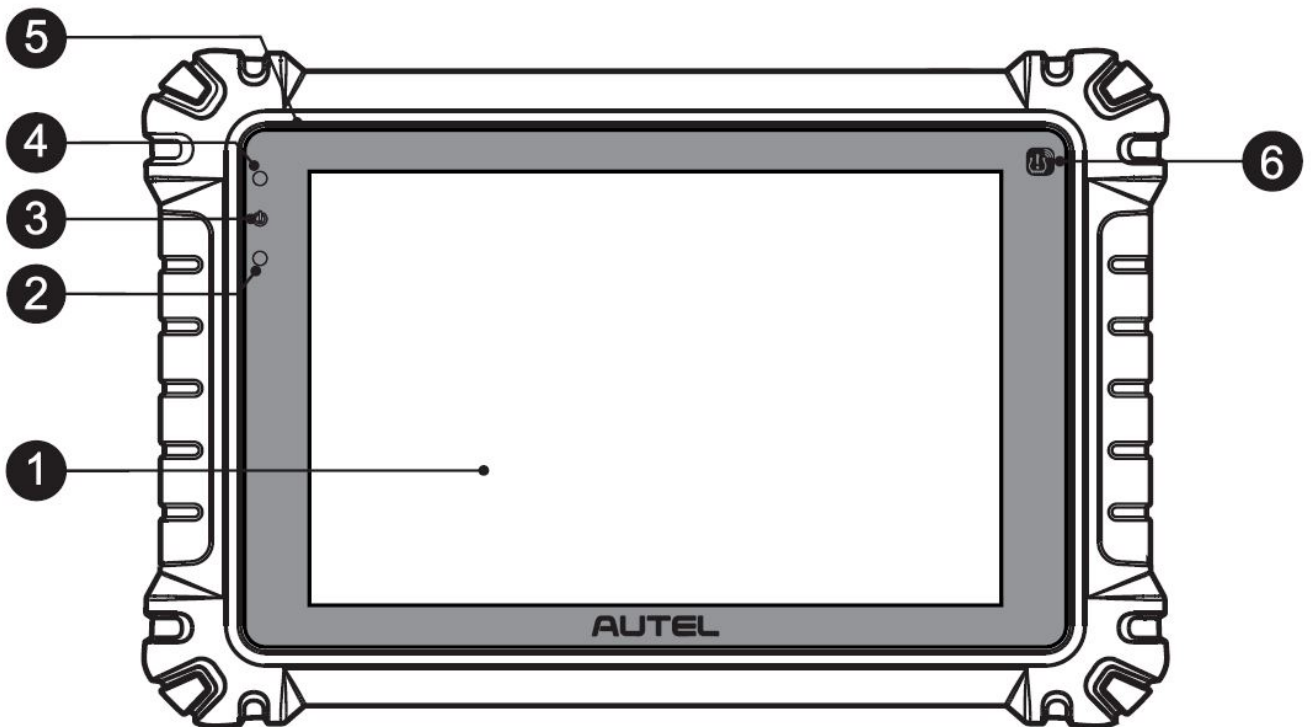


Thank you for purchasing this Autel MaxiSys MS906 Pro-TS. Our tools are manufactured to a high standard and – when used according to these instructions and properly maintained – will provide years of trouble-free performance.

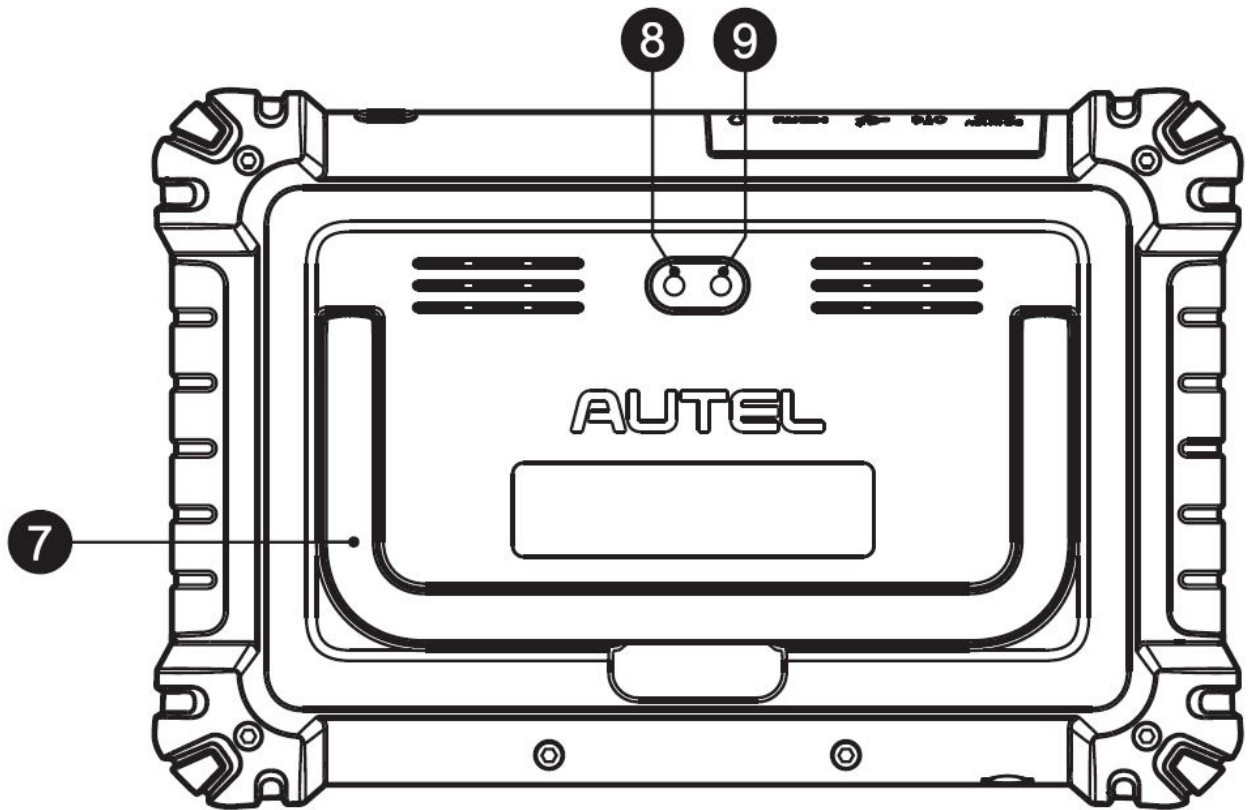
@ MaxiSys MS906 Pro-TS Display Tablet

1. 8-inch LED Capacitive Touchscreen
2. Ambient Light Sensor – detects ambient brightness
3. Power LED
4. Front Camera
5. Microphone
6. TPMS Service Symbol – indicates the position of the embedded

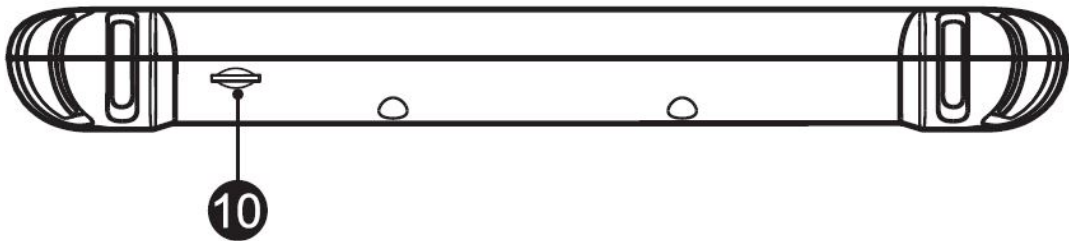
TPMS antenna



7. Collapsible Stand – extends from the back to allow hands-free viewing of the tablet
8. Rear Camera
9. Camera Flash



10. TF Card Slot



11. DC Power Supply Input Port

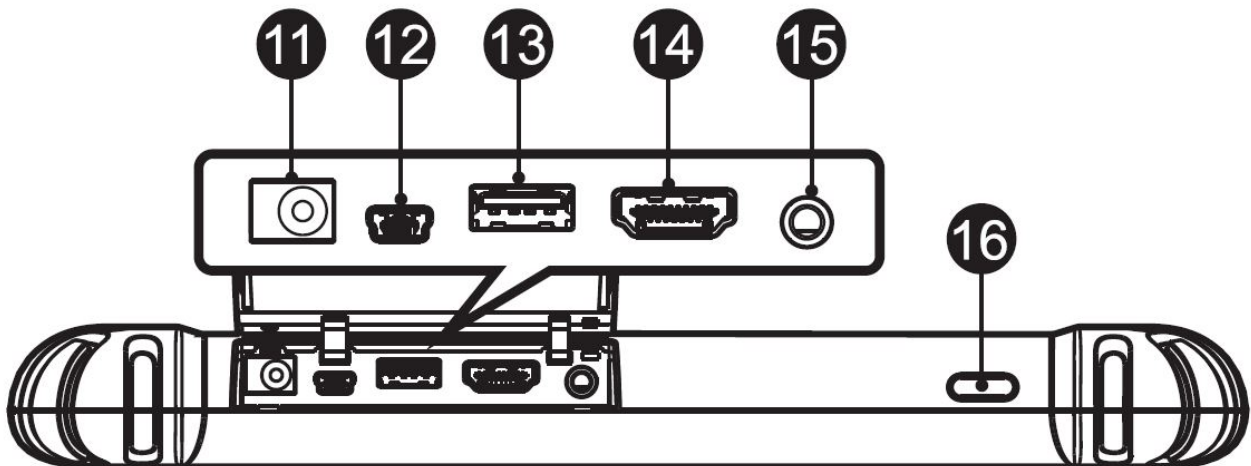
12. Mini USB Port

13. USB Port (for VCI Connection)

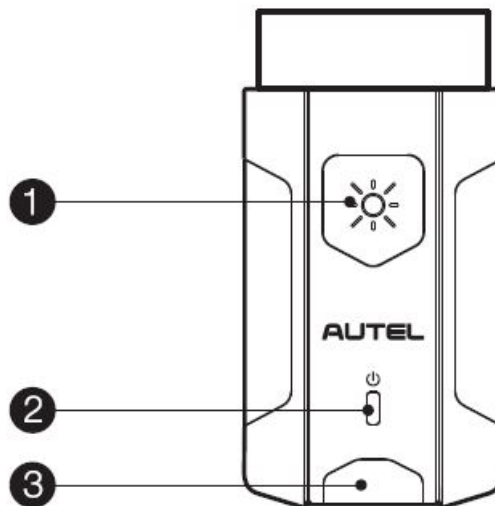
14. HDMI Port

15. Headset Jack (3-band 3.5mm)

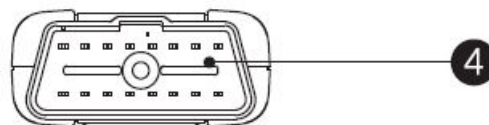
16. Lock/Power Button – press and hold to turn on/off the tablet, or tap to lock the screen



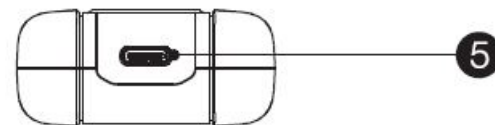
1. Flashlight Power Button
2. Power LED
3. Vehicle/Connection LED



4. Vehicle Data Connector (16-pin)



5. USB Port



VCI LED Description

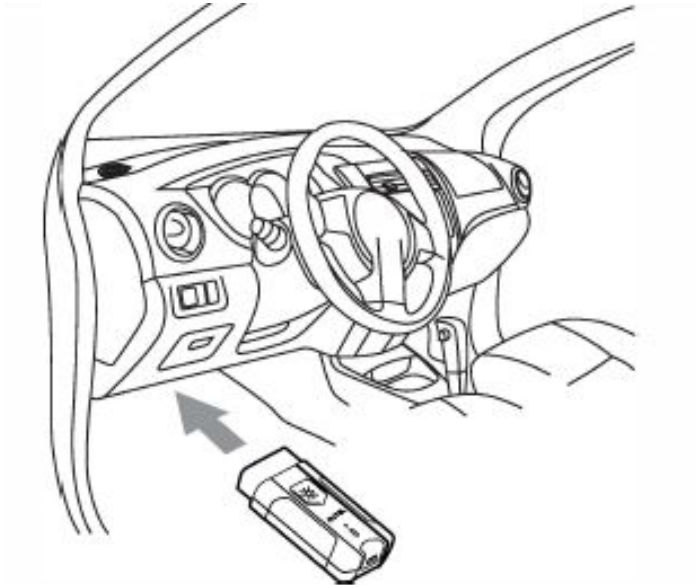
LED	Color	Description
Power LED	Yellow	The VCI is powered on and performing self-check.
	Green	The VCI is ready for use.
	Flashing Red	The firmware is updating.
Vehicle /Connection LED	Green	<ul style="list-style-type: none"> • Solid Green: The VCI is connected via USB cable. • Flashing Green: The VCI is communicating via USB cable.
	Blue	<ul style="list-style-type: none"> • Solid Blue: The VCI is connected via Bluetooth. • Flashing Blue: The VCI is communicating via Bluetooth.

IMPORTANT: Before operating or maintaining this unit, please read these instructions carefully, paying extra attention to the safety warnings and precautions. Failure to use this product properly may cause damage and/or personal injury and will void the product warranty.

HOW TO USE

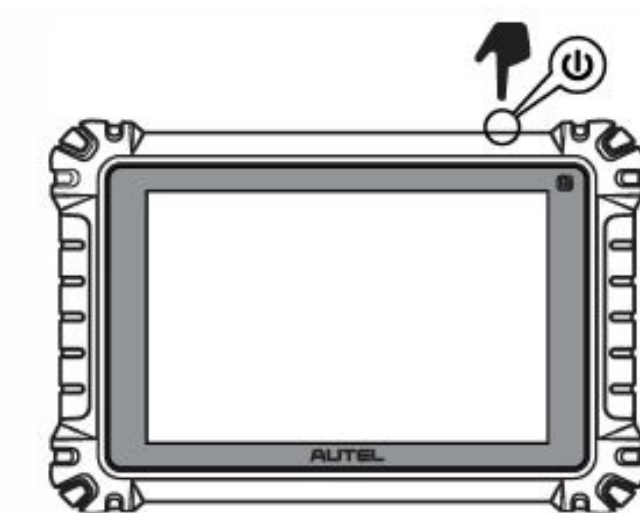
STEP 1

Insert the Vehicle Data Connector on the MaxiVCI V200 into the vehicle's DLC, which is generally located under the vehicle dashboard.



STEP 2

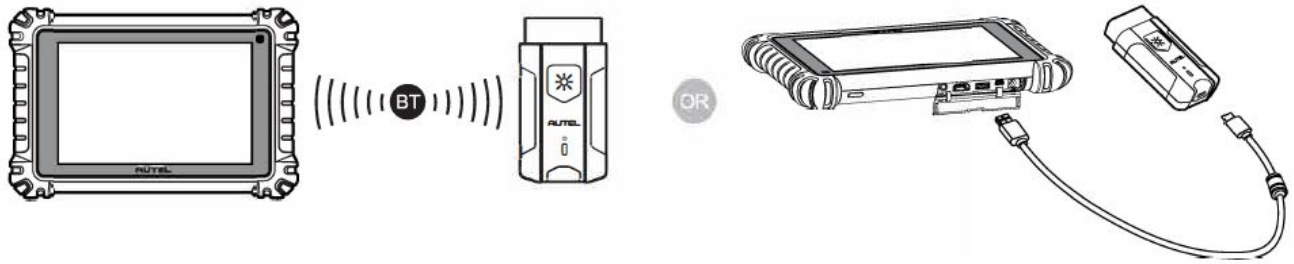
Ensure the tablet is sufficiently charged or is connected to the supplied DC power supply. Power up the tablet.



STEP 3

Pair the tablet with the MaxiVCI V200 via Bluetooth to establish a communication link.

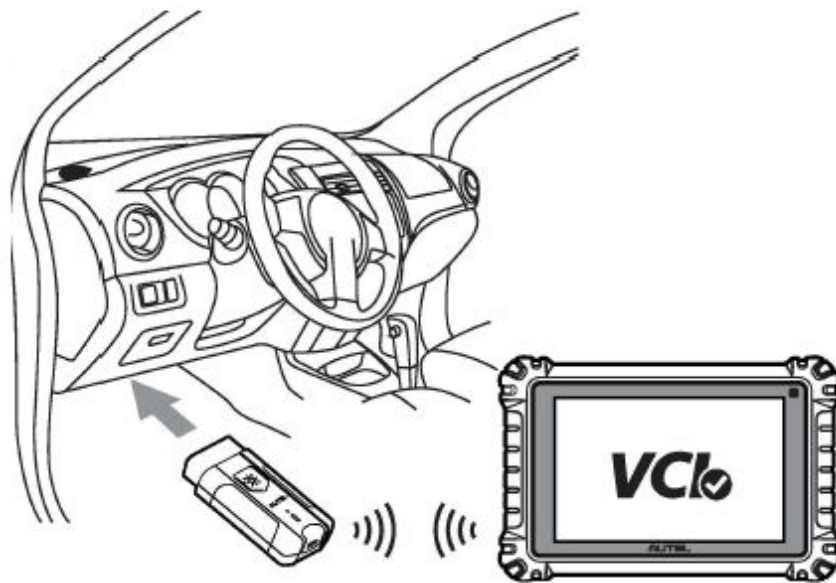
NOTE: The tablet and the MaxiVCI V200 are configured to automatically synchronize with each other on first use, so there should be no need to pair up.



Alternatively, connect the tablet and the MaxiVCI V200 using the USB cable.

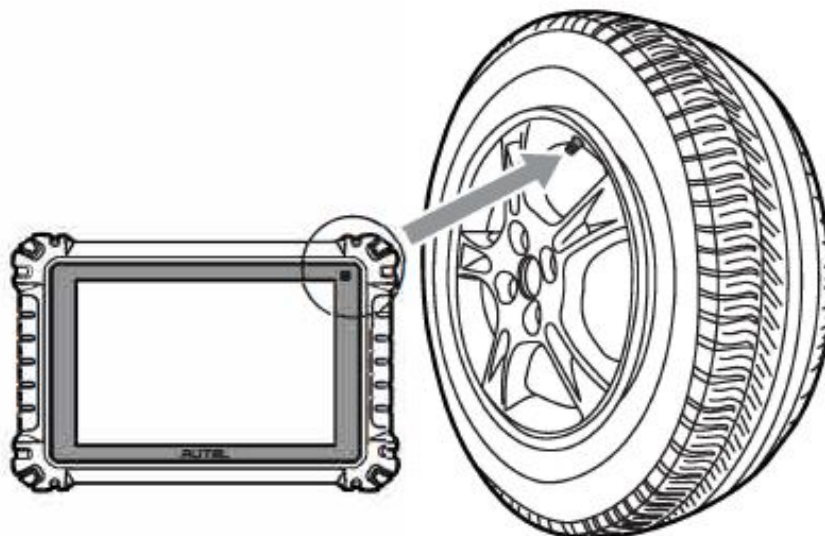
STEP 4

When the MaxiVCI V200 is properly connected to the vehicle and the tablet, the VCI status button on the bottom bar of the screen will display a green badge with a check mark at the corner indicating the tablet is ready to start vehicle diagnosis.

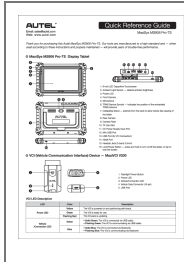


STEP 5

Hold the MaxiSys MS906 Pro-TS tablet with its top right corner close to the tire sidewall at the valve stem to activate the TPMS sensor.



Documents / Resources



[AUTEL MaxiSys MS906 Pro-TS Diagnostic and TPMS Tablet \[pdf\]](#) User Guide
MaxiSys MS906, Pro-TS Diagnostic and TPMS Tablet

[Manuals+](#)