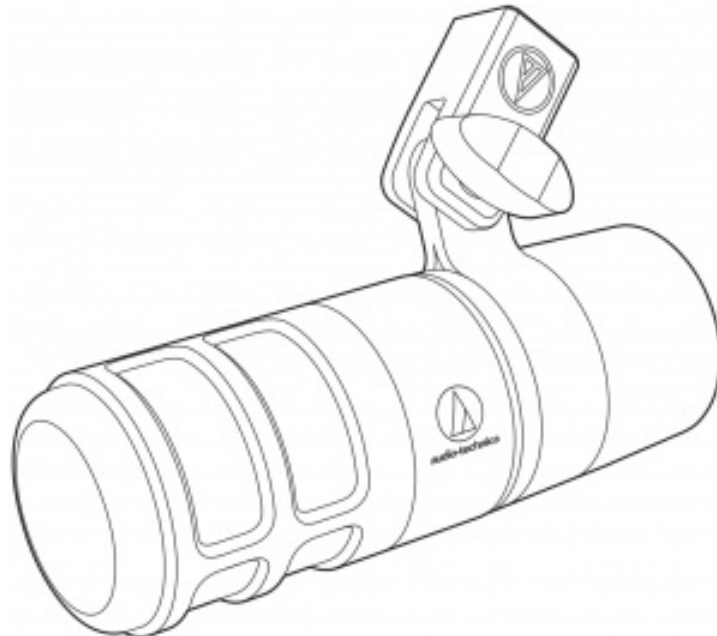


Audio-Technica AT2040 Hypercardioid Dynamic Microphone User Manual

[Home](#) » [Audio-Technica](#) » **Audio-Technica AT2040 Hypercardioid Dynamic Microphone User Manual** 

Audio-Technica AT2040 Hypercardioid Dynamic Microphone



Thank you for purchasing this product. Before using the product, read through the user manual to ensure that you will use the product correctly. Please keep this manual for future reference

Contents

1 Safety precaution

1.1 Cautions for the product

2 Notes on use

3 Using the product

4 Output terminals

5 Specifications

6 Documents / Resources

7 Related Posts

Safety precaution

Although this product was designed to be used safely, failing to use it correctly may result in an accident. To ensure safety, observe all warnings and cautions while using the product.

Cautions for the product

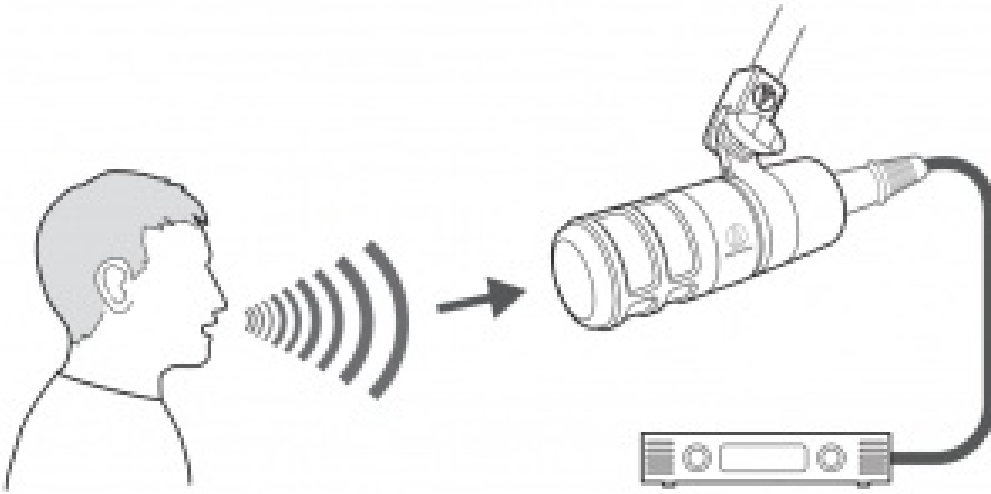
- Do not subject the product to strong impact to avoid malfunction.
- Do not disassemble, modify or attempt to repair the product.
- Do not handle the product with wet hands to avoid electric shock or injury.
- Do not store the product under direct sunlight, near heating devices or in a hot, humid or dusty place.
- Do not place the product on an unstable surface to avoid injury or malfunction due to falling or the like

Notes on use

- Be sure to read the connected device's user manual before use.
- When the product is used for a long time, the product may become discolored due to ultraviolet light (especially direct sunlight) and wear.
- Make sure to hold the plug when connecting and disconnecting the cable. The cable may become severed or an accident may occur if you pull on the cable itself.
- When using the cable, be careful not to twist it to prevent damage to the cable.
- Do not wind the cable at the base of the plug to prevent a disconnection.
- When plugging the cable into the microphone and the connected device, check that the connector is facing in the correct direction before inserting it straight. Inserting the connector or plug diagonally may cause a malfunction.
- For important recordings, perform a trial recording beforehand to make sure that the sound is recorded correctly.
- Audio-Technica will not be liable in any way for any loss or damage to software or data connected to the product.

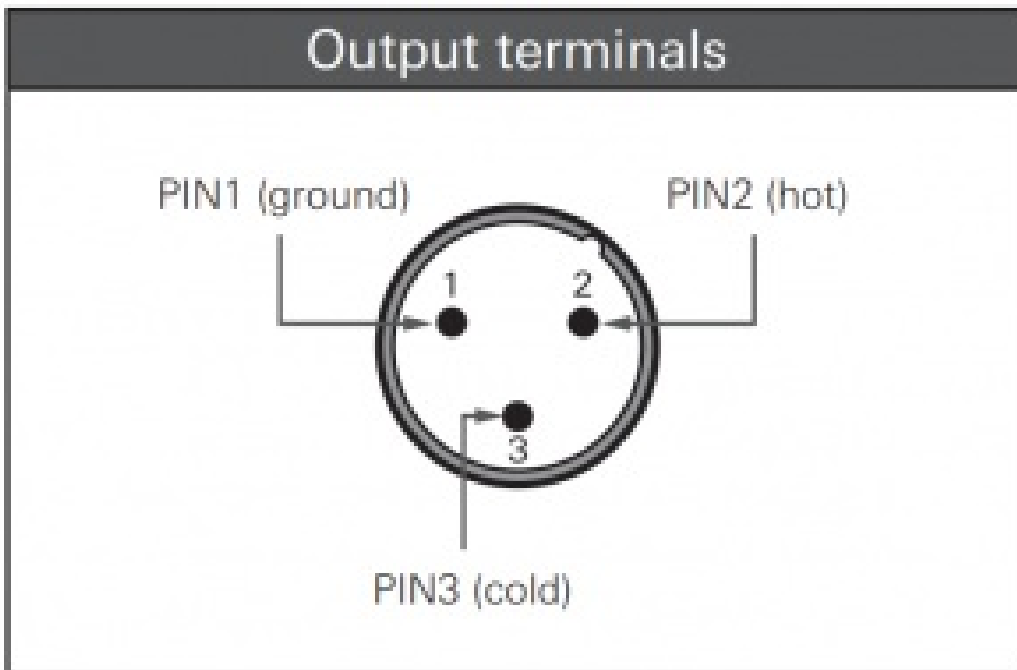
Using the product

1. Connect the product to a device that has a microphone input (balanced input).
2. Use the product, positioning the front of the microphone toward the sound source



Output terminals

The output connector is an XLR-M type with polarity as shown in the figure below



Specifications

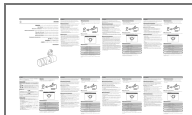
Polar pattern	Hypercardioid
Frequency response	80-16,000 Hz
Open circuit sensitivity	-53 dB (2.2 mV) (0 dB=1 V/Pa, 1 kHz)
Impedance	600 ohms
Weight	615 g (21.7 oz)
Dimension	145.3 mm (5.72") long, 52 mm (2.05") maximum body diameter
Output connector	Integral 3-pin XLR-M type
included accessories	AT8487 mounting clamp, 5/8"-27 to 3/8"-16 threaded adapter, Pouch

- 1 Pascal = 10 dynes/cm² = 10 microbars = 94 dB SPL

For product improvement, the product is subject to modification without notice



Documents / Resources



[Audio-Technica AT2040 Hypercardioid Dynamic Microphone](#) [pdf] User Manual
AT2040, Hypercardioid Dynamic Microphone