

# aTli ATL3500 Security Camera Instruction Manual

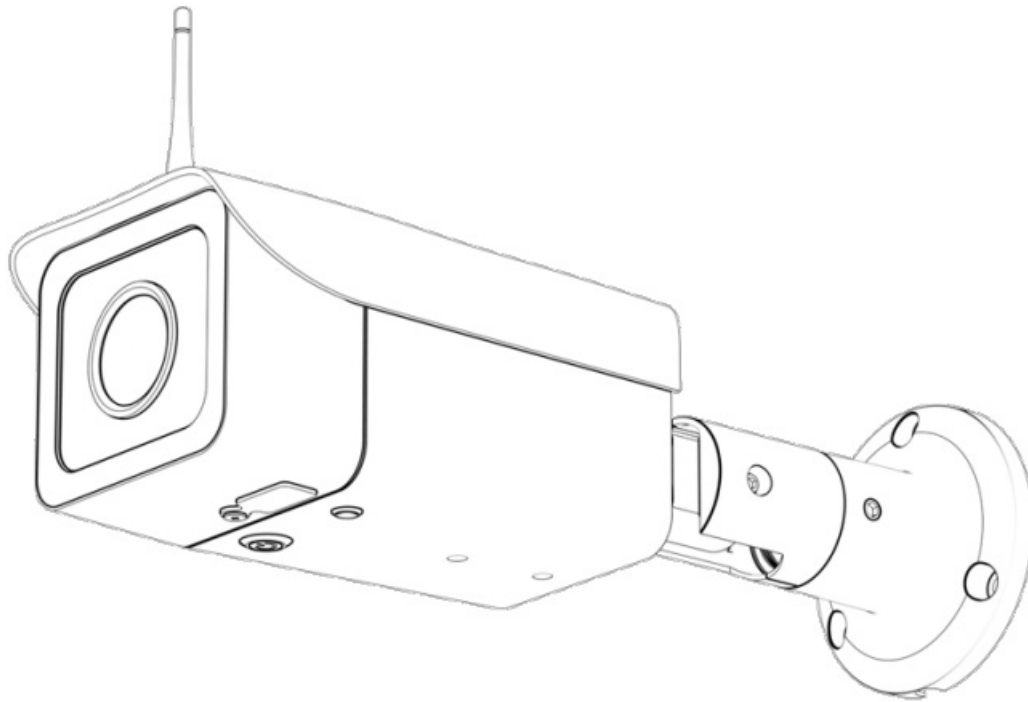
[Home](#) » [ATLI](#) » aTli ATL3500 Security Camera Instruction Manual 

## Contents

- [1 aTli ATL3500 Security Camera](#)
- [2 Product Information](#)
- [3 Product Introduction](#)
- [4 Product Usage Instructions](#)
- [5 Antenna Installation](#)
  - [5.1 Option 1: Wall Mount Installation](#)
- [6 FAQ](#)
- [7 Safety Precautions and Warnings](#)
- [8 Product Introduction](#)
- [9 Product Parts](#)
- [10 Installation](#)
- [11 Quick Start](#)
- [12 Troubleshooting](#)
- [13 Specification](#)
- [14 Warranty](#)
- [15 FCC WARNING](#)
- [16 Documents / Resources](#)
  - [16.1 References](#)

# ATLi<sup>®</sup>

**aTli ATL3500 Security Camera**



## Product Information

### Specifications

- Camera Type: Outdoor time-lapse camera
- Resolution: 1080p video recording
- Housing: Aircraft-grade aluminium alloy
- Weatherproof Rating: IP65
- Wireless Connectivity: Wi-Fi

### Product Introduction

The ATL3500 is a durable and versatile camera designed for long-term outdoor time-lapse capturing and 1080p video recording. It features a robust aircraft-grade aluminium alloy housing with an IP65 weatherproof rating, making it suitable for use in harsh weather conditions. This camera is ideal for outdoor construction projects, nature observation, and scenic exploration.

The ATL3500 can be operated via the ATLI Cam App, allowing easy configuration for individual use or network connectivity through a Wi-Fi connection. It offers seamless setup, previewing, and exporting of footage through a smartphone or web browser on a PC.

### Product Usage Instructions

#### Step 1: Download ATLI Cam App

Please download and install the ATLI Cam app from the App Store or Google Play before using the product. You can either scan the QR code or search for "ATLI Cam" to find and install the app.

Step 2: Installation

#### Antenna Installation

1. Locate the antenna (B) and the camera (A).
2. Assemble the antenna to the camera by turning it clockwise against its base mount until tightened.

**Camera Installation**The camera offers two options for installation. Before proceeding, ensure that the mounting environment can support a minimum of four times the weight of the camera.

#### **Option 1: Wall Mount Installation**

1. Locate the wall mount (C), screws (C), and wall plugs (D).
2. Choose a suitable location for the camera.
3. Use the screws and wall plugs to secure the wall mount to the desired location.
4. Attach the camera to the wall mount using the 6M thread mounting points (G).

#### **Option 2: Other Mounting Methods**

If you prefer to use alternative mounting methods, ensure that they can safely support the weight of the camera and provide secure positioning.

### **FAQ**

#### **Q: Is the ATL3500 waterproof?**

A: No, the ATL3500 is not waterproof. It is designed to be weatherproof within the IP65 standard, which means it can withstand dust and low-pressure water jets, but it should not be submerged in water.

#### **Q: How do I clean the protective glass in front of the lens?**

A: To clean dust or dirt on the protective glass, you can use an air blower or a microfiber cloth. Avoid using harsh chemicals or abrasive materials that may damage the lens.

#### **Q: What should I do if there is a problem with the camera?**

A: If you encounter any issues with the camera, please contact us via email at [service@atlview.com](mailto:service@atlview.com) for assistance.

This instruction introduces how to perform basic operation and installation.

For more information on how to control the camera via app, refer to the Operating Instruction "App Control".

### **Welcome To Use**

Thank you for purchasing ATL3500.

- Please read this user manual before using the camera for properly usage.
- Please read and understand the Safety Precautions and Warnings in user manual before using the camera.
- Please keep the user manual after reading for further reference.

### **Important Note**

To keep your ATL3500 optimized and getting the latest new features, update the camera with the latest firmware when the App prompts "New Firmware Available" and follow the onscreen procedures.

## **Safety Precautions and Warnings**

- Before using the product ensure that you read the safety precautions described below. Always ensure that the product is used correctly.
- The safety precautions noted here are intended to prevent you and other persons from being injured or incurring property damage.

## **Installation**

- Please handle the device with care & don't drop it . Keep the device clean and free from dirt.
- Please do not apply power to the camera before completing installation. Do not place objects on top of the camera.

## **Electrical Safety**

- All installation and operation should conform to your local electrical safety codes.
- We assume no liability or responsibility for any fires or electrical shock caused by improper handling or installation.

## **Transportation Security**

Heavy stress, violent vibrations, and excess moisture should not occur during transportation, storage, and installation of the device.

## **Repair Professionals**

- Do not disassemble the camera as this will void the warranty . We are not liable for any problems caused by unauthorized modifications or user-attempted repair.
- Please contact us via email [service@atliview.com](mailto:service@atliview.com) should there is a problem.

## **Environment**

- Working temperature of the camera is 0 °C to 50 °C.
- Avoid aiming the camera directly to the sun, as it may cause overexposure of the picture, and may affect the longevity of the camera's sensors.
- Although the camera is designed and manufactured to work in outdoor environments, install the camera under a roof or shelter will bring extra benefits to the quality of the time lapse footage.

## **Operation and Maintenance**

- The camera is designed and manufactured for weather-proof within IP65 standard.
- This product is not waterproof and shall not be used under water.
- To clean dust or dirt on the protective glass in front of the lens occasionally, use an air blower or a microfiber cloth.

## Product Introduction

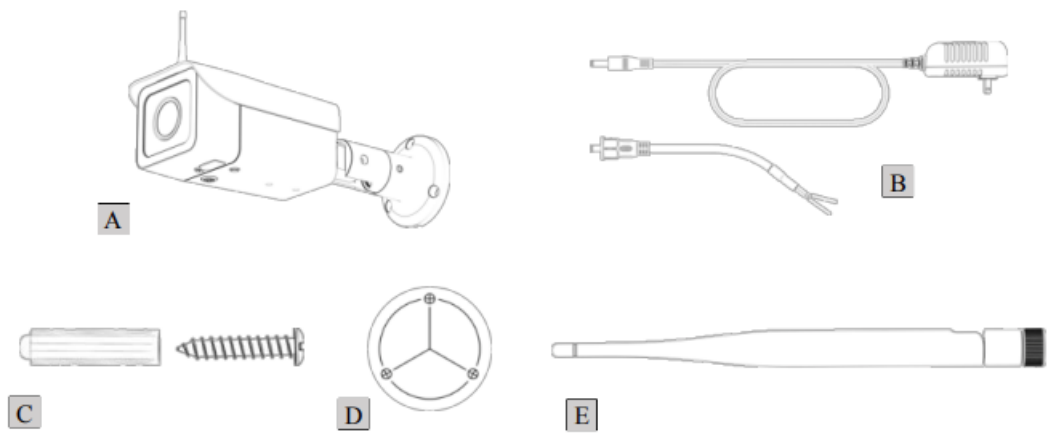
### Overview

Introducing the ATL3500 – a durable and versatile camera designed for long-term outdoor time-lapse capturing and 1080p video recording. With its robust aircraft-grade aluminium alloy housing and IP65 rating, this camera is capable of withstanding even the harshest of weather conditions, making it the perfect choice for outdoor construction projects, nature observation, and scenic exploration. With the ability to be operated via the ATLI Cam App, the ATL3500 can be easily configured to work individually or on a network through a Wi-Fi connection. Setting up, previewing, and exporting footage can be done effortlessly through a smartphone or web browser on a PC.

### Download ATLI Cam App

Please download and install ATLI Cam app before using the product. Scan QR code or search for ATLI Cam on App Store or Google Play.

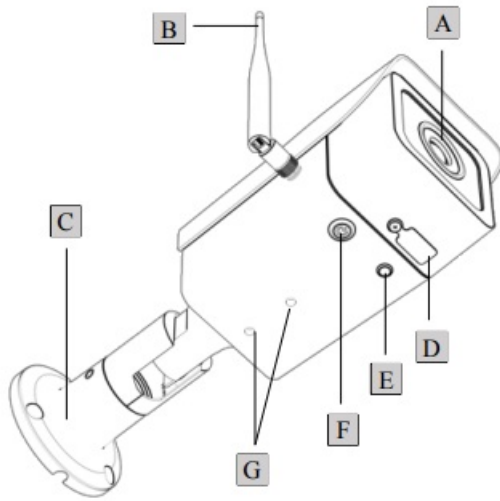
### Package List



A	ATL3500	B	Power Adaptor & Extension cable	C	Screw*3 & wall plug*3
D	Installation Position Sticker	E	Antenna		

### Product Parts

#### Camera Parts Name

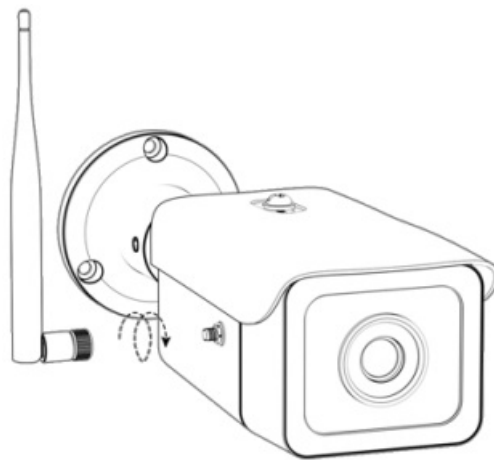


A	Lens	E	Battery Indicator
B	Antenna	F	Power Button
C	Wall Mount	G	6M Thread Mounting Points
D	Storage Card Slot		

## Installation

### Antenna Installation

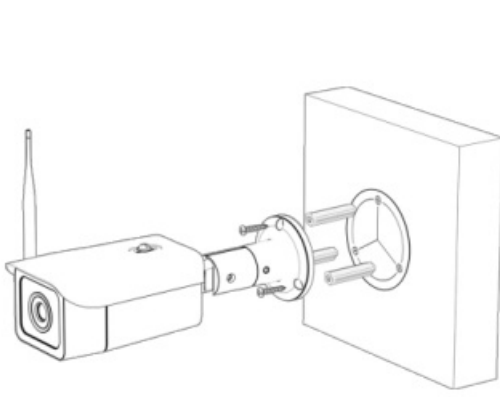
Assemble the antenna to the camera by turning in clockwise against its base mount until tightened.



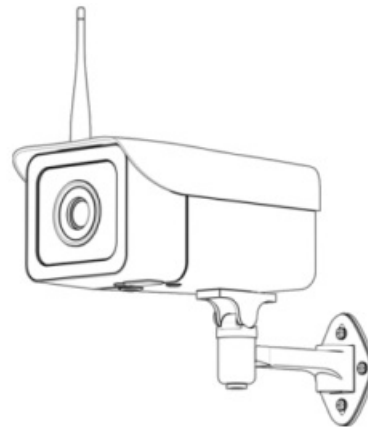
### Camera Installation

The camera offers two options for installation.

Prior to installation, ensure the environment in which the camera will be mounted can bear a minimum of four times the weight of the camera.



- Mount to a wall

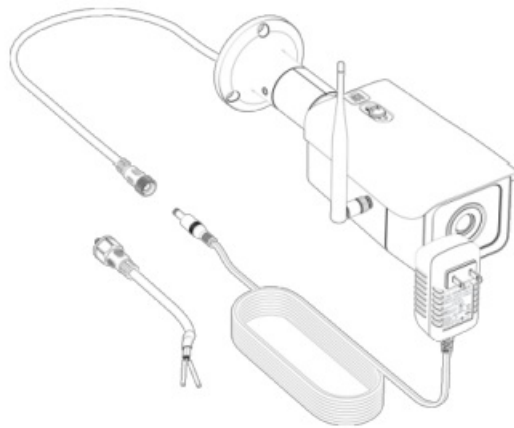


- Attach to a mounting clamp

### Power

The power adaptor for this camera is limited to 12V/1A or 12V/2A only. Use the power adaptor that is provided within the package.

**CAUTION:** Do not connect 110-230V AC power directly to the terminals of the extension cable. It will blow up the camera's circuit instantly, and void the



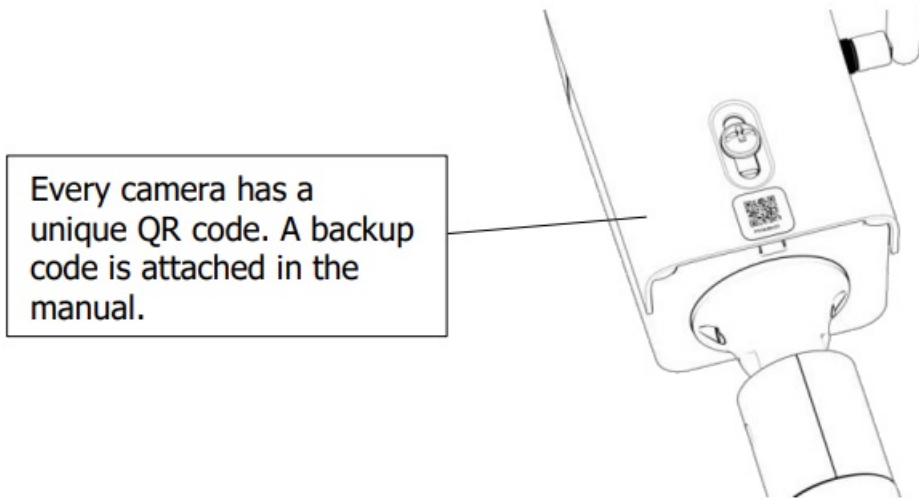
The internal battery is intended for emergency situations. It is important to ensure the camera remains connected to an external power supply in order to function properly.

### Quick Start

Download and install ATLI Cam app before using the product. Scan QR code or search for ATLI Cam on App Store or Google Play.

Locate the QR code on the camera.





### Connect to ATLI Cam app

- a. Open ATLI Cam app, tap on [Add Camera].
- b. Scan the camera QR code on camera.
- c. Allow camera to join WLAN network.
- d. After the screen is loaded, click into the screen to enter camera dashboard.



### Status LED Indication

- LED provides important information on what is going on with your camera.
- Learn below what the different variations of LED lights mean.



LED Status	Blinking Mode	Status
Power Button	SOLID GREEN	Preparing
	BLINK 3 TIMES	Ready to connect
	BLINK EVERY 1 SECOND	WLAN Unconnected
		Recording
	BLINK EVERY 0.5 SECOND	WLAN Connected
		Recording
Battery Indicator	SOLID RED	Charging
	OFF	No external power attached

## Troubleshooting

Problem	Solutions
Camera Offline	<p>Is camera on?</p> <p>→ Make sure camera is turned on Is camera in sleep mode?</p> <p>→ If yes, wake the camera</p> <p>Is camera connected to WLAN?</p> <p>→ If no, connect the camera to a wi-fi with network</p> <p>Restart the camera</p>
	<p>Is camera connected to an external power source?</p> <p>→ If no, keep it plugged in</p>
Connectivity Issue	<p>Unable to connect</p> <p>→ Try connect camera directly under mobile's wi-fi(refer to "connect manually" on app)</p>

## Specification

General	
Lens	6 ASPH Lens
Aperture	F2.8
Video Resolution	1080*1920
Photo Resolution	1520*2688
Pixel Size	2µm*2µm
Focus Mode	Fixed
Focal Length	3 meters- Infinity
Field of View	110o
App Control	iOS/Android
Connectivity	2.4GHz Wi-Fi 802.11 a/b/g/n
Video/Photo	
Video Format	MP4
Photo Format	JPEG
Playback Frame Rate	25FPS
Schedule	Daily/Weekly/Custom
Interval	0.5s – 24hrs
Charging & Built-in Battery	
Battery Type	Li-ion
Battery Capacity	4100mAh
External Power Supply	DC 12V 1A/2A
Storage	
Capacity	Maximum 128GB microSD Card
Storage Card Class	Class 10
Design	
Weatherproof Rating	IP65
Operating Temperature	0 °C- 50 °C
Dimensions	8.8*7.8*16.5 CM
Weight	790g

## Warranty

## Terms & Conditions

- a. This limited warranty applies to physical goods purchased from authorized ATLI retailers.

- b. The warranty period is 365 days from the date of receiving the goods.
- c. During the warranty period, ATLI will repair or replace, products or parts of a product that proves defective because of improper material or workmanship, under normal use and maintenance.

This limited warranty does not cover any problem that is caused by:

- Defects and damages due to loss, theft, fire, water, or a natural disaster
- Failure of damage caused by improper use, carelessness (knocks, dents, crushing, broken crystal/glass, etc.), or accidents
- Failure or damage caused by unjustifiable repair or modification
- Esthetical changes, defects, and damages due to normal aging (e.g. minor scratches on the case and/or crystal)
- Cameras where the serial number is missing or has been erased, altered, falsified, replaced, defaced, or made illegible

To obtain warranty service, please contact us first to determine the problem and the most appropriate solution for you.

**Email:** [service@atliview.com](mailto:service@atliview.com)

**Website:** [atlitimelapse.com](http://atlitimelapse.com)

## **FCC WARNING**


This device complies with part 15 of the FCC Rules. Operation is subject to the following two conditions: (1) this device may not cause harmful interference, and (2) this device must accept any interference received, including interference that may cause undesired operation.

**WARNING:** Any changes or modifications not expressly approved by the party responsible for compliance could void the user's authority to operate the equipment.

**NOTE:** This equipment has been tested and found to comply with the limits for a Class B digital device, pursuant to Part 15 of the FCC Rules.

- These limits are designed to provide reasonable protection against harmful interference in a residential installation.
- This equipment generates, uses, and can radiate radio frequency energy and, if not installed and used in accordance with the instructions, may cause harmful interference to radio communications.
- However, there is no guarantee that interference will not occur in a particular installation. If this equipment does cause harmful interference to radio or television reception, which can be determined by turning the equipment off and on, the user is encouraged to try to correct the interference by one or more of the following measures:
  - Reorient or relocate the receiving antenna.
  - Increase the separation between the equipment and receiver.
  - Connect the equipment into an outlet on a circuit different from that to which the receiver is connected.
  - Consult the dealer or an experienced radio/TV technician for help.
- To maintain compliance with FCC's RF Exposure guidelines, this equipment should be installed and operated with minimum 20cm distance between the radiator and your body: Use only the supplied antenna.

## Documents / Resources

 <p>The operation instructions have to be read before operation and installation. For more information, please contact the camera or the user who has the operation instructions. Thank you.</p>	<p><a href="#">aTli ATL3500 Security Camera</a> [pdf] Instruction Manual ATL3500 Security Camera, ATL3500, Security Camera, Camera</p>
---	--

## References

- [aTli Making Timelapse Easy – ATLI Timelapse](#)
- [User Manual](#)

[Manuals+](#), [Privacy Policy](#)