

## CANDY GWD 496G8-S

# Candy GWD 496G8-S Washer-Dryer User Manual

Model: GWD 496G8-S | Brand: CANDY

## INTRODUCTION

---

This manual provides essential information for the safe and efficient operation of your Candy GWD 496G8-S washer-dryer. Please read these instructions carefully before using the appliance and keep them for future reference.

## SAFETY INFORMATION

---

Your safety and the safety of others are paramount. Always follow the safety precautions outlined in this manual to prevent personal injury or damage to the appliance.

- Ensure the appliance is properly grounded.
- Do not allow children to play with or operate the appliance.
- Keep packaging materials out of reach of children.
- Do not touch the appliance with wet hands.
- Unplug the appliance before cleaning or performing any maintenance.
- Do not attempt to repair the appliance yourself. Contact qualified service personnel.
- Refer to the official safety document for more detailed information: [Safety Information \(PDF\)](#).

## SETUP AND INSTALLATION

---

Proper installation is crucial for the performance and longevity of your washer-dryer. Follow these steps carefully.

### 1. Unpacking and Moving the Appliance

Before installation, remove all transport bolts and packaging materials. Keep these parts for future transport of the appliance. Once the appliance is moved, reinstall the protection parts.

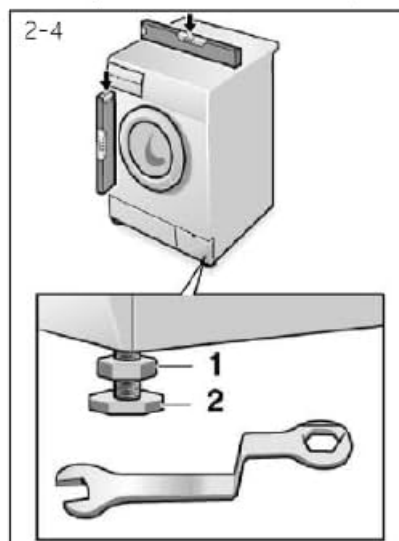


### **Nota: conservare in un luogo sicuro**

Conservare tutte le parti della protezione per il trasporto in un luogo sicuro per un uso successivo. Ogni volta che l'elettrodomestico deve essere spostato, reinstallare prima le parti di protezione.

#### **2.4 Spostamento dell'elettrodomestico**

Se la macchina deve essere spostata in una posizione distante, ricollocare i bulloni di trasporto rimossi prima dell'installazione per evitare danni: il montaggio avviene in ordine inverso.



#### **2.5 Allineamento dell'apparecchio**

Regolare tutti i piedini (Fig. 2-4) per ottenere una posizione perfettamente livellata. Ciò ridurrà al minimo le vibrazioni e quindi il rumore durante l'uso. Verrà ridotta anche l'usura. Si consiglia di utilizzare una livella a bolla d'aria per la regolazione. Il pavimento deve essere il più stabile e piano possibile.

1. Allentare il controdado (1) utilizzando una chiave.
2. Regolare l'altezza ruotando i piedini (2).
3. Serrare il fermo (1) contro l'alloggiamento.

#### **2.6 Allineamento dell'apparecchio**

Fissare correttamente il tubo di scarico dell'acqua alla tubazione. Il tubo deve raggiungere in un punto un'altezza compresa tra 80 e 100 cm sopra la linea inferiore dell'apparecchio! Se possibile, tenere sempre il tubo di scarico fissato alla clip sul retro dell'apparecchio.



### **AVVERTENZA!**

- ▶ Utilizzare solo il set di tubi in dotazione per il collegamento.
- ▶ Non riutilizzare mai vecchi set di tubi!
- ▶ Collegare solo alla fornitura di acqua fredda.
- ▶ Prima del collegamento, controllare se l'acqua è pulita e limpida.

Figure 1: Front view of the Candy GWD 496G8-S washer-dryer with the door open, ready for loading.

## **2. Appliance Leveling**

Adjust all feet (Fig. 2-4) to ensure the appliance is perfectly level. This will reduce vibrations and noise during use. It is advisable to use a spirit level for adjustment. The floor should be as stable and flat as possible.

1. Loosen the lock nut (1) using a wrench.
2. Adjust the feet (2) by rotating them.
3. Tighten the lock nut (1) against the housing.

Figure 2: Diagram illustrating the process of leveling the appliance. It shows the adjustable feet (2) and the lock nut (1) that needs to be loosened and tightened with a wrench.

### 3. Drain Hose Connection

Connect the appliance's drain hose correctly to the drainage pipe. The hose must reach a point between 80 and 100 cm above the bottom line of the appliance. If possible, always keep the drain hose secured with the clip on the back of the appliance.

#### WARNING!

- Use only the set of hoses supplied for connection.
- Never reuse old hose sets.
- Connect only to a cold water supply.
- Before connection, ensure the water is clean and clear.

## OPERATING INSTRUCTIONS

---

This section guides you through the daily operation of your Candy GWD 496G8-S washer-dryer.

### 1. Control Panel Overview

The appliance features an intuitive LED display and button controls for program selection and function activation.



Figure 3: Detailed view of the control panel, showing the program selector dial, LED display, and function buttons.

- **Program Selector Dial:** Rotate to choose from 16 available wash and dry programs.
- **LED Display:** Shows remaining time, selected options, and error codes.

- **Function Buttons:** Activate features like delay start, steam, and spin speed adjustment.

## 2. Loading Laundry

Open the door and load your laundry into the drum. Do not overload the machine. The maximum wash capacity is 9 kg, and the maximum dry capacity is 6 kg.

- Sort laundry by fabric type, color, and degree of soiling.
- Check pockets for small items.
- Close the door firmly until it clicks.

## 3. Adding Detergent and Additives

Pull out the detergent drawer located on the left side of the control panel. Add detergent to the appropriate compartments according to the manufacturer's instructions and the selected program.

## 4. Selecting a Program and Options

1. Turn the program selector dial to choose the desired wash or wash+dry program.
2. Select additional functions using the touch buttons, such as:
  - **Delay Start:** Postpone the start of the cycle for up to 24 hours.
  - **Steam Function:** Helps to refresh clothes and reduce wrinkles.
  - **Spin Speed:** Adjust the spin speed up to 1400 RPM.
3. The LED display will show the estimated program duration.

## 5. Starting and Ending a Cycle

Press the Start/Pause button to begin the selected program. The appliance will automatically proceed through the wash and/or dry cycle. Once the cycle is complete, the display will indicate "End" or similar. Open the door and remove your laundry.

## MAINTENANCE AND CLEANING

---

Regular maintenance ensures optimal performance and extends the lifespan of your appliance.

- **Cleaning the Exterior:** Wipe the exterior surfaces with a soft, damp cloth. Do not use abrasive cleaners.
- **Cleaning the Detergent Drawer:** Periodically remove and clean the detergent drawer under running water to prevent residue buildup.
- **Cleaning the Door Seal:** Wipe the rubber door seal after each wash to remove lint and moisture, preventing mold growth.
- **Cleaning the Filter:** Regularly check and clean the drain pump filter to ensure proper drainage. Refer to the full manual for specific instructions on accessing and cleaning the filter.
- **Descaling:** Use a suitable descaling product periodically, especially in hard water areas, following the product's instructions.

## TROUBLESHOOTING

---

Before contacting customer service, refer to this section for solutions to common issues.

Problem	Possible Cause	Solution
Appliance does not start	Power cord not plugged in; door not closed properly; program not selected; Start/Pause button not pressed.	Check power connection; ensure door is latched; select a program; press Start/Pause.
Water not filling	Water tap closed; water inlet hose kinked; water filter blocked.	Open water tap; straighten hose; clean inlet filter.
Water not draining	Drain hose kinked or blocked; drain pump filter blocked.	Straighten drain hose; clean drain pump filter.
Excessive vibration/noise	Appliance not level; transport bolts not removed; small load.	Level the appliance; ensure all transport bolts are removed; add more laundry for balance.
Laundry not drying properly	Overloaded; wrong drying program selected; lint filter blocked.	Reduce load size; select appropriate drying program; clean lint filter.

If the problem persists after attempting these solutions, please contact customer support.

## TECHNICAL SPECIFICATIONS

Feature	Specification
Model	GWD 496G8-S
Type of Load	Front-loading
Installation Type	Freestanding
Wash Capacity	9 kg
Dry Capacity	6 kg
Maximum Spin Speed	1400 RPM
Spin Efficiency Class	B
Energy Class (Washing)	A
Energy Class (Wash & Dry)	D
Motor Type	Inverter BPM
Number of Programs	16
Special Features	Steam Function, Delay Start (up to 24 hours)
Drum Material	Stainless Steel
Dimensions (H x W x D)	850 mm x 595 mm x 601 mm
Net Weight	66 kg

Feature	Specification
Voltage	220-240 V

## WARRANTY AND SUPPORT

---

### Warranty Information

The product data provided does not include specific warranty details. Please refer to your purchase documentation, sales receipt, or contact your retailer for information regarding the warranty period and terms for your Candy GWD 496G8-S washer-dryer.

### Customer Support

For technical assistance, spare parts, or service requests, please contact Candy customer service. You can usually find contact information on the official Candy website or in your product's packaging.

When contacting support, please have your appliance's model number (GWD 496G8-S) and serial number ready.