



[Manuals.plus](#) /

> [vidaXL](#) /

> vidaXL Electric Retractable Awning (Model 3422038) User Manual

vidaXL 3422038

vidaXL Electric Retractable Awning (Model 3422038) User Manual

Anthracite and Grey, 4 x 3 m

INTRODUCTION

This manual provides essential instructions for the safe assembly, operation, and maintenance of your vidaXL Electric Retractable Awning, model 3422038. Please read all instructions carefully before installation and use to ensure proper function and longevity of the product. Retain this manual for future reference.



Image: The vidaXL Electric Retractable Awning in an extended position over a patio area, providing shade.

SETUP AND INSTALLATION

The installation of this electric retractable awning requires careful attention to detail and adherence to safety guidelines. It is recommended that assembly be performed by at least three people.

Required Tools:

- Screwdriver
- Drill
- Pliers

Assembly Steps:

1. **Unpack Components:** Carefully remove all parts from the packaging and verify against the parts list (not included in this manual, refer to product packaging).
2. **Mounting the Frame:** Securely attach the main frame to a sturdy wall structure. Ensure the mounting surface can support the weight of the awning.
3. **Attaching Retractable Arms:** Connect the retractable arms to the main frame as per the

manufacturer's instructions.

4. **Installing the Fabric Roller:** Carefully slide the awning fabric roller into its designated position on the frame.
5. **Electrical Connection:** Connect the electric motor according to local electrical codes and manufacturer guidelines. If unsure, consult a qualified electrician.



Image: A diagram illustrating the structural components of the electric retractable awning.

Adjustments:

After initial installation, the awning's pitch and extension limits may need adjustment. Use the provided tools to fine-tune the settings for optimal shade coverage and retraction.

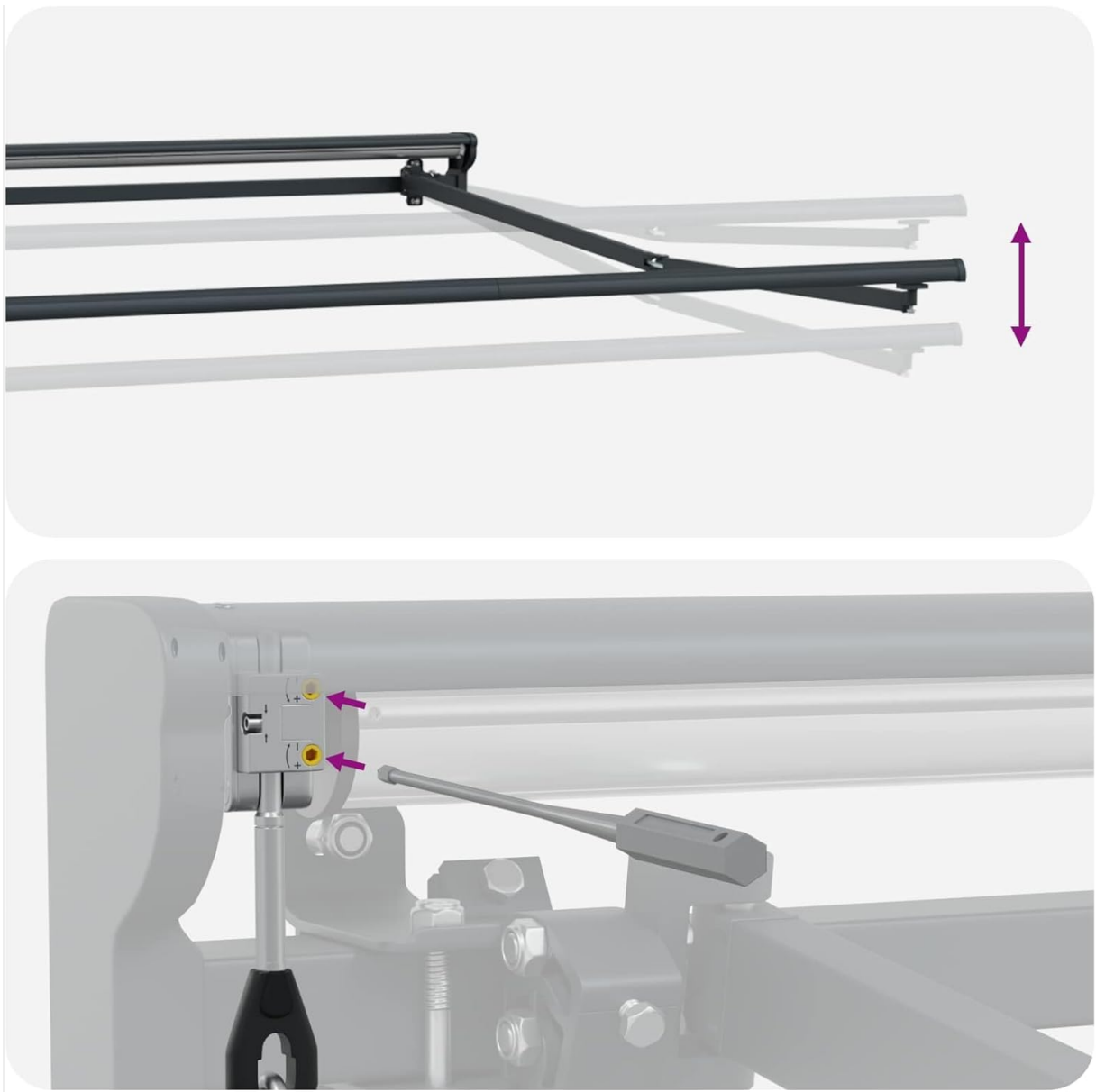


Image: Detailed view of the adjustment points on the awning's arm mechanism, indicated by arrows.

OPERATING INSTRUCTIONS

Your vidaXL Electric Retractable Awning offers both electric and manual control options for convenience.

Electric Operation:

Use the provided remote control to extend or retract the awning. Ensure the remote has working batteries and is within range of the awning's receiver. Press the 'extend' button to deploy the awning and the 'retract' button to store it. The 'stop' button will halt movement at any point.

Manual Override:

In case of power failure or remote control malfunction, the awning can be operated manually using the crank handle. Insert the crank handle into the designated loop and turn it clockwise to extend or counter-clockwise to retract the awning.



Image: Illustration of the manual crank handle and the remote control unit for operating the awning.

MAINTENANCE AND CARE

Regular maintenance ensures the longevity and optimal performance of your awning.

- **Cleaning:** Gently clean the awning fabric with mild soap and water. Avoid harsh chemicals or abrasive brushes that could damage the polyester with PU coating. Rinse thoroughly and allow to air dry completely before retracting.
- **Mechanism Check:** Periodically inspect the retractable arms, roller, and mounting hardware for any signs of wear, corrosion, or loose connections. Tighten any loose fasteners.
- **Weather Protection:** Always retract the awning during strong winds, heavy rain, snow, or other adverse weather conditions to prevent damage to the fabric and mechanism.
- **Winter Storage:** For prolonged periods of non-use, especially during winter, ensure the awning is clean, dry, and fully retracted.

TROUBLESHOOTING

If you encounter issues with your awning, consider the following common solutions:

- **Awning Not Extending/Retracting:**

- Check power supply to the motor.
- Ensure remote control batteries are functional.
- Verify no obstructions are blocking the awning's path.
- Attempt manual operation with the crank handle.

- **Uneven Extension:**

- Inspect the retractable arms for damage or misalignment.
- Check the fabric roller for even winding.

- **Unusual Noises:**

- Lubricate moving parts if squeaking occurs (use silicone-based lubricant).
- Inspect for loose components or debris in the mechanism.

If problems persist, contact customer support for further assistance.

SPECIFICATIONS

Feature	Detail
Model Number	3422038
Material	Polyester with PU coating
Colour	Anthracite / Anthracite
Size (W x D)	4 x 3 m
Item Dimensions (D x W x H)	4D x 3W x 1.65H metres
Item Weight	29.76 Kilograms
Assembly Required	Yes

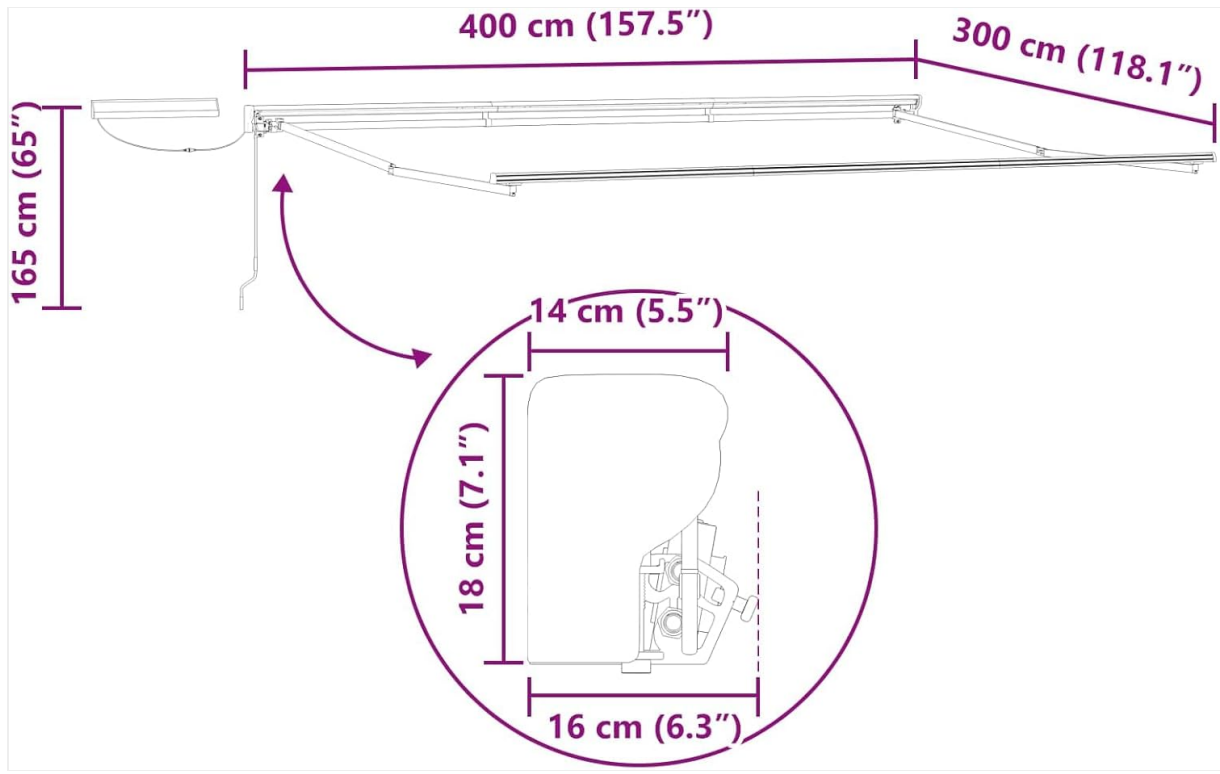


Image: Technical diagram detailing the overall dimensions of the awning, including width, projection, and cassette height.

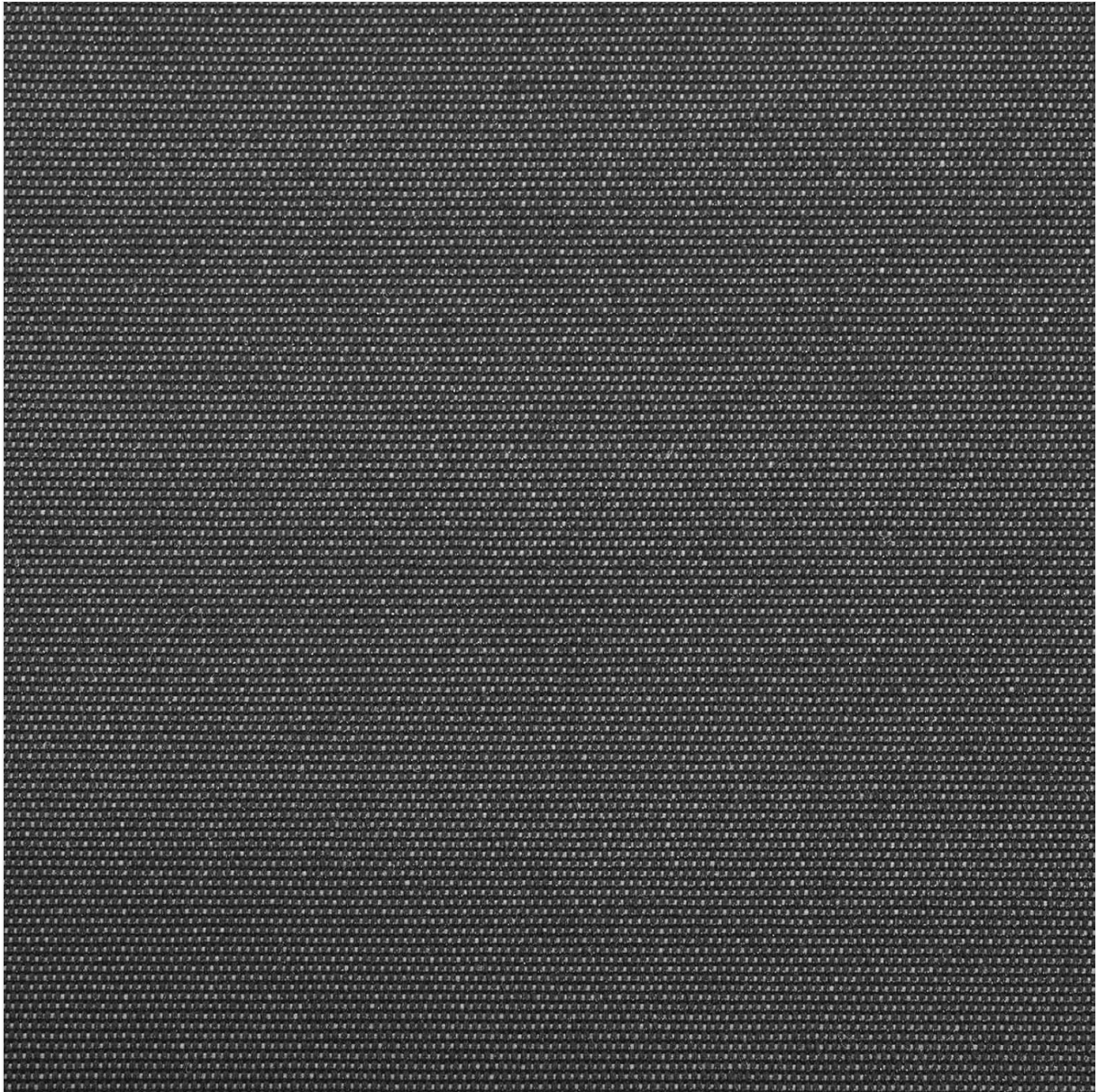


Image: A close-up view of the anthracite-colored polyester fabric, highlighting its texture and PU coating.

WARRANTY INFORMATION

For specific warranty details, please refer to the warranty card included with your product or contact vidaXL customer service. Generally, products are covered against manufacturing defects for a specified period from the date of purchase. Keep your proof of purchase for any warranty claims.

CUSTOMER SUPPORT

If you require further assistance, have questions regarding assembly, operation, or maintenance, or need to report a defect, please contact vidaXL customer support. Contact information can typically be found on the product packaging or the official vidaXL website.